

# PLASTIC PITS

**ALLPROOF**  
INDUSTRIES

**Grate Options:**

- > Cast Iron
- > Aluminium
- > Plastic
- > Wedge Wire SS
- > Laser SS
- > Galv Steel

Rubber Seal to Suit  
Ø100mm Pipe  
**DPS100**  
(Requires hole to be cut)

**Square Grate  
Options:**

- > Cast Iron
- > Aluminium
- > Plastic
- > Wedge Wire SS
- > Laser SS
- > Galv Steel

**DP350x600**  
350W X  
350W X  
600D  
45 Litres

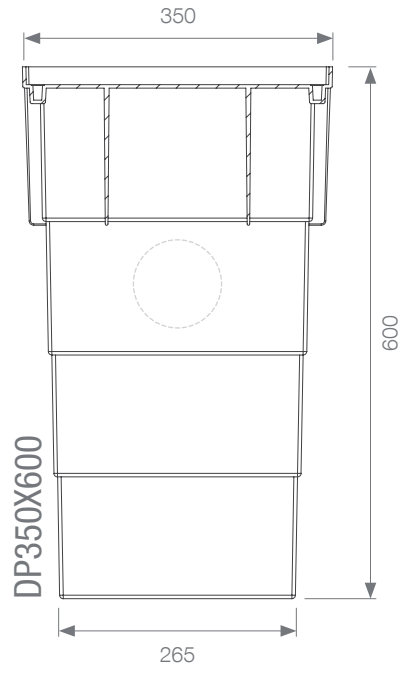
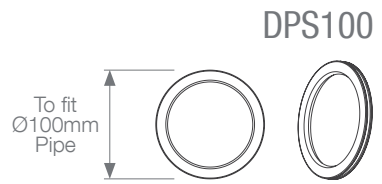
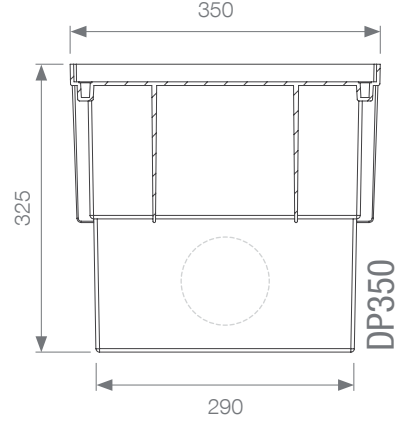
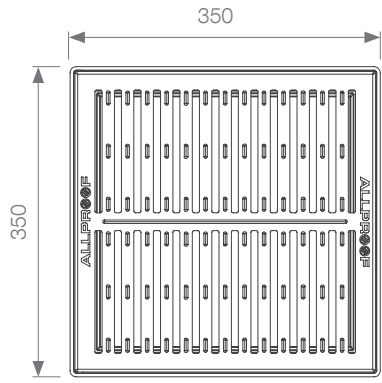
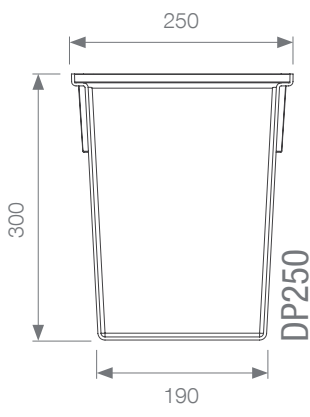
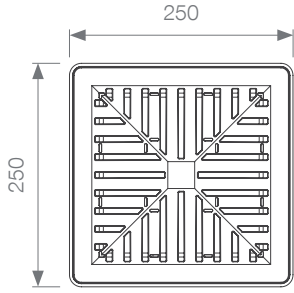
**DP350**  
350W X  
350W X  
325D  
29 Litres

**DP250**  
250W X  
250W X  
300D  
12 Litres

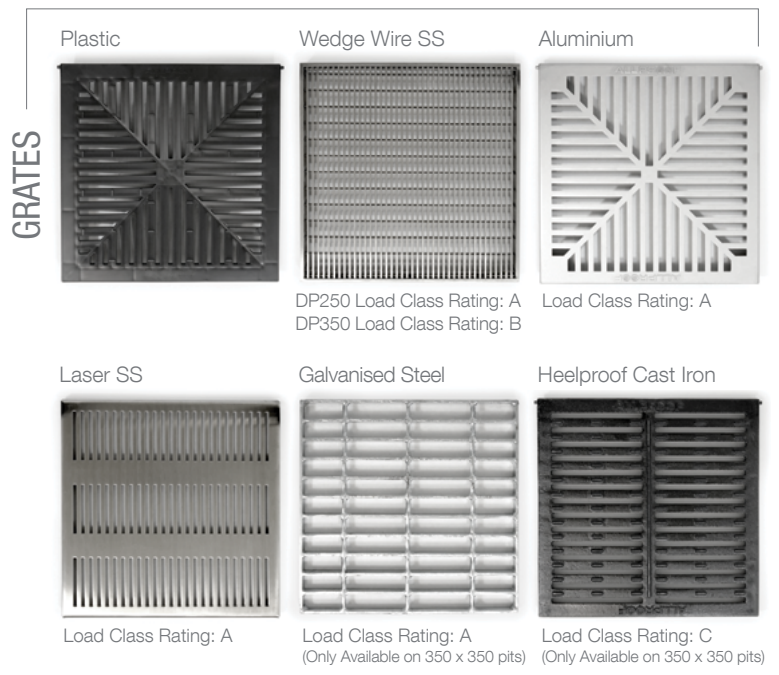
**Grate Options:**

- > Plastic
- > Aluminium
- > Wedge Wire SS
- > Laser SS

# PLASTIC PITS



	Code	Description
350x350 Pits	DP350	350 x 350 x 325 Plastic Pit
	DP350x600	350 x 350 x 600 Plastic Pit
	DP350GB	350 x 350 Black Plastic Grate
	DP350GCI	350 x 350 Heelproof Cast Iron Grate
	DP350GAL	350 x 350 Aluminium Grate
	DP350GWW B	350 x 350 SS Wedge Wire Grate
	DP350GLAS	350 x 350 SS Laser Grate
	DP350GGS	350 x 350 Galvanised Steel Grate
	DP350CSS B	350 x 350 Cover Stainless Steel
250x250 Pits	DP250	250 x 250 x 300 Plastic Pit
	DP250GB	250 x 250 Black Plastic Grate
	DP250GAL	250 x 250 Aluminium Grate
	DP250GWW	250 x 250 SS Wedge Wire Grate
	DP250GLAS	250 x 250 SS Laser Cut Grate
	DPS100	100mm Drainage Pit Seal



## PLASTIC DRAINAGE PITS

- > Economic pit solution.
- > Grate options: Heelproof CI, WW, Plastic Aluminium, LAS & Galvanised Steel.
- > Easy install rubber gasket seal for Ø100mm pipe outlet cut using a Ø121mm saw.
- > 12 - 45 litre volume.



Load Class Rating: AS3996