



ALLPROOF
INDUSTRIES

POLYMER CONCRETE

COMMERCIAL LINEAR
DRAINAGE SYSTEMS

allproof.com

Commercial Linear Drainage



Contents

Polymer Concrete	1
Load Classes	1
PC Channel Options (100mm Clear Opening)	2
Grates and System Codes (100mm Clear Opening)	3
PC Channel & Grate (200mm Clear Opening)	7
PC Pits	9
Install Guide	11

Polymer Concrete

Allproof Industries PC Range utilises polymers to supplement cement as the binder material, this creates a durable product that is highly resistant to a wide variety of chemicals and has extremely low permeability, making it excellent for commercial linear drainage installation. Our commercial linear drainage is the ideal solution to all heavy duty channel requirements. Available in a range of sizes and grate options, and available rated from load class A to E.

Lock Downs

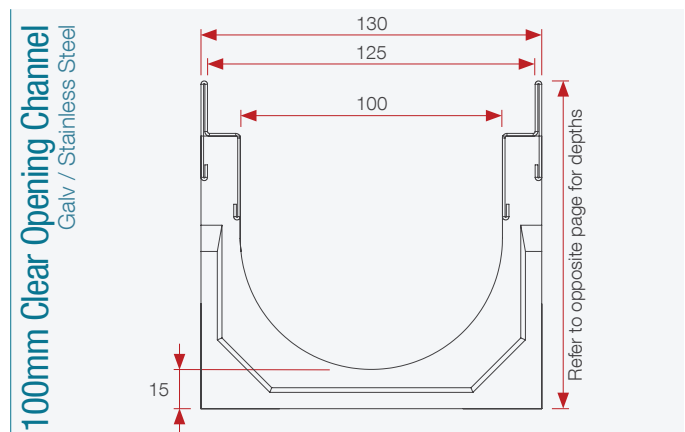
All PC Channels come with lock down bars and bolts. Bolt Head will differ depending on grate used. Bars lock into place by locating into pre-formed slots in the channel.



Load Classes - AS3996

- A** - Pedestrian
330Kg Wheel Load, 10kN Ultimate Load Design
- B** - Light Vehicle
2670Kg Wheel Load, 80kN Ultimate Load Design
- C** - Light Commercial
5000Kg Wheel Load, 150kN Ultimate Load Design
- D** - Heavy Commercial
8000Kg Wheel Load, 240kN Ultimate Load Design
- E** - Extra Heavy
13700Kg Wheel Load, 400kN Ultimate Load Design

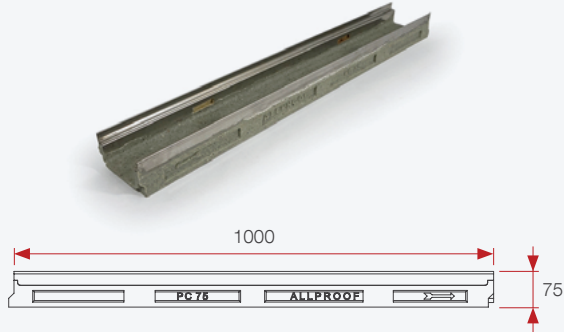
*Note concrete surround requirements stated on back cover to achieve load classes above in conjunction with grate specifications.



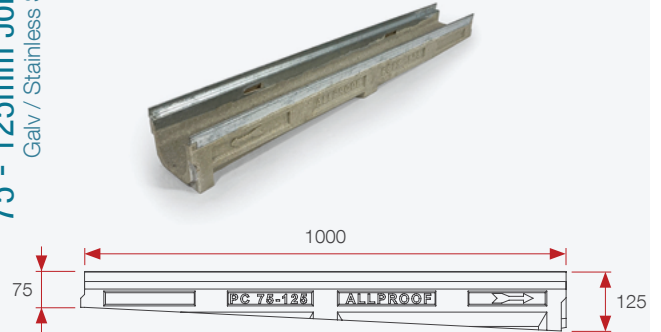
PC Channel Options (100mm Clear Opening)

Visit allproof.com for full spec sheets on all Channel Options

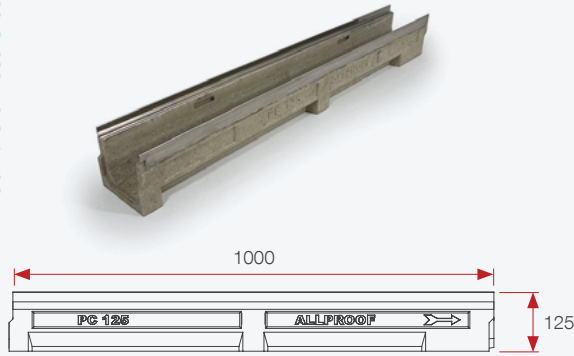
75mm Channel
Galv / Stainless Steel



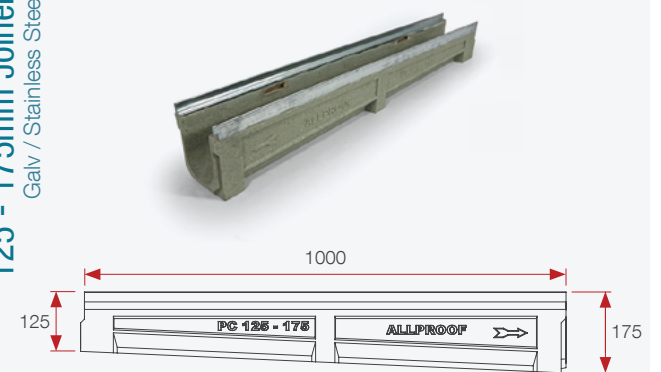
75 - 125mm Joiner
Galv / Stainless Steel



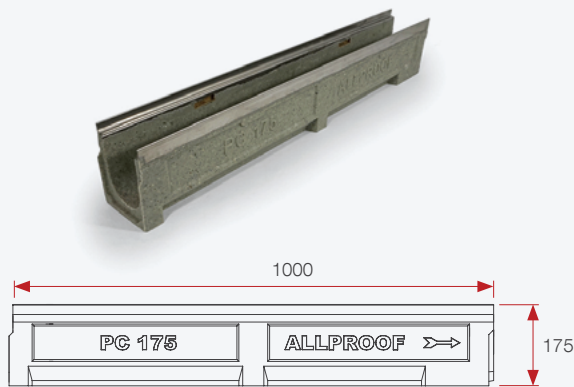
125mm Channel
Galv / Stainless Steel



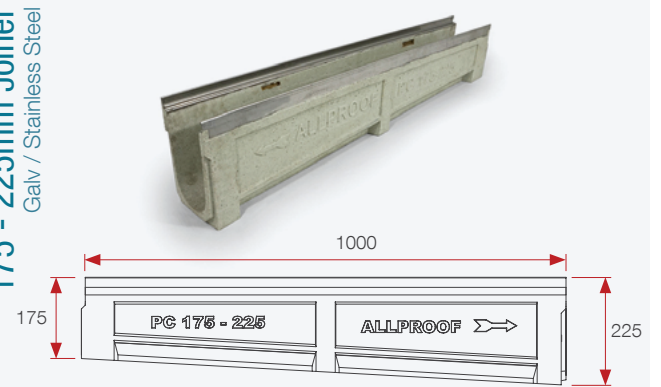
125 - 175mm Joiner
Galv / Stainless Steel



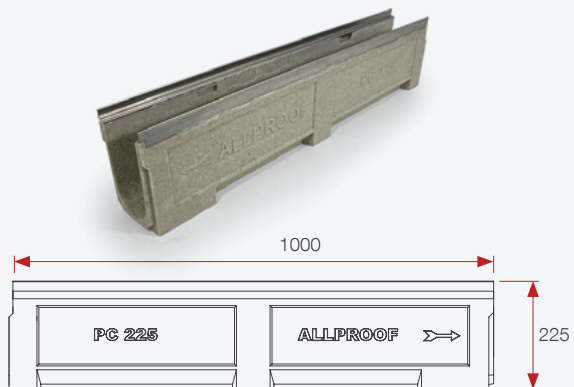
175mm Channel
Galv / Stainless Steel



175 - 225mm Joiner
Galv / Stainless Steel



225mm Channel
Galv / Stainless Steel



Inline Sump
Galv / Stainless Steel



*Note Galvanised steel channels should not be used in conjunction with asphalt, bitumen or acid washed surfaces as chemical reactions resulting in premature rust corrosion may occur.

Grates and System Codes

Wedge Wire (WW)



Open Area: 47%
Standard Lengths: 1000mm
316 Stainless Steel
*Load class A as standard, classes B - D available on request.

Code	Description
PC75SSWW	75mm PC SS Edge Wedgewire Grate
PC75-125SSWW	75-125mm SS Edge Joiner Wedgewire Grate
PC125SSWW	125mm PC SS Edge Wedgewire Grate
PC125-175SSWW	125-175mm SS Edge Joiner Wedgewire Grate
PC175SSWW	175mm PC SS Edge Wedgewire Grate
PC175-225SSWW	175-225mm SS Edge Joiner Wedgewire Grate
PC225SSWW	225mm PC SS Edge Wedgewire Grate
PCSUMPSSWW	600mm PC Sump SS Edge Wedgewire Grate

Laser (LAS)



Open Area: 33%
Standard Lengths: 1000mm
304 Stainless Steel
316 stainless steel available on request.

Code	Description
PC75SSLAS	75mm PC SS Edge LAS 304 SS Grate
PC75-125LAS	75-125mm SS Edge Joiner LAS 304 SS Grate
PC125SSLAS	125mm PC SS Edge LAS 304 SS Grate
PC125-175LAS	125-175mm SS Edge Joiner LAS 304 SS Grate
PC175SSLAS	175mm PC SS Edge LAS 304 SS Grate
PC175-225LAS	175-225mm SS Edge Joiner LAS 304 SS Grate
PC225SSLAS	225mm PC SS Edge LAS 304 SS Grate
PCSUMPLAS	600mm PC Sump SS Edge LAS 304 SS Grate

Ladder (LAD)



Open Area: 64%
Standard Lengths: 1000mm
304 Stainless Steel

Code	Description
PC75SSLAD	75mm PC SS Edge Ladder Grate
PC75-125SSLAD	75-125mm SS Edge Joiner Ladder Grate
PC125SSLAD	125mm PC SS Edge Ladder Grate
PC125-175SSLAD	125-175mm SS Edge Joiner Ladder Grate
PC175SSLAD	175mm PC SS Edge Ladder Grate
PC175-225SSLAD	175-225mm SS Edge Joiner Ladder Grate
PC225SSLAD	225mm PC SS Edge Ladder Grate
PCSUMPSSLAD	600mm PC Sump SS Edge Ladder Grate

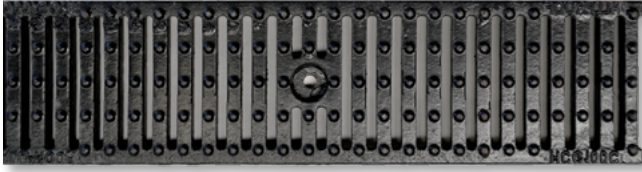
AS4586 Slip Resistance Classification:

Load Rating:

Price Guide:

Heelproof:

Heelproof Cast Iron (HCI)



Open Area: 31%

Standard Lengths: 500mm

*Note Cast Iron Grates supplied painted black. Oxidisation can occur naturally, is aesthetic, and will not impact on grate performance.

Stainless Steel Channel

Code	Description
PC75SSHCI	75mm PC SS Edge Heelproof CI Grate
PC75-125SSHCI	75-125mm SS Edge Joiner Heelproof CI Grate
PC125SSHCI	125mm PC SS Edge Heelproof CI Grate
PC125-175SSHCI	125-175mm SS Edge Joiner Heelproof CI Grate
PC175SSHCI	175mm PC SS Edge Heelproof CI Grate
PC175-225SSHCI	175-225mm SS Edge Joiner Heelproof CI Grate
PC225SSHCI	225mm PC SS Edge Heelproof CI Grate
PCSUMPSSHCI	600mm PC Sump SS Edge Heelproof CI Grate

Galv Channel

Code	Description
PC75HCI	75mm PC GS Edge Heelproof CI Grate
PC75-125HCI	75-125mm GS Edge Joiner Heelproof CI Grate
PC125HCI	125mm PC GS Edge Heelproof CI Grate
PC125-175HCI	125-175mm GS Edge Joiner Heelproof CI Grate
PC175HCI	175mm PC GS Edge Heelproof CI Grate
PC175-225HCI	175-225mm GS Edge Joiner Heelproof CI Grate
PC225HCI	225mm PC GS Edge Heelproof CI Grate
PCSUMPHCI	600mm PC Sump GS Edge Heelproof CI Grate

Cast Iron (CI)



Open Area: 32%

Standard Lengths: 500mm

*Note Cast Iron Grates supplied painted black. Oxidisation can occur naturally, is aesthetic, and will not impact on grate performance.

Stainless Steel Channel

Code	Description
PC75SSCI	75mm PC SS Edge CI Grate
PC75-125SSCI	75-125mm SS Edge Joiner CI Grate
PC125SSCI	125mm PC SS Edge CI Grate
PC125-175SSCI	125-175mm SS Edge Joiner CI Grate
PC175SSCI	175mm PC SS Edge CI Grate
PC175-225SSCI	175-225mm SS Edge Joiner CI Grate
PC225SSCI	225mm PC SS Edge CI Grate
PCSUMPSSCI	600mm PC Sump SS Edge CI Grate

Galv Channel

Code	Description
PC75CI	75mm PC GS Edge CI Grate
PC75-125CI	75-125mm GS Edge Joiner CI Grate
PC125CI	125mm PC GS Edge CI Grate
PC125-175CI	125-175mm GS Edge Joiner CI Grate
PC175CI	175mm PC GS Edge CI Grate
PC175-225CI	175-225mm GS Edge Joiner CI Grate
PC225CI	225mm PC GS Edge CI Grate
PCSUMPCI	600mm PC Sump GS Edge CI Grate

AS4586 Slip
Resistance Classification:



Load Rating:



Price Guide:



Heelproof:



Grates and System Codes

Pressed Stainless (SS)



Open Area: 30%
Standard Lengths: 1000mm
 304 Stainless Steel

Code	Description
PC75SS	75mm PC SS Edge SS Grate
PC75-125SS	75-125mm SS Edge Joiner SS Grate
PC125SS	125mm PC SS Edge SS Grate
PC125-175SS	125-175mm SS Edge Joiner SS Grate
PC175SS	175mm PC SS Edge SS Grate
PC175-225SS	175-225mm SS Edge Joiner SS Grate
PC225SS	225mm PC SS Edge SS Grate
PCSUMPSS	600mm PC Sump SS Edge SS Grate

Pressed Galv (GS)



Open Area: 30%
Standard Lengths: 1000mm

*Note Galvanised steel grates should not be used in conjunction with asphalt, bitumen or acid washed surfaces as chemical reactions resulting in premature rust corrosion may occur.

Code	Description
PC75GS	75mm PC GS Edge GS Grate
PC75-125GS	75-125mm GS Edge Joiner GS Grate
PC125GS	125mm PC GS Edge GS Grate
PC125-175GS	125-175mm GS Edge Joiner GS Grate
PC175GS	175mm PC GS Edge GS Grate
PC175-225GS	175-225mm GS Edge Joiner GS Grate
PC225GS	225mm PC GS Edge GS Grate
PCSUMPGS	600mm PC Sump GS Edge GS Grate

Galv Offset Slot (GOSL)



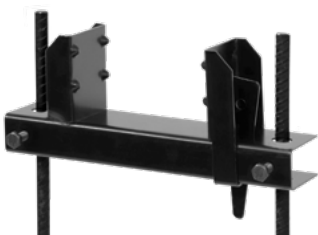
Open Area: 14%
Standard Lengths: 1000mm

Stainless steel available on request.

*Note Galvanised steel grates should not be used in conjunction with asphalt, bitumen or acid washed surfaces as chemical reactions resulting in premature rust corrosion may occur.

Code	Description
PC75GOSL	75mm PC GS Offset Slot
PC75-125GOSL	75-125mm PC GS Joiner Offset Slot
PC125GOSL	125mm PC GS Offset Slot
PC125-175GOSL	125-175mm PC GS Joiner Offset Slot
PC175GOSL	175mm PC GS Offset Slot
PC175-225GOSL	175-225mm PC GS Joiner Offset Slot
PC225GOSL	225mm PC GS Offset Slot

Channel Clamp (PC CLAMP)



Note: Rebar supplied by others and not included as part of the PC CLAMP

Code	Description
PC CLAMP100	PC Clamp to Suit 100mm Clear Opening Channel

AS4586 Slip Resistance Classification:

Load Rating:

Price Guide:

Heelproof:

Galv Centre Slot (GCSL)



Open Area: 14%

Standard Lengths: 1000mm

Stainless steel available on request.

*Note Galvanised steel grates should not be used in conjunction with asphalt, bitumen or acid washed surfaces as chemical reactions resulting in premature rust corrosion may occur.

Code	Description
PC75GCSL	75mm PC GS Centre Slot
PC75-125GCSL	75-125mm PC GS Joiner Centre Slot
PC125GCSL	125mm PC GS Centre Slot
PC125-175GCSL	125-175mm PC GS Joiner Centre Slot
PC175GCSL	175mm PC GS Centre Slot
PC175-225GCSL	175-225mm PC GS Joiner Centre Slot
PC225GCSL	225mm PC GS Centre Slot

Glass Filled Nylon (GFN)



Open Area: 28%

Standard Lengths: 500mm

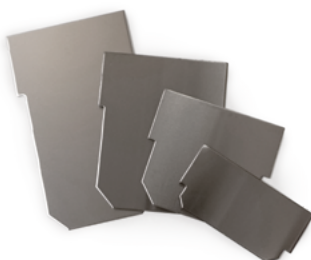
Stainless Steel Channel

Code	Description
PC75SSGFN	75mm PC SS Edge GFN Grate
PC75-125SSGFN	75-125mm PC SS Edge Joiner GFN Grate
PC125SSGFN	125mm PC SS Edge GFN Grate
PC125-175SSGFN	125-175mm PC SS Edge Joiner GFN Grate
PC175SSGFN	175mm PC SS Edge GFN Grate
PC175-225SSGFN	175-225mm PC SS Edge Joiner GFN Grate
PC225SSGFN	225mm PC SS Edge GFN Grate
CSUMPSSGFN	600mm PC Sump PC SS Edge GFN Grate

Galv Channel

Code	Description
PC75GFN	75mm PC Galv Edge GFN Grate
PC75-125GFN	75-125mm PC Galv Edge Joiner GFN Grate
PC125GFN	125mm PC Galv Edge GFN Grate
PC125-175GFN	125-175mm PC Galv Edge Joiner GFN Grate
PC175GFN	175mm PC Galv Edge GFN Grate
PC175-225GFN	175-225mm PC Galv Edge Joiner GFN Grate
PC225GFN	225mm PC Galv Edge GFN Grate
PCSUMPGFN	600mm PC Sump PC Galv Edge GFN Grate

End Caps (EC SS)



Code	Description
PC75EC SS	75mm PC End Cap
PC125EC SS	125mm PC End Cap
PC175EC SS	175mm PC End Cap
PC225EC SS	225mm PC End Cap

AS4586 Slip
Resistance Classification:



Load Rating:



Price Guide:



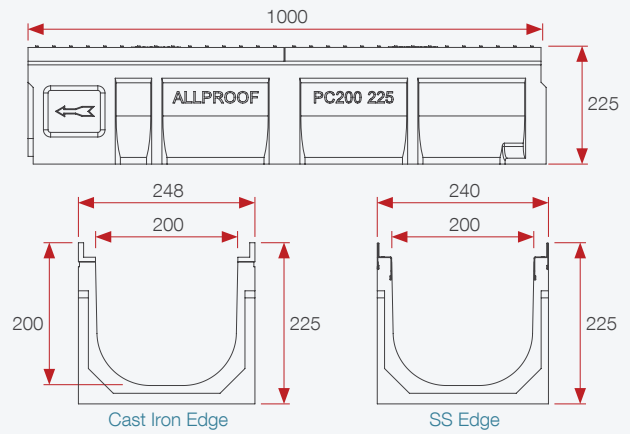
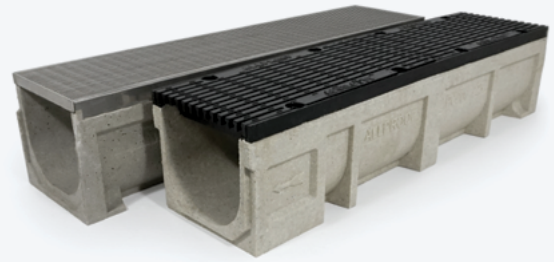
Heelproof:



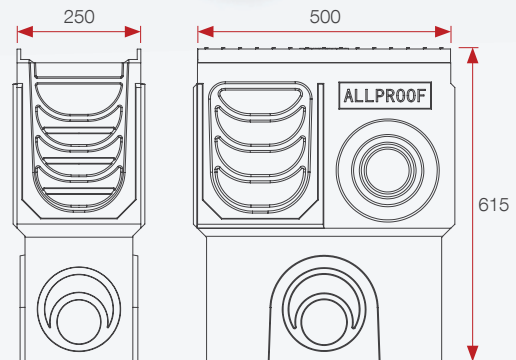
PC Channel & Grate (200mm Clear Opening)



225mm Channel
Cast Iron / Stainless Steel



200mm Clear Opening Inline Sump
Cast Iron / Stainless Steel



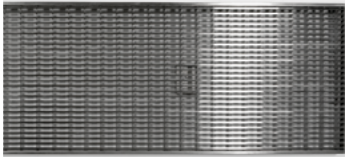
End Cap



Code	Description
PC200 225EC SS	200 225mm PC End Cap

Visit allproof.com for full spec sheets on all Channel Options

Wedge Wire (WW)



Open Area: 47%
Standard Lengths: 1000mm
316 Stainless Steel

*Load class B as standard, classes C - D available on request.

Code	Description
PC200 225SSWW	PC200 225mm PC SS Edge WW Grate
PCSUMP200SSWW	PC200 Inline Sump SS Edge WW Grate

Laser (LAS)



Open Area: 29%
Standard Lengths: 1000mm
304 Stainless Steel

Code	Description
PC200 225SSLAS	PC200 225mm PC SS Edge LAS Grate
PCSUMP200SSLAS	PC200 Inline Sump SS Edge LAS Grate

Heelproof Cast Iron (HCI)



Open Area: 22%
Standard Lengths: 500mm

Code	Description
PC200 225HCI	PC200 225mm PC CI Edge Heelproof CI Grate
PCSUMP200HCI	PC200 Inline Sump CI Edge Heelproof CI Grate

*Note Cast Iron Grates supplied painted black. Oxidisation can occur naturally, is aesthetic, and will not impact on grate performance.

Cast Iron (CI)



Open Area: 31%
Standard Lengths: 500mm

Code	Description
PC200 225CI	PC200 225mm PC CI Edge Cast Iron Grate
PCSUMP200CI	PC200 Inline Sump CI Edge Cast Iron Grate

*Note Cast Iron Grates supplied painted black. Oxidisation can occur naturally, is aesthetic, and will not impact on grate performance.

Ladder (LAD)



Open Area: 78%
Standard Lengths: 1000mm

Code	Description
PC200 225SSLAD	PC200 225mm PC SS Edge LAD Grate
PCSUMP200SSLAD	PC200 Inline Sump SS Edge LAD Grate

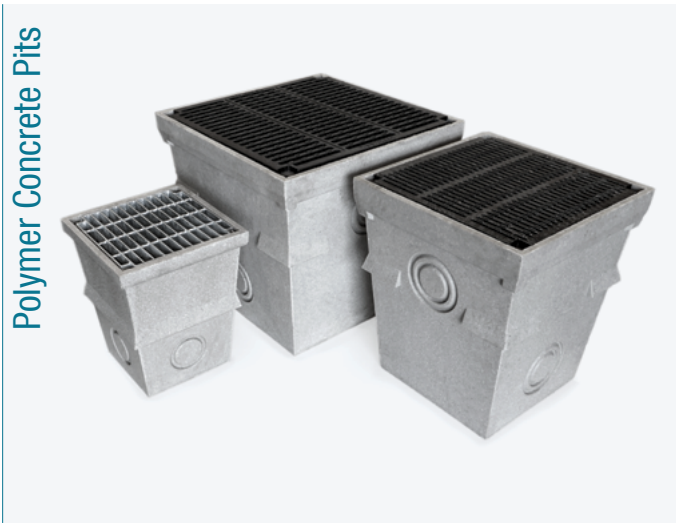
AS4586 Slip Resistance Classification:

Load Rating:

Price Guide:

Heelproof:

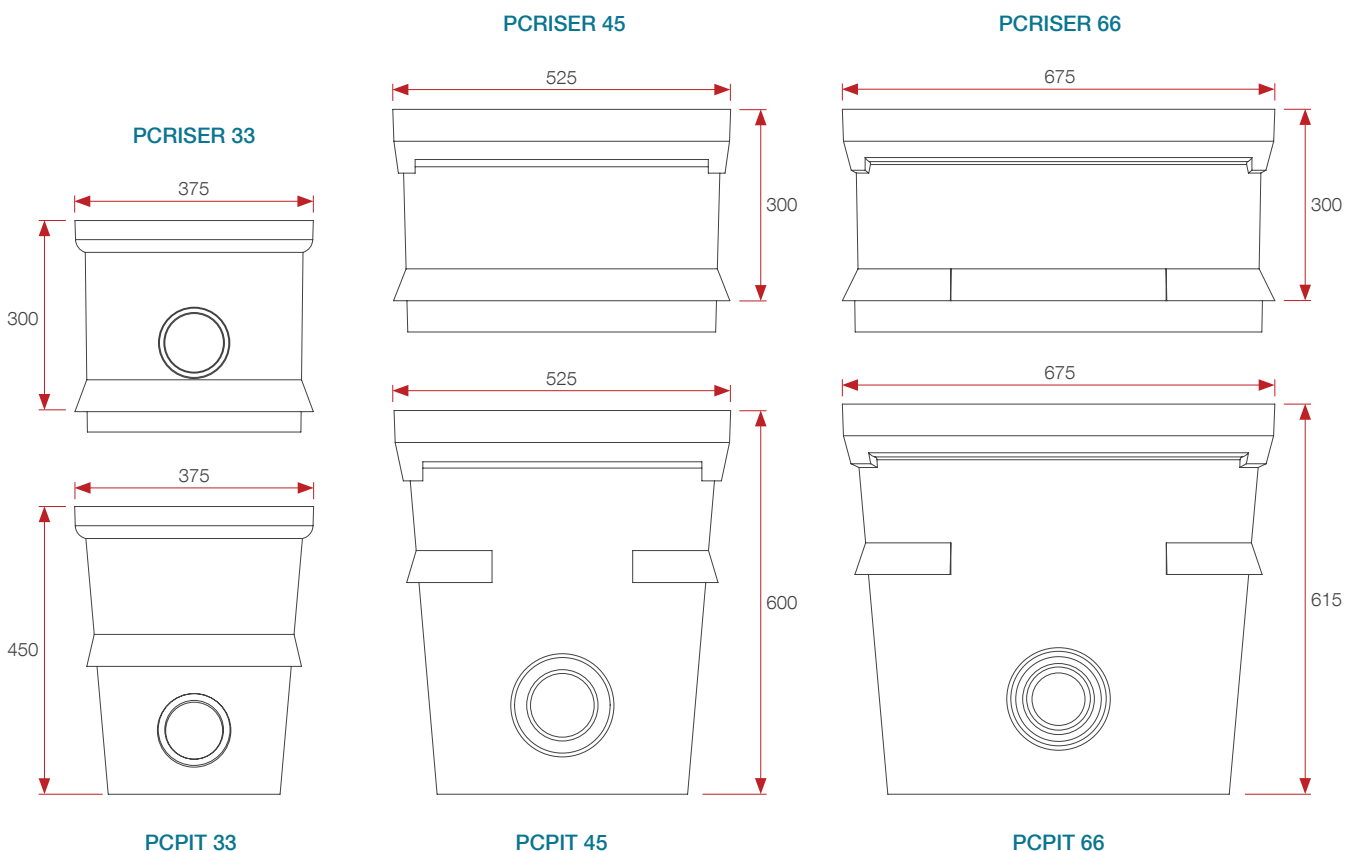
PC Pits



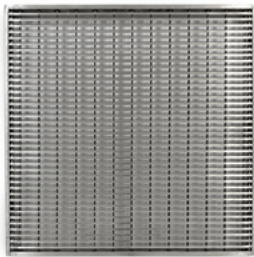
Polymer Concrete Pits



Code	Description
PITS	
PCPIT 33	PC Pit 375mm Wide X 450mm Deep
PCPIT 45	PC Pit 525mm Wide X 600mm Deep
PCPIT 66	PC Pit 675mm Wide X 615mm Deep
RISERS	
PCRISER 33	PC Pit Riser 375mm Wide X 300mm High
PCRISER 45	PC Pit Riser 525mm Wide X 300mm High
PCRISER 66	PC Pit Riser 675mm Wide X 300mm High



Wedge Wire (WW)



Fits: Pit33, Pit45 & Pit66

Open Area: 30%

316 Stainless Steel

*Load class B as standard, load classes up to D available on request

**Lock-downs available on request

Code	Description
PIT33 WW B	PC Pit 33 WW SS Grate Load Class B
PIT45 WW B	PC Pit 45 WW SS Grate Load Class B
PIT66 WW B	PC Pit 66 WW SS Grate Load Class B

Laser (LAS)



Fits: Pit33

Open Area: 12%

304 Stainless Steel

**Lock-downs available on request

Code	Description
PIT33 LAS	PC Pit 33 Las Grate

Heelproof Cast Iron (HCI)



Fits: Pit45

Open Area: 29%

Code	Description
PIT45 CI	PC Pit 45 Cast Iron Grate

*Note Cast Iron Grates supplied painted black. Oxidisation can occur naturally, is aesthetic, and will not impact on grate performance.

Cast Iron (CI)



Fits: Pit33, Pit66

Open Area: 40%

Code	Description
PIT33 CI	PC Pit 33 Cast Iron Grate
PIT66 CI	PC Pit 66 Cast Iron Grate

*Note Cast Iron Grates supplied painted black. Oxidisation can occur naturally, is aesthetic, and will not impact on grate performance.

Galv (GALV)

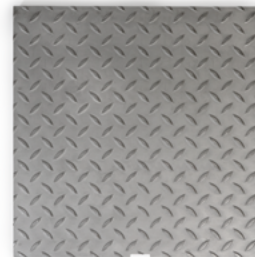


Fits: Pit33

Open Area: 76%

Code	Description
PIT33 GALV	PC Pit 33 Galv Steel Grate

Cover Stainless Steel (CSS)



Fits: Pit33, Pit45, Pit66

Open Area: 0%

Code	Description
PIT33 CSS B	PC Pit 33 Cover SS Class B
PIT45 CSS B	PC Pit 45 Cover SS Class B
PIT66 CSS B	PC Pit 66 Cover SS Class B

Visit allproof.com for full spec sheets on all Pit Options

AS4586 Slip Resistance Classification:

Load Rating:

Price Guide:

Heelproof:

Install Guide

Installation

Install sump. Connect and seal outlet plumbing.

Working away from the outlet, utilise PC CLAMP (see install details online) or mortar/site concrete to haunch the channel into position preventing movement prior to concrete pour.

Ensure correct lines using a string line or similar.

It is important to support the channel from the weight of the setting concrete by having either the original grates, or appropriate bracing in place.

Protect grates from concrete contamination during installation by wrapping in plastic or masking tape. Alternatively, wooden sections (such as bracing) may be used.

Make sure concrete is poured evenly to avoid shifting during the process.

Please note: acid from exposed aggregate and bitumen may cause corrosion of grates. Steps should be taken to protect grates during installation and ensure ground surface finishes are free of acidic runoff prior to grate installation.

Cutting PC Channel & Grate

On site mitre cuts are used to form corners, junctions and irregular lengths.

Channels are cut with a diamond tip saw, grates are best cut with a grinder and suitable disc.

While mitred grates can be used, it is not suggested for heavy loads - in this case, tee joints are the better option.

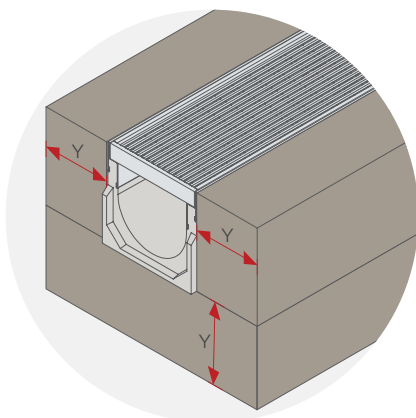
Pipe holes are best cut using an appropriately sized diamond tip hole saw - do not hammer directly onto material - damage to the channel may occur.

Joints can be sealed with suitable flexible sealant.

Minimum Concrete Surround Dimensions

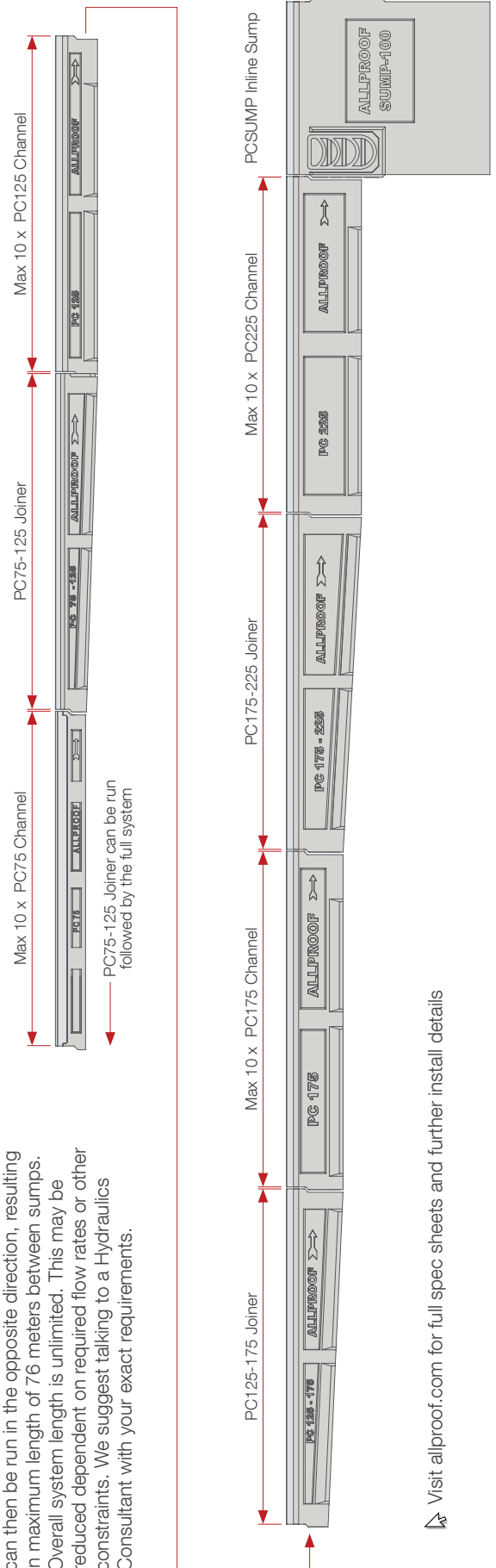
Load Class	Y
A-B	100mm
C	150mm
D	200mm
E	250mm

Some applications may require an increase in these dimensions and reinforcement. Engineering advice is advised, and it is the customers responsibility to ensure correct design of the installation.



The System

The system design accommodates runs of up to 43 meters, terminating at a sump. A mirror image can then be run in the opposite direction, resulting in maximum length of 76 meters between sumps. Overall system length is unlimited. This may be reduced dependent on required flow rates or other constraints. We suggest talking to a Hydraulics Consultant with your exact requirements.



Visit allproof.com for full spec sheets and further install details