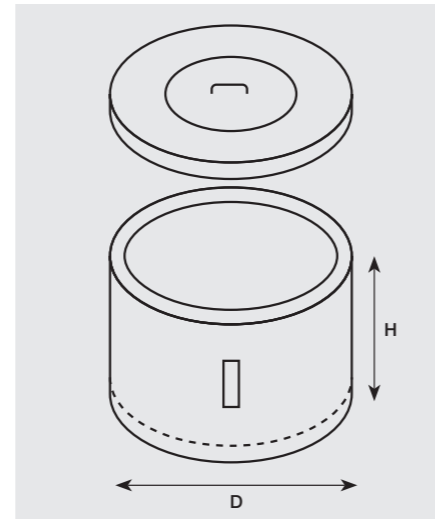


## Telco and Electrical Access Concrete Chambers

### Rural Chambers

Specific for rural installations, these round pulling pits are quickly and easily installed off the road. Standard concrete lids can be supplied.

Humes Item	Size (Nominal) Diameter x Height (mm)	Configuration
04826	1050 x 535	Chamber and Lid
04829	1050 x 535	Chamber only
04827	1050 x 100	Lid only



### Cover Sets

Humes offer a full range of cover sets for all our concrete chambers. These are all Standards Marked to AS3996:2006, Class B for footway applications and Class D for roadway applications. Security bolts are available.



### Associated products

Humes stock a wide range of products to complete your network infrastructure projects:

- Plastic access chambers: Humes modular and Channel brands
- Ducting – Polyethylene and PVC
- Fittings – Electrofusion and PVC
- Humebond Epoxy
- Warning Tapes
- Precast Cabinet Bases



For further technical details or advice freephone 0800 502 112 or visit [www.humes.co.nz](http://www.humes.co.nz)

Buyers and users of the products described in this brochure must make their own assessment of the suitability and appropriateness of the products for their particular use and the conditions in which they will be used. All queries regarding product suitability, purpose or installation should be directed to the nearest Humes Sales Centre for service and assistance. Fletcher Concrete and Infrastructure Limited 2009. Printed 05/13.



## Concrete Chambers



Reinforced concrete telco pits & jointing chambers for footpath and roadway applications

0800 502 112  
[www.humes.co.nz](http://www.humes.co.nz)

# Telco and Electrical Access Concrete Chambers

Humes manufacture a range of reinforced concrete chambers for use in many applications. Available as one-piece precast units and precast panel assemblies, Humes concrete chambers have CNSP approval for installation into Chorus NZ networks.

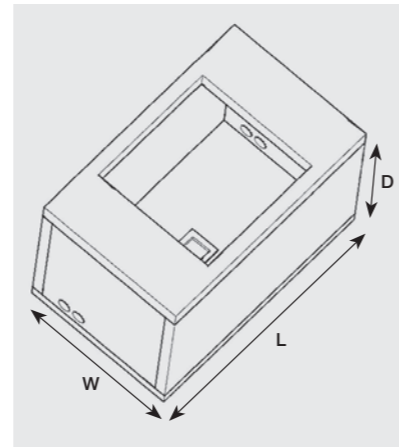
Drawings and installation guidance can be obtained from the Humes website or any Humes Sales Centre.

## Applications

- Telecommunications access chambers
- Electrical access chambers
- Railway signalling networks
- Valve chambers
- General access chambers

## Key Features & Benefits

- CNSP (Chorus Network Specified Product) for installation into Chorus NZ networks
- Available for both footway and roadway load requirements
- A range of covers for all sizes and loadings
- Chambers can be custom manufactured for specialist applications, sizes and soft spot locations
- Suitable for concrete, cast iron and aluminium lids
- Panel construction pits are quick and easy to assemble and install



## Construction

- Precast panel units and one piece assemblies
- Steel reinforced lids and chambers
- Manufactured to Precast Standard NZS 3109
- Fitted with external lifting anchors for easy onsite handling



# Footway Chambers

Suitable for installation in footpath or non-roadway areas where loadings of up to 80kN occur. Solid concrete and reducer lids available.

## Footway – AS3996 Class B

Chamber					Cover Set: Composite		Cover Set: Aluminium		Concrete Reducer Lid		
Item Code	Size (Nominal Internal) L x W x D (mm)	Size (Nominal External) L x W x D (mm)	Weight (kg)	Construction	Item Code	Size (Nominal Internal) L x W x D (mm)	Item Code	Size (Nominal Internal) L x W x D (mm)	Item Code	Size (Nominal External) L x W x D (mm)	Weight (kg)
04806	550 x 550 x 590	630 x 630 x 630	180	1 Piece	90800	600 x 600	81197	600 x 600			
04817	1220 x 550 x 550	1370 x 700 x 625	640	Panel	90803	1200 x 600	81196	1200 x 600			
04700	1220 x 550 x 900	1370 x 700 x 975	825	Panel	90803	1200 x 600	81196	1200 x 600			
04698	1200 x 900 x 1200	1400 x 1100 x 1500	2057	1 Piece	90803	1200 x 600	81196	1200 x 600	04696	1400 x 1100	500
04697	1200 x 900 x 1700	1400 x 1100 x 2000	2753	1 Piece	90803	1200 x 600	81196	1200 x 600	04696	1400 x 1100	500
04824	2050 x 550 x 550	2200 x 700 x 625	860	Panel			96509	2100 x 600			
04818	2050 x 1225 x 800	2200 x 1375 x 1000*	2200*	Panel	90813	1200 x 1200	81195	1200 x 1200			
04820	2700 x 1400 x 1400	2850 x 1550 x 1625*	4260*	Panel	90813	1200 x 1200	81195	1200 x 1200			

\*Weight and external dimensions include concrete reducer lid.

# Roadway Chambers

Suitable for installation where vehicle loadings of HN:HO-72 are required. Solid concrete and reducer lids available.

## Roadway – AS3996 Class D

Chamber					Cover Set: Ductile Iron			Cover Set: Aluminium		
Item Code	Size (Nominal Internal) L x W x D (mm)	Size (Nominal External) L x W x D (mm)	Weight (kg)	Construction	Solid Top		Concrete Infill		Solid Top	
					Item Code	Size (Nominal Internal) L x W x D (mm)	Item Code	Size (Nominal Internal) L x W x D (mm)	Item Code	Size (Nominal Internal) L x W x D (mm)
04819	600 x 550 x 550	700 x 700 x 675	350	1 Piece	78580	600 x 600	78581	600 x 600	81575	600 x 600
04872	1220 x 560 x 550	1370 x 760 x 650	750	Panel	78586	1270 x 600	78587	1270 x 600	81576	1200 x 600
04676	1260) x 600 x 570	1420 x 760 x 650	680	1 Piece	78586	1270 x 600	78587	1270 x 600	81576	1200 x 600
04698	1200 x 900 x 1200	1400 x 1100 x 1300	2057	1 Piece	78658	1270 x 915	78659	1270 x 915	81196	1200 x 600 Reducer Lid reqd (04696)
04697	1200 x 900 x 1800	1400 x 1100 x 1800	2753	1 Piece	78658	1270 x 915	78659	1270 x 915	81196	1200 x 600 Reducer Lid reqd (04696)
04825	1220 x 550 x 900	1370 x 750 x 1000	1050	Panel	78586	1270 x 600	78587	1270 x 600	81576	1200 x 600
04672	1290 x 625 x 900	1450 x 785 x 980	864	1 Piece	78586	1270 x 600	78587	1270 x 600	81576	1200 x 600
04699	2050 x 1200 x 1200	2250 x 1425 x 1450*	3600*	Panel			78585	1270 x 600	81577	1200 x 1200
04701	2700 x 1400 x 1400	2900 x 1700 x 1700*	7183*	Panel			78585	1270 x 1200	81577	1200 x 1200

\*Weight and external dimensions include concrete reducer lid.

- Composite and Aluminium cover sets are Chorus Network Specified Product (CNSP).
- Composite, Aluminium and Ductile Iron cover sets meet AS3996:2006 and AS/NZS3996:1993.
- Solid Concrete Lids (Item code: 04695) and reducer lids (Item code: 04696) also available.