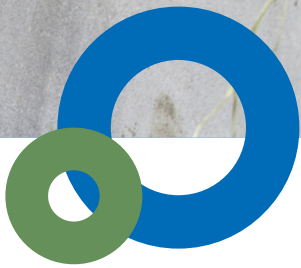




**HUMES**



Humes concrete reinforced **Feed Trough** provides an efficient and durable stock feeding solution to your farm.



**Feed Trough**

## Concrete Feed Trough

### APPLICATIONS

Continuous feed troughs for cattle

### PRODUCT BENEFITS

Quick installation

Versatile – add the middle channels to extend the length

Safe for the stock and farmers

### STANDARDS

Manufactured to the highest standards of Humes product design and durability.

0800 502 112 | [WWW.HUMES.CO.NZ](http://WWW.HUMES.CO.NZ)

The increased necessity to provide supplementary feed to dairy stock to ensure they reach and maintain optimum milk quality levels requires a simple but effective feeding solution.

Humes Feed Troughs (available in channels and end pieces) can meet the following requirements: quality product, portable, durable, easy to install, system of continuous channels, and safe for both the stock and the farmers.

Humes steel fibre reinforced concrete Feed Troughs are manufactured to a high standard and designed with durability/longevity in mind. The simple yet practical design means stock can feed from both sides if required and the high walls discourages stock from climbing into the troughs. The Farmers also have the ability to add channels to ensure the Feed Troughs meet all sizing requirements.

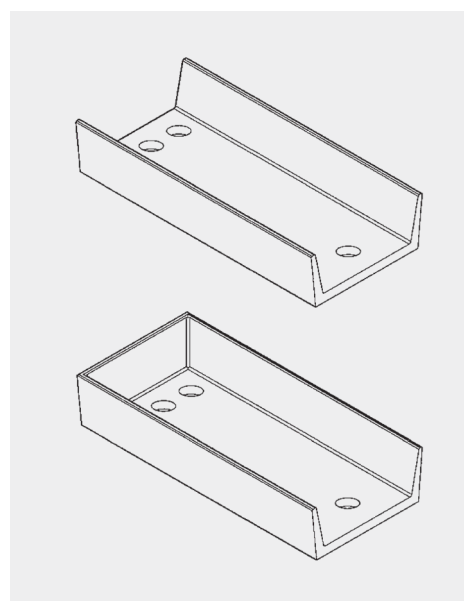
Installation and portability around the farm are made easier and safer with the inclusion of the Swiftlift™ lifting system. This means the Feed Troughs pieces are less likely to be damaged during installation.

## Feed Trough Range

CODE	FEED CHANNEL MIDDLE	FEED CHANNEL END
Item Code	80091946	080091944
Length (mm)	2600	2665
Width (mm)*	1130	1130
Depth (mm)	510	510
Weight (kg)	1030	1110

### NOTES

- All dimensions are external
- Channels and ends are sold separately



**Fig 1 – Troughs – open and closed end.**

**For further information or advice freephone 0800 502 112 or visit [www.humes.co.nz](http://www.humes.co.nz)**

Buyers and users of the products described in this brochure must make their own assessment of the suitability and appropriateness of the products for their particular use and the conditions in which they will be used. All queries regarding product suitability, purpose or installation should be directed to the nearest Humes Sales Branch for service and assistance.