



AVK DOUBLE ECCENTRIC BUTTERFLY VALVE, PN16

756

Seal on disc, ISO-input IP67 gearbox, DN200-600, plate disc, short

AVK double eccentric butterfly valves are designed with tilted and fixated disc for extended service life and easy operation. The disc seal is made of AVK's drinking water approved EPDM rubber featuring an excellent compression set and thus ability to regain its original shape. FBE epoxy coating and the corrosion protected shaft end zones ensure high durability. The valves are suitable for bi-directional application.

Product Description:

Double eccentric butterfly valve to EN 593 w. ss seat and ISO-input IP67 gearbox for drinking water and neutral liquids to max. 70°C

Standards:

- Designed according to EN 593
- Face to face according to EN 558 Series 13 (AS 4795.2)
- Standard flange drilling to AS 4087 Figure B5 (AS 2129 Table D)

Test/Approvals:

- Hydraulic test according to AS 4795
- Seat: 17.6 bar, bi-directional
- Body: 24 bar
- Approved according to WRAS Certificate No. 1111078
- Approved according to DIN-DVGW Certificate NW-6201BR0451
- Approved according to KIWA Certificate K 6320

Features:

- The tilted disc releases the compression of the disc sealing after a few degrees of opening, which extends the durability and gives low operating torques
- The disc is fixated to prevent wear and fluttering
- The disc seal profile and rubber quality ensure low closing torques
- All rubber parts are multi approved
- Seal retainer ring of Stainless Steel
- The threaded bolt holes in the disc are corrosion protected with O-rings
- Replaceable seat ring of Stainless Steel pressed into the body and sealed with an O-ring
- Shaft of Stainless Steel with self-lubricating bearings
- The shaft ends are corrosion protected with a Stainless Steel security plate and a gasket
- Replaceable shaft sealing with an EPDM O-ring on a Stainless Steel ring, a back-up EPDM O-ring in the housing, and a flat NBR gasket
- Optional locking device
- Body and disc of Ductile Iron with epoxy coating to AS 4158, RAL 5017

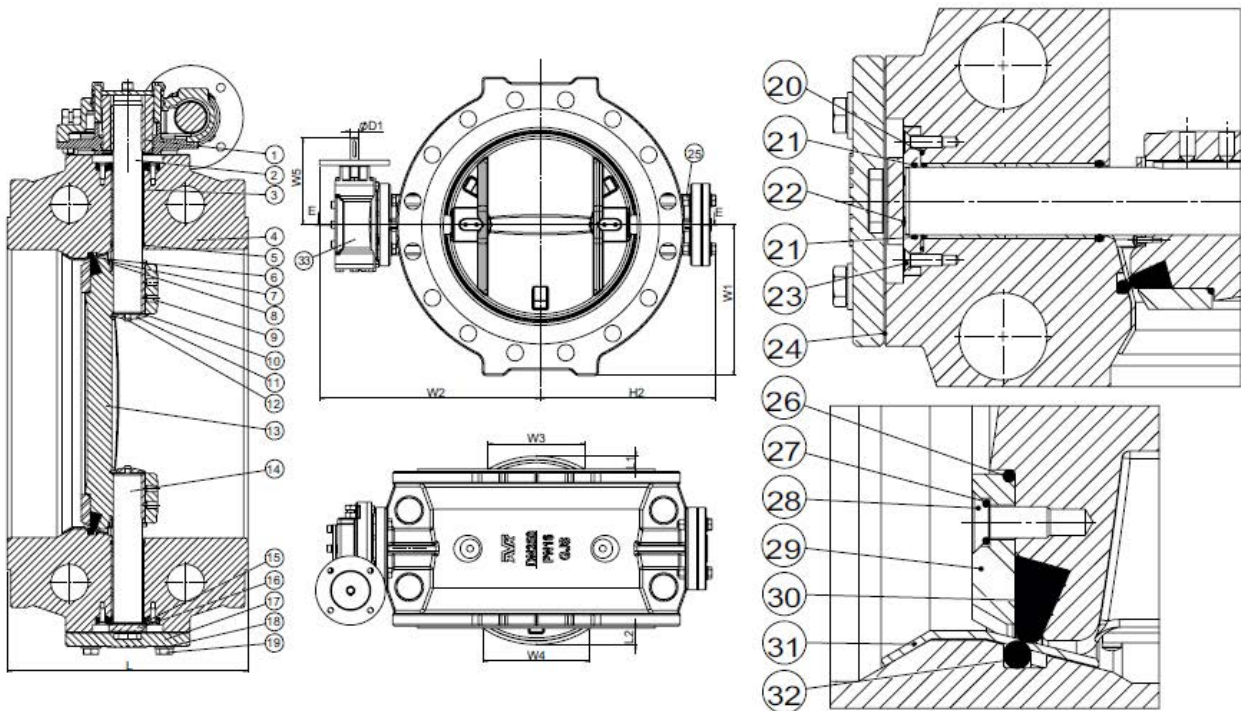
Options:

- Closure direction
- Gearbox configuration
- Position of Actuation
- IP68 or IP68 buried service gear operator
- Extension systems for buried service
- Electric Actuation



kiwa

Expect... **AVK**



Component list

1. Key	Stainless Steel A2	18. Washer	Stainless Steel A4
2. Drive shaft	Stainless Steel AISI 431	19. Hex bolt	Stainless Steel A4
3. Bearing	Lead free PTFE sliding face	20. O-ring	EPDM rubber
4. Body	Ductile Iron, EN-GJS-500-7 (GGG-50)	21. O-ring	EPDM rubber
5. O-ring	EPDM rubber	22. Screw	Stainless Steel A4
6. Socket screw	Stainless Steel A4	23. Screw	Stainless Steel A4
7. Cover	Stainless Steel	24. Gasket	EPDM rubber
8. Gasket	EPDM rubber	25. Nut	Stainless Steel A4
9. Set screw	Stainless Steel A4	26. O-ring	EPDM rubber
10. Gasket	Stainless Steel A4	27. O-ring	EPDM rubber
11. Endcover	Stainless Steel	28. Screw	Stainless Steel A4
12. Screw	Stainless Steel A4	29. Seal retaining ring	Stainless Steel
13. Disc	Ductile Iron, EN-GJS-500-7 (GGG-50)	30. Seal ring	EPDM rubber
14. Stub shaft	Stainless Steel AISI 431	31. Metal seat	Stainless Steel
15. Spacer	Bronze	32. O-ring	EPDM rubber
16. Axial bearing	Bronze	33. Gearbox	Cast Iron
17. End plate	Ductile Iron, EN-GJS-500-7 (GGG-50)		

Components can be substituted with equivalent or higher class materials.

Reference nos. and dimensions

AVK ref. nos.	DN mm	Flange drilling	B5	D1 mm	L mm	L1 mm	L2 mm	H2 mm	W1 mm	W2 mm	W3 mm	W4 mm	W5 mm	ISO flange	Theoretical weight kg
756-0200-2547XXX13	200	AS 4087	B5	15	152	18	28	200	182	308	107	134	158	10	49
756-0250-2547XXX13	250	AS 4087	B5	15	165	34	44	234	215	342	164	184	158	10	66
756-0300-2547XXX13	300	AS 4087	B5	17	178	47	58	265	242	373	209	227	182	10	105
756-0350-2547XXX13	350	AS 4087	B5	17	190	70	76	290	272	398	271	279	182	10	129
756-0400-2547XXX13	400	AS 4087	B5	17	216	82	89	321	302	434	313	322	182	10	161
756-0450-2547XXX13	450	AS 4087	B5	25	222	102	109	358	332	471	365	374	236	14	224
756-0500-2547XXX13	500	AS 4087	B5	25	229	124	130	395	370	550	420	427	236	14	279
756-0600-2547XXX13	600	AS 4087	B5	20	267	155	161	467	435	627	426	437	364	14	423

XXX = Options to be specified