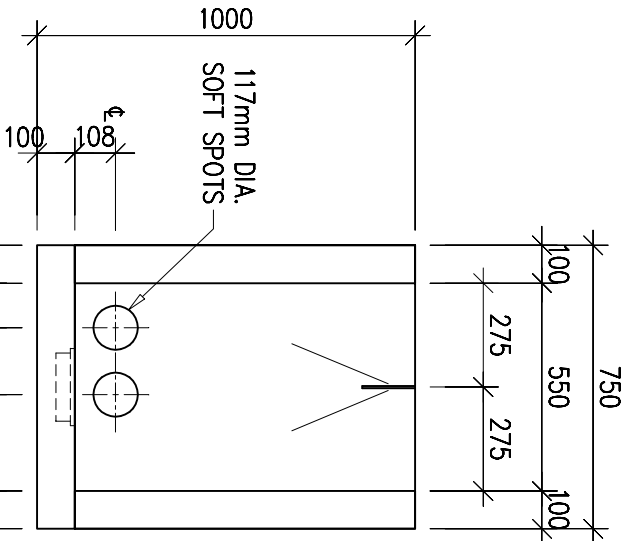
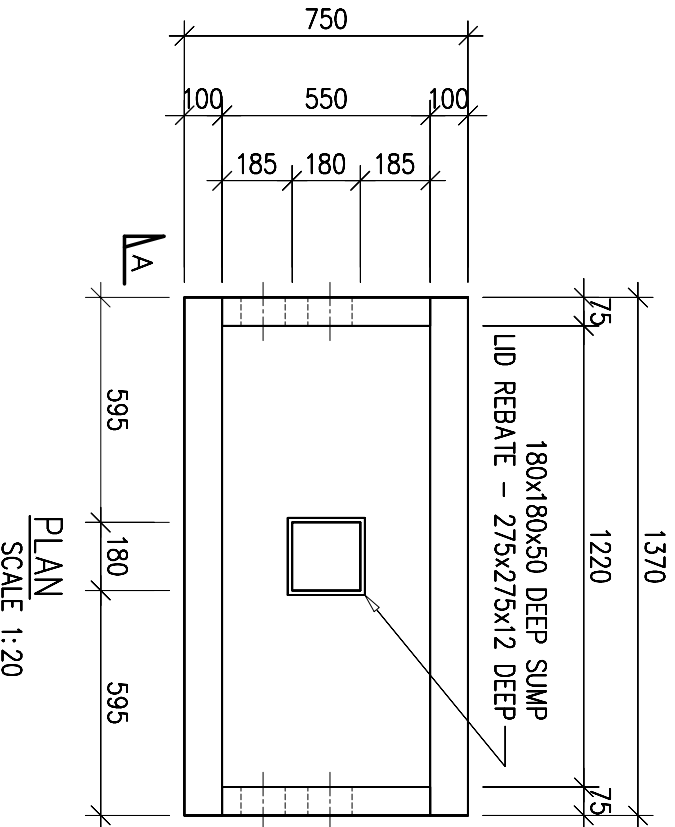


ELEVATION A-A  
SCALE 1:20

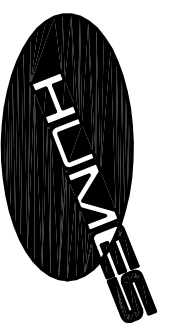
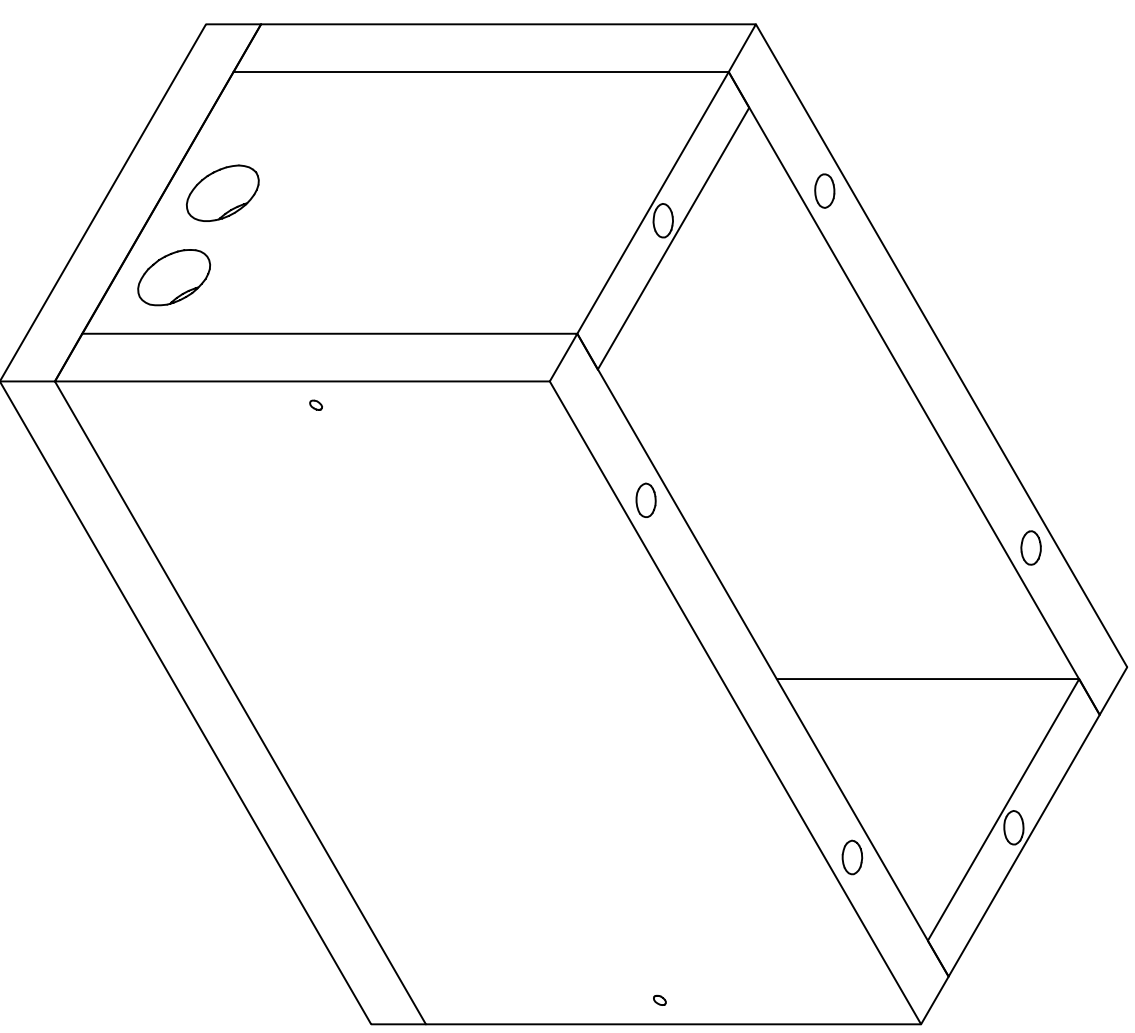


ELEVATION B-B  
SCALE 1:20



PLAN  
SCALE 1:20

VOL = 4.19 HI  
WT = 1050 kgs  
EXCLUDING LID



**Humes Pipeline Systems**  
Private Bag 92817  
Auckland  
Freephone 0800 502 112  
www.humes.co.nz

Copyright: This design, information and drawing remain the property of Humes Pipeline Systems and may not be used or copied without approval in writing from Humes Pipeline Systems.

TELCO 1220x550x900 HIGH  
ROADWAY CHAMBER  
(FIBRE OPTIC)

Drawn By NW	Date 28/09/07
Checked By BR	Scale A1 AS SHOWN
Reference No. 04825	
Drawing No. SHEET 2 OF 2	Rev. No. 1