

Resilient seated swing check valve AS 4794
Flanges and drilling to AS 4087 Fig. B5

Use:

For potable water and sewage applications

Valve designed for use up to 60°C

Where applicable; for AS 4020 compliance, max temp = 40°C

Note: Always observe pipe material recommended operating temperatures

Tests:

Hydrostatic test to AS 4794

Seat: 16 bar

Body: 24 bar

Optional extras:

Lever and weight:

Mounted RHS as standard

Can be mounted LHS on request

AS 2129 Table "E" drilling

Limit switch and cam

Materials:

Body and bonnet Ductile iron to AS 1831 grade 500-7

Coating Electrostatically applied epoxy resin to AS 4158 - Internally and externally

Shaft Stainless steel to ASTM A276 Gr. 316

Bonnet gasket EPDM rubber

Bushing Copper alloy AS/NZS 1567 C486

Hexagon bolt, washer and pin Stainless steel A4

Resilient seated disc EPDM rubber with a steel insert

Hinge DN 80 - 200: Stainless steel to ASTM A276 Gr. 316

DN 250 - 300: Ductile iron to AS 1831 Grade 500-7

Accessory kit:

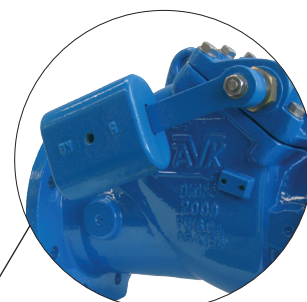
Weight, hinge lever and weight Ductile iron to AS 1831 grade 500-7

Cam 316 SS



Australian Standard

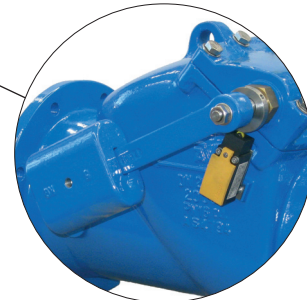
AS4794:2001
 Lic. SMK20363
 SAI Global



Lever & Weight



Free Acting + Limit Switch



Lever & Weight + Limit Switch

AVK Australia's website contains the latest product information and data sheets.

Designs, materials and specifications shown are subject to change without notice due to our continuing program of product development.



AVK Australia Pty Ltd
 559A Grand Junction Road, Wingfield, SA 5013 Australia
 Tel: +61 8 8368 0900
 Fax: +61 8 8368 0970
 E-mail: info@avkvalves.com.au
 www.avkvalves.com.au

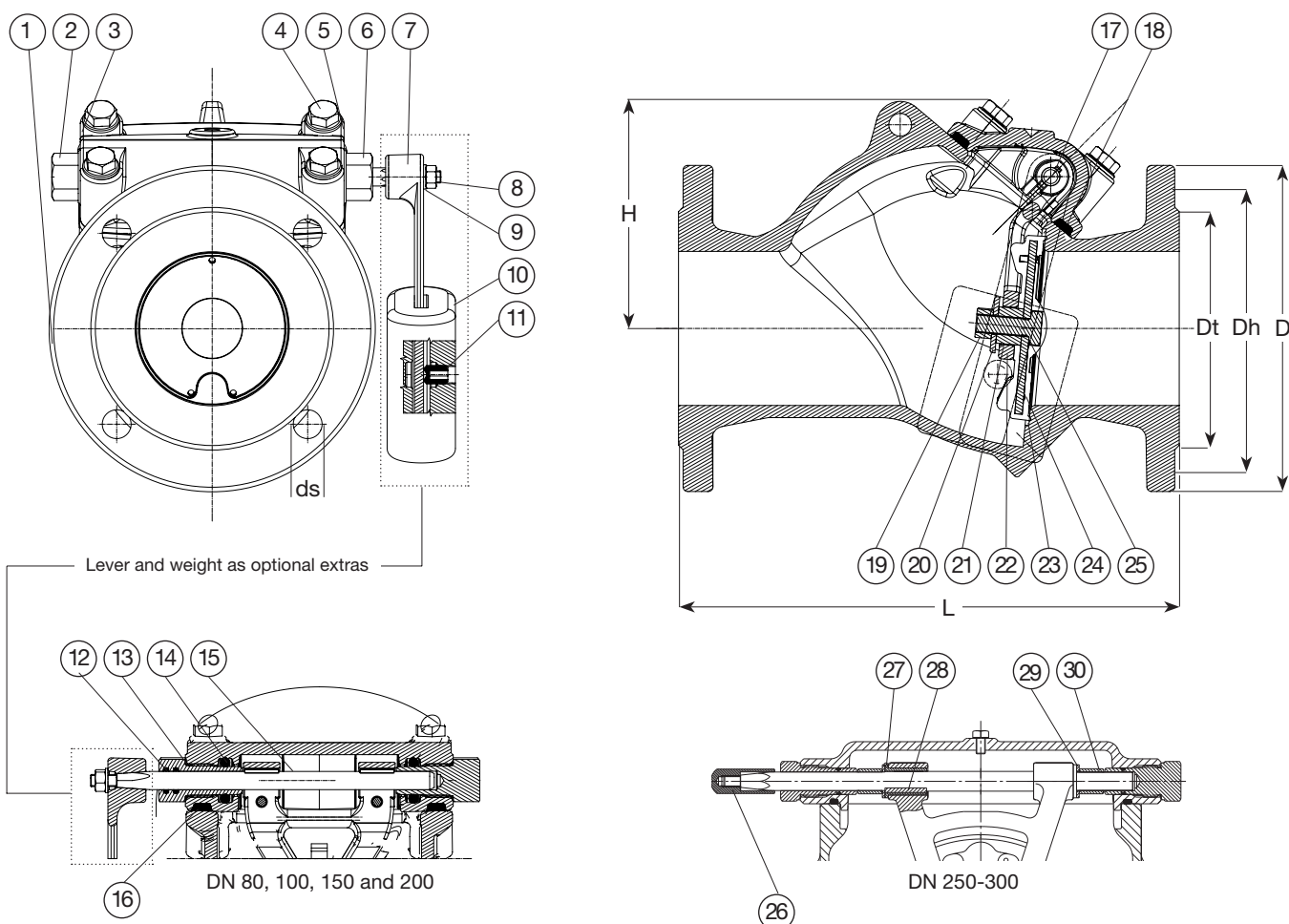
Copyright© AVK Group A/S 2009

3N4100IQ
 July 2009

Resilient seated swing check valve AS 4794 Flanges and drilling to AS 4087 Fig. B5

Component list

- | | | | | |
|-------------------|----------------|-------------------|-------------------------|----------------------|
| 1. Body | 7. Lever | 13. O-ring | 19. Nut | 25. Hexagon bolt |
| 2. Bushing closed | 8. Nut | 14. O-ring | 20. Washer | 26. Shaft protector |
| 3. Bonnet | 9. Washer | 15. Shaft | 21. Bushing | 27. Connector |
| 4. Hexagon bolt | 10. Weight | 16. Bonnet gasket | 22. Hinge | 28. Key |
| 5. Washer | 11. Grub screw | 17. Hexagon | 23. Disc rubber coating | 29. Retaining washer |
| 6. Bushing open | 12. O-ring | 18. Tab washer | 24. Disc insert | 30. Spacer |



Free acting

Ref.nos. AS4087 "B5"	Ref.nos. Table E	DN	L	H mm	Dt mm	D mm	Dh mm	ds mm	Holes mm	Weight kilos
41-080-810271206	41-080-810371206	80	260	140	122	185	146	18	4	18
41-100-810271206	41-100-810371206	100	330	150	154	215	178	18	4	21
41-150-810271206	41-150-810371206	150	410	195	209	280	235	18	8	38
41-200-810271206	41-200-810371206	200	540	230	264	335	292	18	8	66
41-250-810271206	41-250-810371206	250	640	270	328	405	356	22	8	132
41-300-810271206	41-300-810371206	300	700	300	376	455	406	22	12	187

With lever & weight

Ref.nos. AS4087 "B5"	Ref.nos. Table E	DN	L	H mm	Dt mm	D mm	Dh mm	ds mm	Holes mm	Weight kilos
41-080-820271206	41-080-820371206	80	260	140	122	185	146	18	4	22
41-100-820271206	41-100-820371206	100	330	150	154	215	178	18	4	25
41-150-820271206	41-150-820371206	150	410	195	209	280	235	18	8	44
41-200-820271206	41-200-820371206	200	540	230	264	335	292	18	8	72
41-250-820271206	41-250-820371206	250	640	270	328	405	356	22	8	138
41-300-820271206	41-300-820371206	300	700	300	376	455	406	22	12	193