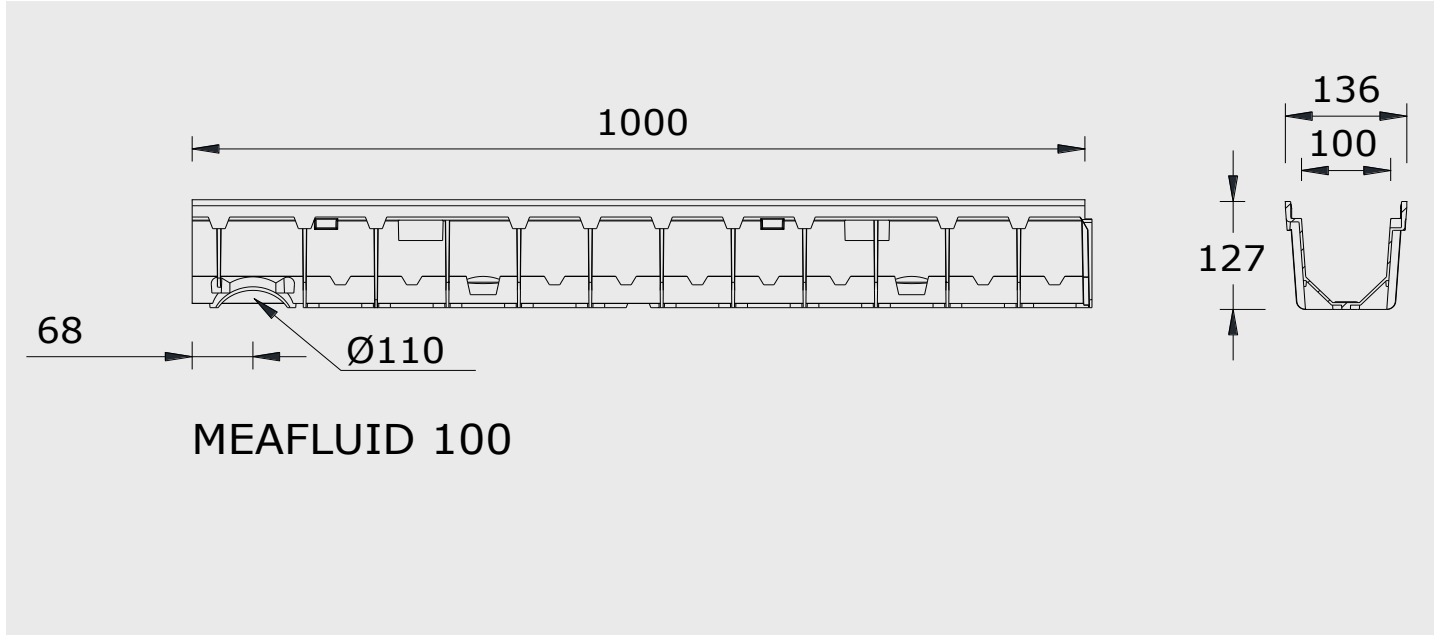


MEAFLUID 100 drainage channel with GRP edge

MEAFLUID 100



Material properties

Channel unit and construction unit

- o SMC (Sheet moulded compound): glassfibre reinforced polyester, with natural minerals
- o Tensile strength: 65 N/mm² (ISO527)
- o Flexural tensile strength: 120 N/mm² (ISO14125)
- o Modulus of elasticity: 10.000 N/mm² (ISO14125)
- o Linear expansion coefficient: 1,5 - 2,0 x 10⁻⁵1/K
- o Heat resistance: 100°C permanent exposure, short-term exposure to 200°C
- o Frost resistance: -35°C
- o Water absorption <0,1% (ISO R178)
- o Material structure capillary free

Edge protection

- o glassfibre reinforced polyester

Channel covers

- o galvanised steel
- o ductile iron
- o plastic

MEAFLUID 100

MEAFLUID 100 drainage channel with GRP edge

Channel made of glasfibre reinforced polyester (GRP). Suitable for all channel covers **Top 1000 CLIPFIX**.

Clear width 100mm, total width 136mm. Channel unit without fall, loading class A15 - C250 to EN 1433.

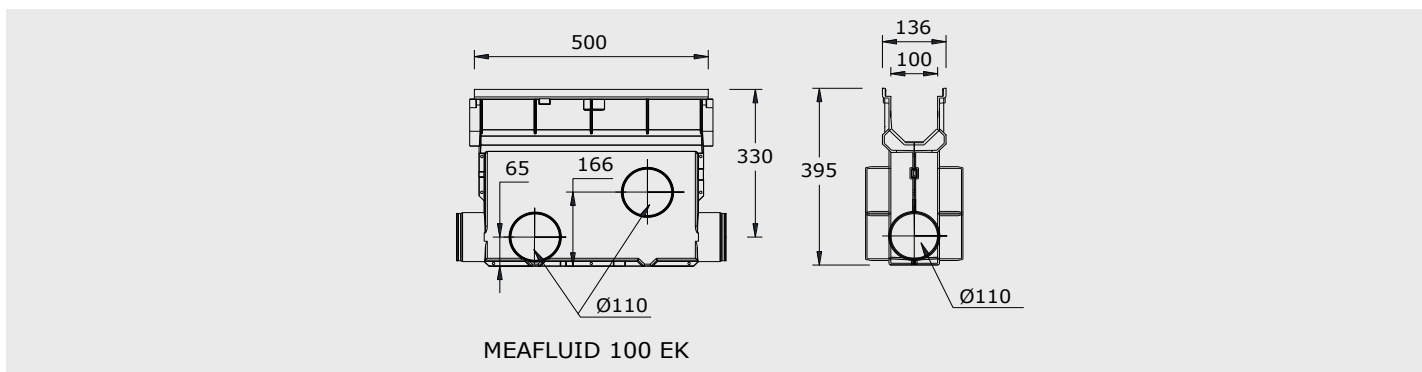
Loading classes as indicated when built-in according to MEA installation instructions.

Channel unit MEAFLUID 100, without fall, class C250

material group	product description	length [mm]	total height [mm]	EDP-No. 010...	EAN-Code 4001990...	kg/unit	units/pallet
RI	MEAFLUID 100	1000	127	145100	875155	2,80	50

MEAFLUID 100 accessories

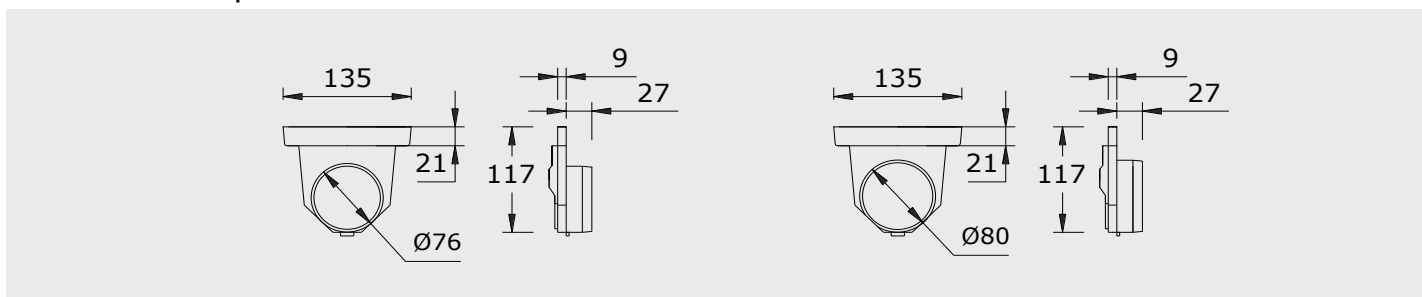
MEAFLUID 100 silt box



Silt box for MEAFLUID 100

material group	product description	length [mm]	total height [mm]	EDP-No. 010...	EAN-Code 4001990...	kg/unit	units/pallet
RI	MEAFLUID 100 silt box	500	395	145108	875292	4,80	16

MEAFLUID 100 end caps



End caps for MEAFLUID 100

material group	product description	material	EDP-No. 010...	EAN-Code 4001990...	kg/unit	units/pallet
RI	MEAFLUID 100 end cap with connection facility Ø 75mm	PP	141350	020258	0,06	1
RI	MEAFLUID 100 end cap with connection facility Ø 80mm	PP	141352	021361	0,06	1

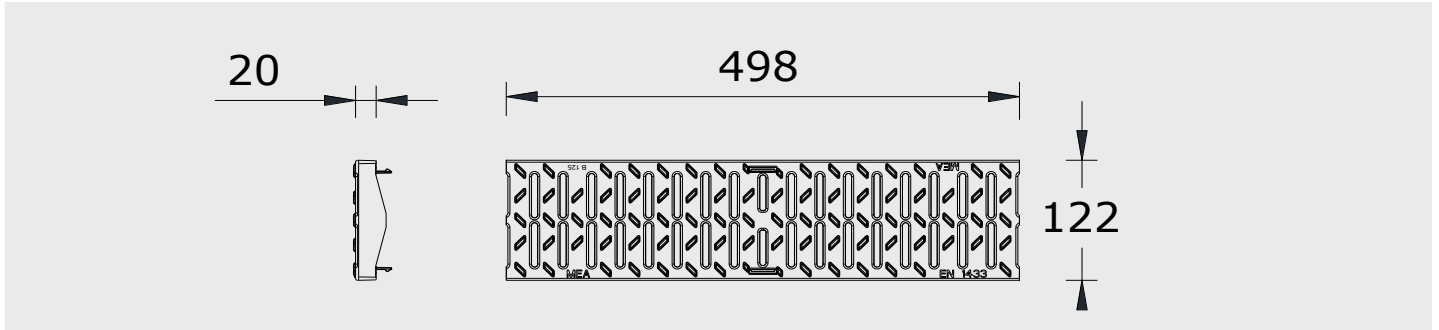
Top 1000 CLIPFIX channel covers

With non-bolted CLIPFIX channel cover fixing mechanism. Suitable for channel system **MEAFLUID 100**.

For channel units and silt boxes. Total width of gratings 122mm.



Plastic slotted heelguard grating 6/43, class C150 with CLIPFIX

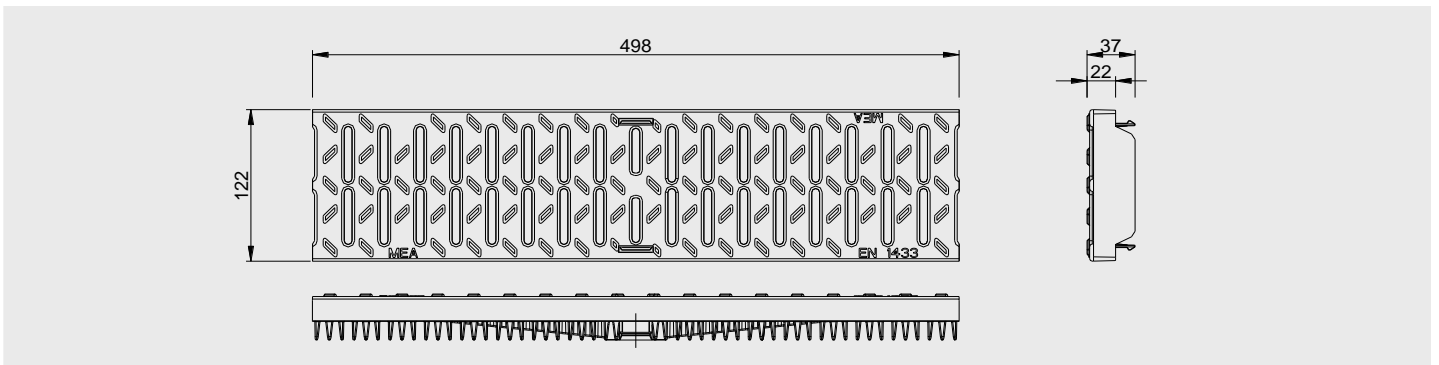


Class B150 to AS 3996, composite with non-bolted CLIPFIX cover fixing mechanism

material group	product description	material	length [mm]	EDP-No. 010...	EAN-Code 4001990...	Inlet sect. area Ø cm²/m	kg/unit	units/pallet
MD	Plastic slotted heelguard grating 6/43	plastic	500	152427	279151	207	0,84	1



Plastic slotted grating 6/43, class D210 with CLIPFIX



Class D210 to AS 3996, plastic with non-bolted CLIPFIX cover fixing mechanism

material group	product description	material	length [mm]	EDP-No. 010...	EAN-Code 4001990...	Inlet sect. area Ø cm²/m	kg/unit	units/pallet
MD	Plastic slotted heelguard grating 6/43	plastic	500	152419	279069	207	0,99	1

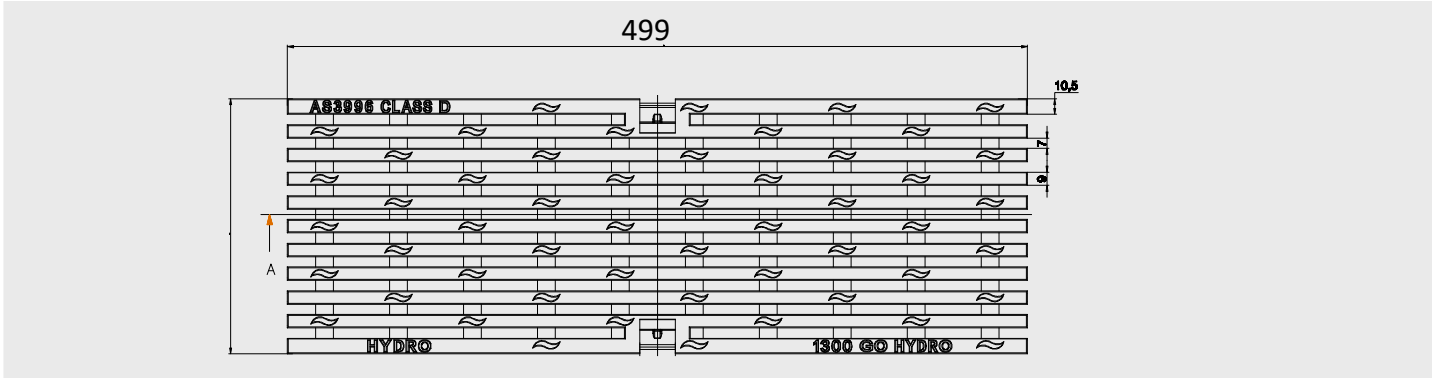
Top 1000 CLIPFIX channel covers

With non-bolted CLIPFIX channel cover fixing mechanism. Suitable for channel system **MEAFLUID 100**.

For channel units and silt boxes. Total width of gratings 122mm.



Ductile iron grating longitudinal heelguard, class D210 with CLIPFIX



Class D210 to AS 3996, ductile iron with non-bolted CLIPFIX cover fixing mechanism

material group	product description	material	length [mm]	EDP- No. 010...	EAN- Code 4001990...	Inlet sect. area Ø cm ² /m	kg/unit	units/pallet
MD	Ductile Iron longitudinal heelguard	ductile	500	752581	279069	207	0,99	1