

To AS 2638.2, reduced weight and environmentally friendly
 Stem sealing exchangeable under pressure
 Face to face dimension to AS 2638.2
 Flange and drilling to AS 4087 Figure B5 (AS 2129 Table D Raised Face)

Use:

For water, sewage and neutral liquid applications

Valve designed for use up to 70°C

Where applicable; for AS 4020 compliance, max temp = 40°C

Note: Always observe pipe material recommended operating temperatures

Tests:

Hydraulic test to AS 2638.2:

Seat: 16 bar

Body: 24 bar

Operating torque test

Optional extras:

Stem cap (Refer 57/90)

Materials:

Gland flange, body and bonnet	Ductile iron, 500-7 to AS 1831
Stem cap	Ductile iron, 400-12 to AS 1831
Coating	Fusion bonded epoxy resin - Internally and externally to AS 4158
Stem	Stainless steel 431
Stem sealing	NBR wiper ring, 3 NBR O-rings
Wedge	Ductile iron, 500-7 to AS 1831, core fully vulcanised with EPDM rubber, with integral wedge nut of dezincification resistant brass, CZ 132 to AS 2345
Bushing	Polyamid
Thrust collar and stem seal box	Dezincification resistant brass, CZ 132 to AS 2345
Bonnet & gland bolts	Grade 8.8 sealed with hot melt
Bonnet gasket	EPDM rubber



Australian Standard
 AS2638.2:2006
 Lic. SMK02420
 SAI Global



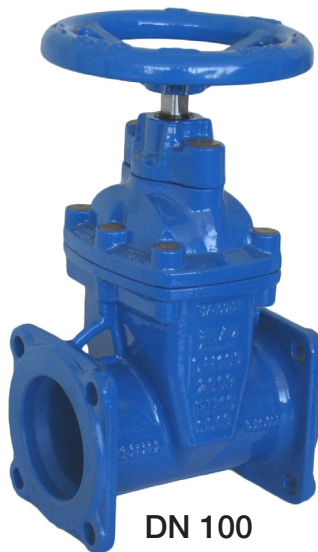
Health & Safety
 AS 4801
 SAI GLOBAL



Environment
 ISO 14001
 SAI GLOBAL



DN 50, 65, 80, 200, 225, 250 & 300



DN 100



DN 150

AVK Australia's website contains the latest product information and data sheets.

Designs, materials and specifications shown are subject to change without notice due to our continuing program of product development.



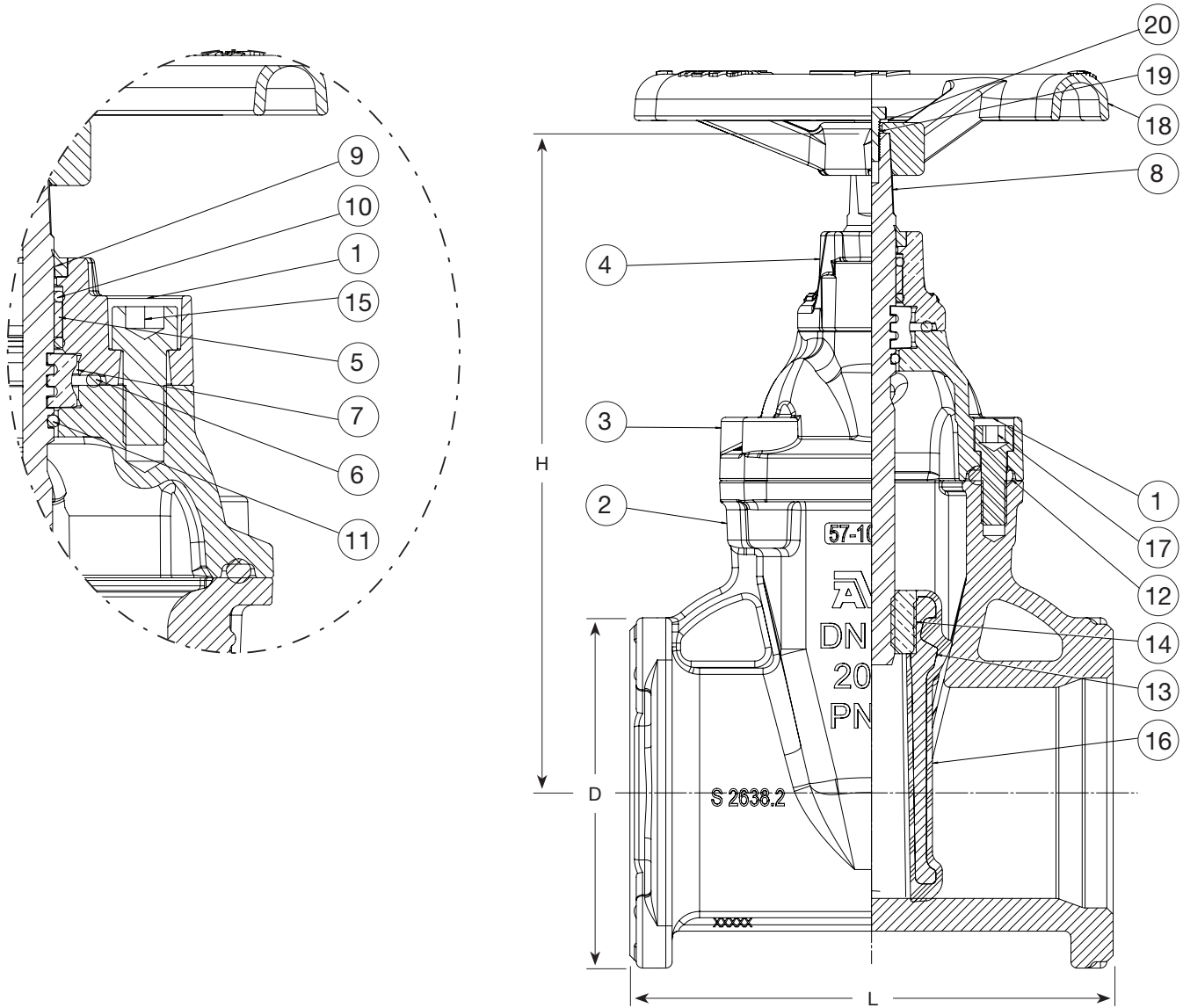
AVK Australia Pty Ltd
 559A Grand Junction Road, Wingfield, SA 5013 Australia
 Tel: +61 8 8368 0900
 Fax: +61 8 8368 0970
 E-mail: info@avkvalves.com.au
 www.avkvalves.com.au
 Copyright© AVK Group A/S 2011

3N5798BQ
 July 2011

To AS 2638.2, reduced weight and environmentally friendly
 Stem sealing exchangeable under pressure
 Face to face dimension to AS 2638.2
 Flange and drilling to AS 4087 Figure B5 (AS 2129 Table D Raised Face)

Component list

- | | | | |
|-----------------|------------------|-------------------|------------------|
| 1. Hot melt | 6. O-ring | 11. O-ring | 16. Wedge rubber |
| 2. Body | 7. Thrust collar | 12. Bonnet gasket | 17. Bolt socket |
| 3. Bonnet | 8. Stem | 13. Wedge | 18. Handwheel |
| 4. Gland flange | 9. O-ring | 14. Wedge nut | 19. Hex bolt |
| 5. Bushing | 10. O-ring | 15. Bolt socket | 20. Washer |



Ref. nos. CC	Ref. nos. ACC	DN	L mm	H mm	D mm	Hole OD mm	Holes	Bolt PCD	Weight kilos	Handwheel OD mm
57-050-980543120	57-050-981543120	50 *	178	310.0	165	18.5	4	114	20.1	225
57-065-980543120	57-065-981543120	65 *	190	320.0	185	18.5	4	127	21.1	225
57-080-980543120	57-080-981543120	80	203	326.0	185	18.5	4	146	22.1	225
57-100-980543120	57-100-981543120	100	229	313.0	215	18.5	4	178	20.0	225
57-150-980543120	57-150-981543120	150	267	464.0	280	18.5	8	235	42.3	280
57-200-980543120	57-200-981543120	200	292	563.0	335	18.5	8	292	83.2	360
57-225-980543120	57-225-981543120	225	305	637.0	370	18.5	8	324	107.2	500
57-250-980543120	57-250-981543120	250	330	648.5	405	22.5	8	356	111.2	500
57-300-980543120	57-300-981543120	300	356	724.0	455	22.5	12	406	156.2	500
Refer 57/48 Data Sheet		375								
Refer 57/48 Data Sheet		400								

*Not specified in AS 2638.2

