



AVK SEWER OB JUNCTION CLAMPS PN16

748

Sewer OB junction clamps PN1 pressure rating
Range DN100 to DN450
DN100, DN150 and DN225 offtakes, depending on host pipe size
45° angle and 90° angle junctions available
uPVC access coupling fixed to offtake
For use on Cast Iron, PVC, AC, VC and FRC

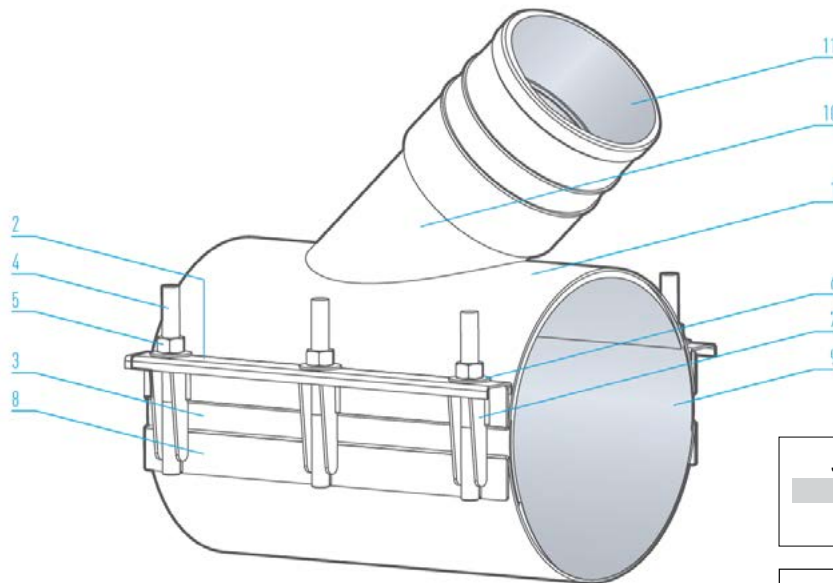
Use:

- Branch connections on non-pressure sewer pipelines
- 1 bar / 10 meters allowable operating pressure
- This product does not provide axial restraint

Standards and Approvals:

- Manufacturing facility certified to ISO 9001 quality assurance standard





Junction type	?
45° angle	1
90° angle	2

Nominal DN	Offtake DN	??	OD mm
100-450	100	11	110
150-450	150	16	160
300-450	225	25	250

Component list

1. Skin	316 Stainless Steel / ASTM A240M	6. Washers	316 Stainless Steel / ISO 7089
2. Locking plate	316 Stainless Steel / ASTM A240M	7. Lugs	316 Stainless Steel / ASTM A240M or A276
3. Bridge plate	316 Stainless Steel bonded to gasket / ASTM A240M	8. Flat bars	316 Stainless Steel / ASTM A240M or A276
4. Studs	316 Stainless Steel - anti-galling compound coated / ASTM A276	9. Sealing gasket	Full-circle nitrate (NBR) compound
5. Nuts	316 Stainless Steel - molybond coated / AS 1112.1	10. Offtake	316 Stainless Steel / ASTM A312M
		11. Access coupling	upVC / AS/NZS 1260

Components can be substituted with equivalent or higher class materials.

Reference nos. and dimensions

AVK ref. nos.	DN mm	Material	Clamp length mm	Sealing range mm	No. of parts
748-932-012003-01-???	100	316 SS	300	120-125	2
748-932-013503-01-???	100	316 SS	300	135-140	2
748-932-015003-01-???	150	316 SS	300	150-160	2
748-932-016003-01-???	150	316 SS	300	150-170	2
748-932-016004-01-???	150	316 SS	400	150-160	2
748-932-017503-01-???	150	316 SS	300	175-185	2
748-932-017504-01-???	150	316 SS	400	175-185	2
748-932-019003-01-???	150	316 SS	300	190-200	2
748-932-019004-01-???	150	316 SS	400	190-200	2
748-932-022503-01-???	200	316 SS	300	225-235	2
748-932-022504-01-???	200	316 SS	400	225-235	2
748-932-024003-01-???	225	316 SS	300	240-250	2
748-932-024004-01-???	225	316 SS	400	240-250	2
748-932-024503-01-???	225	316 SS	300	245-255	2
748-932-024504-01-???	225	316 SS	400	245-255	2
748-932-025503-01-???	225	316 SS	300	255-265	2
748-932-025504-01-???	225	316 SS	400	255-265	2
748-932-027503-01-???	250	316 SS	300	275-285	2
748-932-027504-01-???	250	316 SS	400	275-285	2

The designs, materials and specifications shown are subject to change without notice due to the continuous development of our product program.

AVK ref. nos.	DN mm	Material	Clamp length mm	Sealing range mm	No. of parts
748-932-027506-01-???	250	316 SS	600	275-285	2
748-932-028503-01-???	250	316 SS	300	285-295	2
748-932-028504-01-???	250	316 SS	400	285-295	2
748-932-031003-01-???	300	316 SS	300	310-320	2
748-932-031004-01-???	300	316 SS	400	310-320	2
748-932-033003-01-???	300	316 SS	300	330-340	2
748-932-033004-01-???	300	316 SS	400	330-340	2
748-932-034006-01-???	300	316 SS	600	340-350	2
748-932-034504-01-???	300	316 SS	400	345-355	2
748-932-036003-01-???	300	316 SS	300	350-360	2
748-932-036004-01-???	300	316 SS	400	350-360	2
748-932-036006-01-???	300	316 SS	600	350-360	2
748-932-037003-01-???	300	316 SS	300	370-380	2
748-932-037004-01-???	300	316 SS	400	370-380	2
748-932-037006-01-???	300	316 SS	600	370-380	2
748-932-040003-01-???	375	316 SS	300	400-410	2
748-932-040004-01-???	375	316 SS	400	400-410	2
748-932-040006-01-???	375	316 SS	600	400-410	2
748-932-042003-01-???	375	316 SS	300	420-430	2
748-932-042004-01-???	375	316 SS	400	420-430	2
748-932-042006-01-???	375	316 SS	600	420-430	2
748-932-044003-01-???	375	316 SS	300	440-450	2
748-932-044004-01-???	375	316 SS	400	440-450	2
748-932-045003-01-???	375	316 SS	300	450-460	2
748-932-048004-01-???	450	316 SS	400	480-490	2
748-932-048006-01-???	450	316 SS	600	480-490	2
748-932-050003-01-???	450	316 SS	300	500-510	2
748-932-050004-01-???	450	316 SS	400	500-510	2
748-932-053003-01-???	450	316 SS	300	530-540	2
748-932-053004-01-???	450	316 SS	400	530-540	2