



AVK TAPPED OFFTAKE CLAMPS PN16

748

Repair clamps, PN16 to DN400 (470mm OD)
Range DN50 to DN1200
Offtake sizes DN20 to DN100 (depending on host pipe size)
Female BSP offtake as standard, other type offtakes available
For use on Cast Iron, Ductile Iron, Steel, PVC-U, PVC-M, AC and copper pipes
Range extends beyond DN400
For sizes, PN ratings and configurations not listed, please contact AVK Wang

Use:

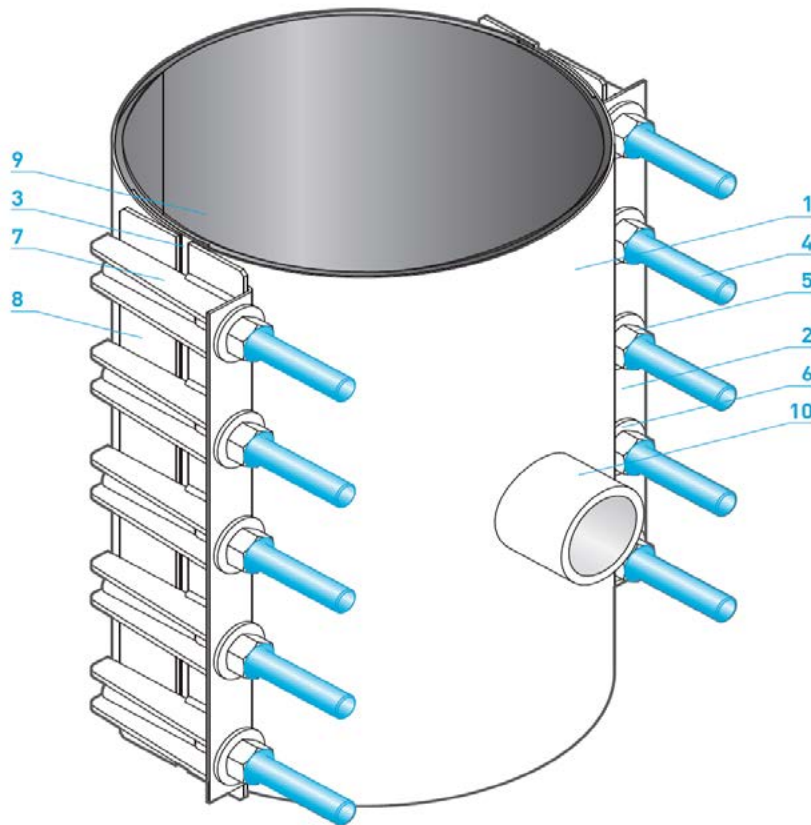
- Pipelines used in water reticulation, sewage, wastewater and irrigation to a temperature range of -10°C to 60°C
- 16 bar / 160 meters allowable operating pressure (AOP) to DN400
- Suitable for applications with pipe stiffness above SN 10,000
- This product does not provide axial restraint.

Standards and Approvals:

- Manufacturing facility certified to ISO 9001 quality assurance standard
- Fully conforming to AS/NZS 4181-1999 Stainless Steel clamps for waterworks purposes
- Standards Licence Mark SMK 1785 to AS/NZS 4181-1999



Expect... **AVK**



Nominal DN	Clamp length	Offtake DN
50	150	20-32
65	150	20-40
80	150	20-40
80	200	20-40
80	300	20-50
100-125	200	20-50
100-125	300	20-50
150	200	20-50
150	300	20-50
200	200	20-50
200	300	20-50
225-250	300	20-50
300-400	400	20-50

Component list

1. Skin	316 Stainless Steel / ASTM A240M	6. Washers	316 Stainless Steel / ISO 7089
2. Locking plate	316 Stainless Steel / ASTM A240M	7. Lugs	316 Stainless Steel / ASTM A240M
3. Bridge plate	316 Stainless Steel bonded to gasket / ASTM A240M	8. Flat bars	316 Stainless Steel / ASTM A240M
4. Studs	316 Stainless Steel - anti-galling compound coated / ASTM A276	9. Sealing gasket	Full-circle nitrate (NBR) compound AS 1646 and AS/NZS 4020
5. Nuts	316 Stainless Steel - anti-galling compound coated / AS 1112.1	10. BSP offtake	316 Stainless Steel ISO 4144 or ANSI B16.3, AS 1722.1

Components can be substituted with equivalent or higher class materials.

Reference nos. and dimensions

AVK ref. nos.	DN mm	Material	Clamp length mm	Sealing range mm	No. of parts
748-921-004701-00-1??	40	316 SS	150	47-52	1
748-921-005901-00-1??	50	316 SS	150	59-64	1
748-921-006301-00-1??	50	316 SS	150	63-68	1
748-921-006901-00-1??	50	316 SS	150	69-74	1
748-921-007501-00-1??	80	316 SS	150	75-80	1
748-921-007601-00-1??	80	316 SS	150	76-83	1
748-921-008502-00-1??	80	316 SS	200	85-92	1
748-921-008802-00-1??	80	316 SS	200	88-95	1
748-921-009502-00-1??	80	316 SS	200	95-105	1
748-921-009503-00-1??	80	316 SS	300	95-105	1
748-921-010002-00-1??	100	316 SS	200	100-110	1
748-921-010003-00-1??	100	316 SS	300	100-110	1
748-921-011402-00-1??	100	316 SS	200	114-124	1
748-921-011403-00-1??	100	316 SS	300	114-124	1
748-921-012002-00-1??	100	316 SS	200	120-130	1
748-921-012003-00-1??	100	316 SS	300	120-130	1
748-921-013002-00-1??	100	316 SS	200	130-140	1
748-921-013003-00-1??	100	316 SS	300	130-140	1
748-921-014002-00-1??	125	316 SS	200	140-150	1

The designs, materials and specifications shown are subject to change without notice due to the continuous development of our product program.

AVK ref. nos.	DN mm	Material	Clamp length mm	Sealing range mm	No. of parts
748-921-014003-00-1??	125	316 SS	300	140-150	1
748-921-015002-00-1??	150	316 SS	200	150-160	1
748-921-015003-00-1??	150	316 SS	300	150-160	1
748-921-016002-00-1??	150	316 SS	200	160-170	1
748-921-016003-00-1??	150	316 SS	300	160-170	1
748-921-016802-00-1??	150	316 SS	200	168-178	1
748-921-016803-00-1??	150	316 SS	300	168-178	1
748-921-017502-00-1??	150	316 SS	200	175-185	1
748-921-017503-00-1??	150	316 SS	300	175-185	1
748-921-019002-00-1??	150	316 SS	200	190-200	1
748-921-019003-00-1??	150	316 SS	300	190-200	1
748-921-020002-00-1??	200	316 SS	200	200-210	1
748-921-020003-00-1??	200	316 SS	300	200-210	1
748-921-021502-00-1??	200	316 SS	200	215-225	1
748-921-021503-00-1??	200	316 SS	300	215-225	1
748-921-023002-00-1??	200	316 SS	200	230-240	1
748-921-023003-00-1??	200	316 SS	300	230-240	1
748-921-025003-00-1??	225	316 SS	300	250-260	1
748-921-026503-00-1??	250	316 SS	300	265-275	1
748-921-027503-00-1??	250	316 SS	300	275-285	1
748-921-028502-00-1??	250	316 SS	300	285-295	1
748-922-031504-00-1??	300	316 SS	400	315-325	2
748-922-032004-00-1??	300	316 SS	400	320-340	2
748-922-033004-00-1??	300	316 SS	400	330-350	2
748-922-035004-00-1??	300	316 SS	400	350-370	2
748-922-036004-00-1??	350	316 SS	400	360-380	2
748-922-037004-00-1??	350	316 SS	400	370-390	2
748-922-039004-00-1??	375	316 SS	400	390-400	2
748-922-040004-00-1??	375	316 SS	400	400-420	2
748-922-041004-00-1??	375	316 SS	400	410-430	2
748-922-044004-00-1??	400	316 SS	400	440-460	2
748-922-045004-00-1??	400	316 SS	400	450-470	2

* Note: Offtake sizes up to DN100 are available where parent pipe size permit.
 Offtake configurations other than female BSP are available upon request