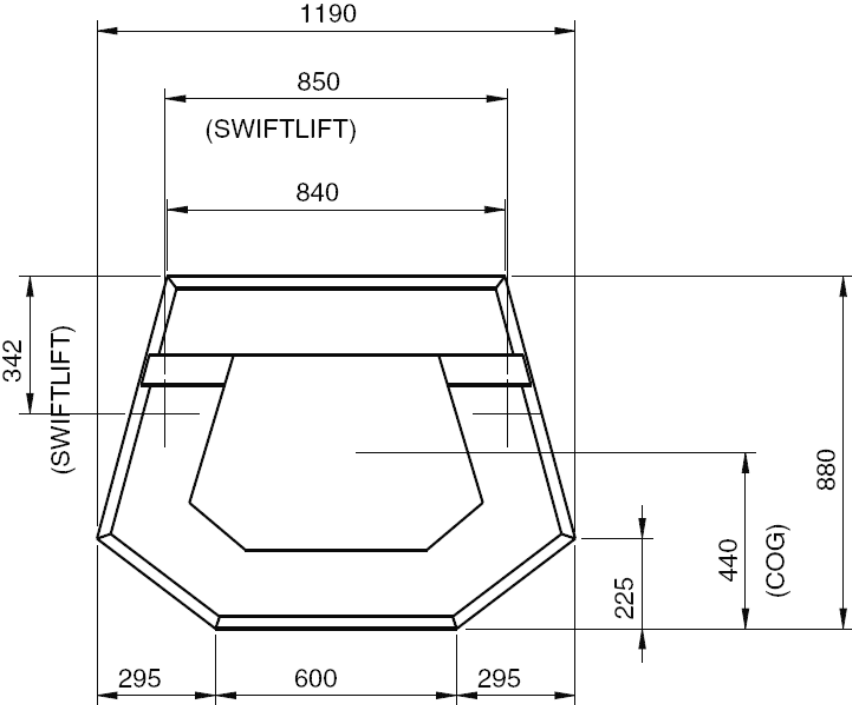
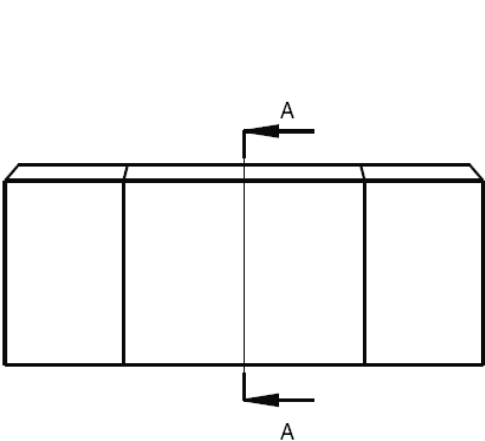


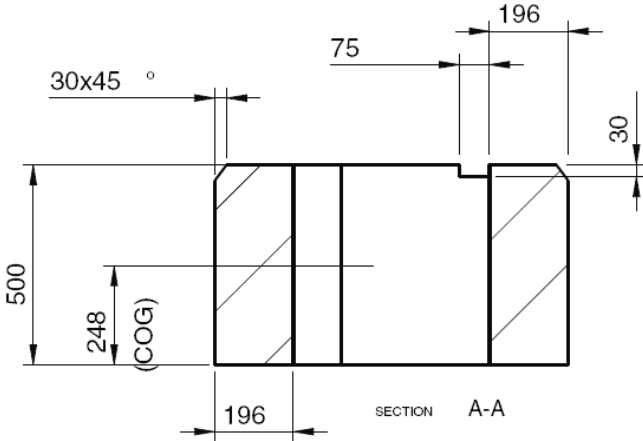
Half height block



Plan



Front elevation



Section A-A