



# AVK STREET BOX

04

Isolation valve street box frame and cover (small)  
Heavy duty (for use in paved roads) SA Water Type B

**Use:**

- For isolation valve street chamber applications, including SA Water arrowhead keyhole.
- Standard chambers for below ground isolation valves in paved roads

**Approvals:**

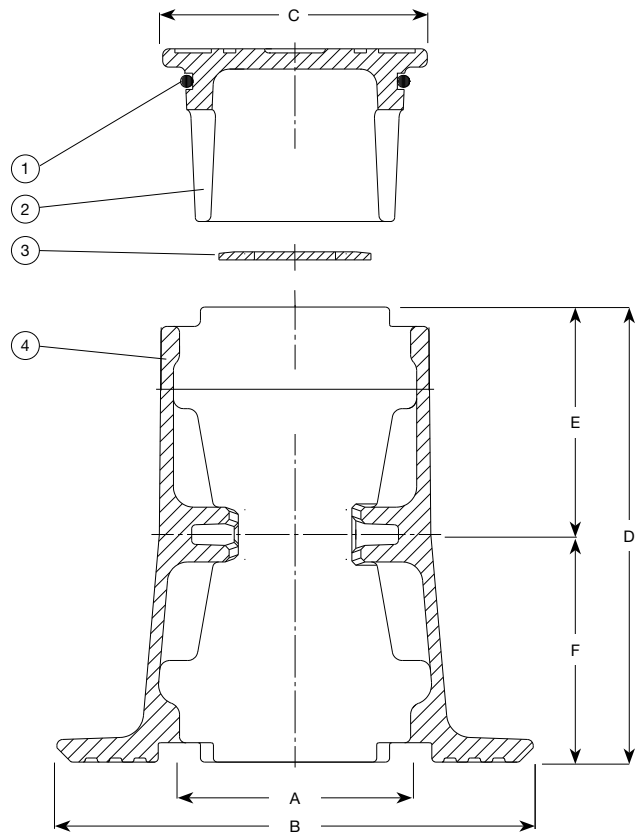
- SA Water Authorisation No.08/10151
- Identified in SA Water typical drawing No. 91-00090-02 (C11)
- SA Water stock numbers:
  - Fame = 5680 - 0067
  - Cover/lid = 5680 - 0066
  - (Note: supplied as a complete unit)



Lid/Cover



Complete unit



## Reference nos. and dimensions

Complete street box AVK ref no.	A mm	B mm	C mm	D mm	E mm	F mm	Weight kilos
0400369122	114	235	130.5	230	112	112	10.5

The designs, materials and specifications shown are subject to change without notice due to the continuous development of our product program.

