

Transit traversable and mountable headwalls



Humes in conjunction with Transit New Zealand have developed headwalls for pipes running either parallel or perpendicular to the carriage way.

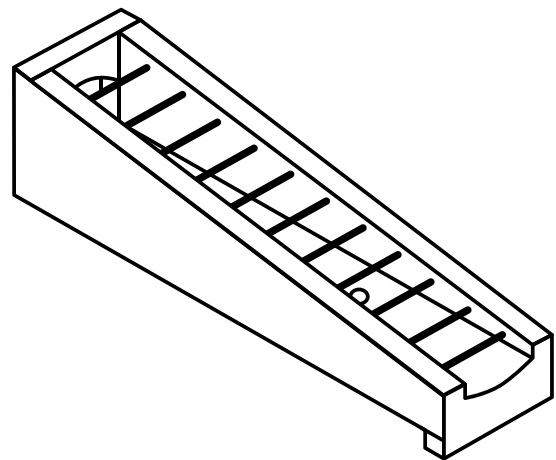
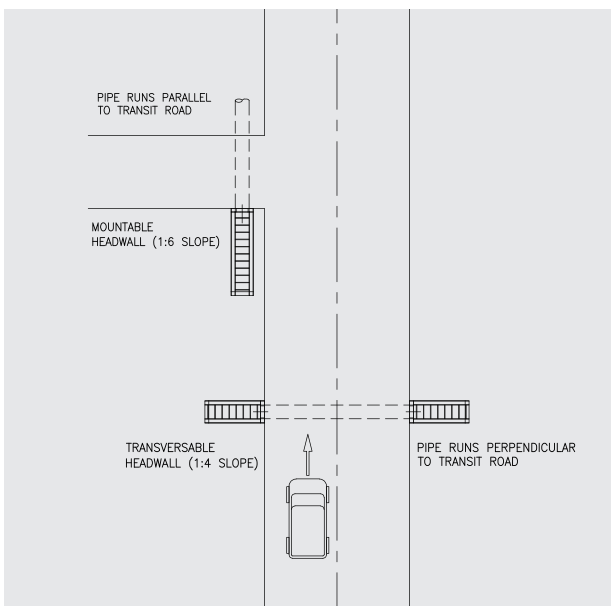
When designing the headwalls, we have given particular importance to the ease of installation for the contractors and blockage resistance for the end users. Some of the features of the headwalls are as below:

- Reinforced Concrete structure with concrete strength of 40Mpa.
- Cast as one single unit which eliminates the issues associated with the jointing of old and new concrete, such as shrinkage cracks and integrity of the epoxy joint.
- One size headwall accommodates pipe diameters from 225 to 450.
- For ease of installation, we have provided soft spots.
- The bottom of the headwall has a circular profile, which allows the debris to be washed away easily when compared to a flat bottom.
- Transit approved grating has been independently tested by Opus for its load bearing capacity.

Transit recommends installation of:

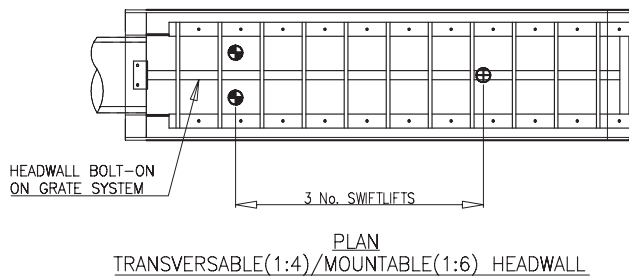
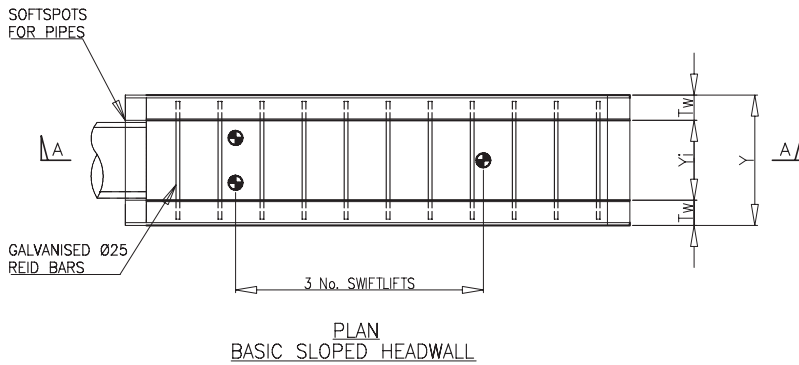
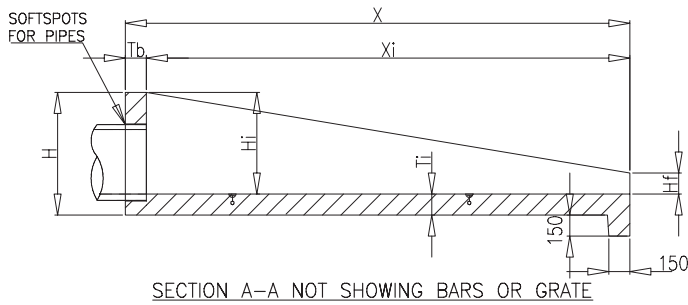
- Mountable headwalls with a slope of 1:6 on pipes running parallel to the carriage way.
- Traversable headwalls with a slope of 1:4 on pipes running perpendicular to the carriage way.

Humes also offers the option of headwalls with 25mm bars for light duty applications.



Transit traversable and mountable headwalls

Specifications



Product	Traversable Headwall	Mountable Headwall	Traversable Galvanized Grate	Mountable Galvanized Grate	Headwall with 25mm bars	
Product Code	08480	08481	08486	08485	08482	08483
Slope	1:4	1:6	1:4	1:6	1:4	1:6
Approved by Transit	Yes	Yes	-	-	No	No
Pipe diameter	225-450	225-450	-	-	225-450	225-450
X (mm)	2450	3600	-	-	2450	3600
Y (mm)	930	930	-	-	930	930
H (mm)	875	875	-	-	875	875
Hi (mm)	725	725	-	-	725	725
Hf (mm)	150	150	-	-	150	150
Xi (mm)	2300	3450	-	-	2300	3450
Yi (mm)	570	570	-	-	570	570
Ti (mm)	150	150	-	-	150	150
Tw (mm)	150	150	-	-	150	150
Tb (mm)	150	150	-	-	150	150
Mass (kg)	2015 (incl. grate)	2925 (incl. grate)	88	146	1940 (incl. bars)	2880 (incl. bars)

Buyers and users of the products described in this brochure must make their own assessment of the suitability and appropriateness of the products for their particular use and the conditions in which they will be used. All queries regarding product suitability, purpose or installation should be directed to the nearest Humes Sales Centre for service and assistance. © Fletcher Concrete and Infrastructure Limited 2008. Printed 03/08.

