



AVK SOCKET VALVE ANCHOR LEGS

57/00

Anchor legs for series 57/55 gate valves DN100 & DN150 only

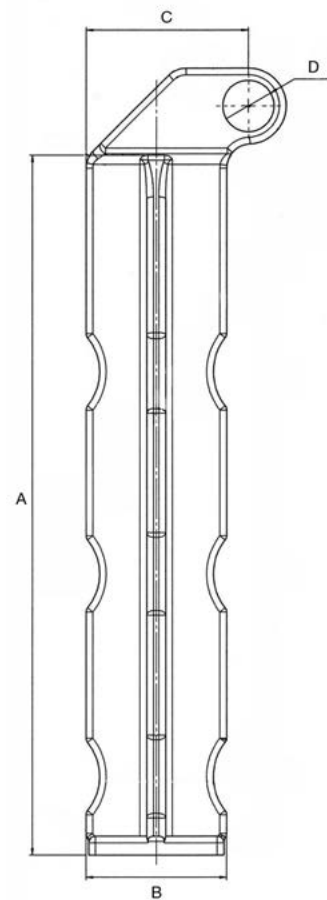
Use:

- Anchoring DN100 and DN150 socket valves

Dimensions:

- Height: 280mm
- Width: 52mm square
- Weight: 1.6kg per leg

- Series 57/42 and 57/43 ISO mounting pad valves



Reference nos. and dimensions

AVK ref. nos.	A mm	B mm	C mm	D mm	Weight kg
57-000-01121	260	52	60	19	1.6

The designs, materials and specifications shown are subject to change without notice due to the continuous development of our product program.