

To AS 2638.2, reduced weight and environmentally friendly
 Stem sealing exchangeable under pressure
 Socket ends to AS/NZS 2280 / AS 1477 Type 2 or AS 1477 Type 1

Use:

For water, sewage and neutral liquid applications

Valve designed for use up to 70°C

Where applicable; for AS 4020 compliance, max temp = 40°C

Note: Always observe pipe material recommended operating temperatures

Tests:

Hydraulic test to AS 2638.2:

Seat: 16 bar

Body: 24 bar

Operating torque test

Optional extras:

Anchor legs for DN 100 & 150 only (ordered separately)

Handwheel

Materials:

Gland flange, body and bonnet	Ductile iron, 500-7 to AS 1831
Stem cap	Ductile iron, 400-12 to AS 1831
Coating	Electrostatically applied epoxy resin - Internally and externally to AS4158
Stem	Stainless steel 431
Stem sealing	NBR wiper ring, 3 NBR O-rings
Wedge	Ductile iron, 500-7 to AS 1831, core fully vulcanised with EPDM rubber, with integral wedge nut of dezincification resistant brass, CZ 132 to AS 2345
Thrust collar and stem seal box	Dezincification resistant brass, CZ 132 to AS 2345
Bonnet & gland bolts	Grade 8.8 sealed with hot melt
Bonnet gasket	EPDM rubber



Australian Standard
 AS2638.2-2006
 Lic. SMK02420
 SAI Global



Health & Safety
 AS 4801
 SAI GLOBAL



Environment
 ISO 14001
 SAI GLOBAL



Anchor legs
 DN 100 & 150 only



AVK Australia's website contains the latest product information and data sheets.

Designs, materials and specifications shown are subject to change without notice due to our continuing program of product development.



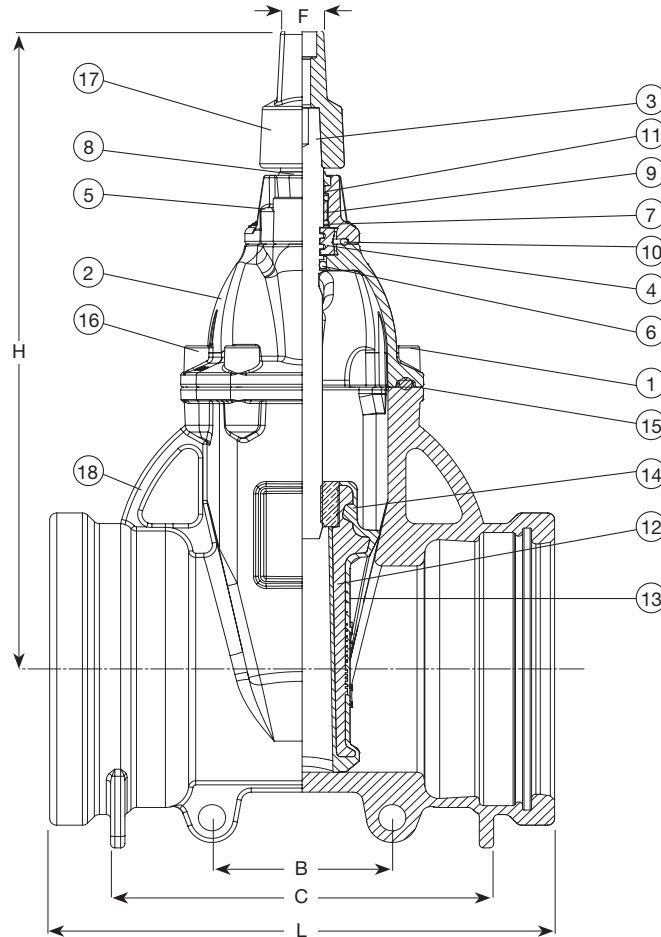
AVK Australia Pty Ltd
 559A Grand Junction Road, Wingfield, SA 5013 Australia
 Tel: +61 8 8368 0900
 Fax: +61 8 8368 0970
 E-mail: info@avkvalves.com.au
 www.avkvalves.com.au
 Copyright© AVK Group A/S 2011

3N5755CQ
 July 2011

To AS 2638.2, reduced weight and environmentally friendly
 Stem sealing exchangeable under pressure
 Socket ends to AS/NZS 2280 / AS 1477 Type 2 or AS 1477 Type 1

Component list

- | | | | |
|------------------|---------------|-------------------|------------------|
| 1. Hot melt | 6. O-ring | 11. Bolt socket | 16. Bolt socket |
| 2. Bonnet | 7. O-ring | 12. Wedge core | 17. Stem cap |
| 3. Stem | 8. Wiper ring | 13. Wedge rubber | 18. Body, socket |
| 4. Thrust collar | 9. Bushing | 14. Wedge nut | |
| 5. Gland flange | 10. O-ring | 15. Bonnet gasket | |



Ref. nos. CC	Ref. nos. ACC	DN	Pipe D.ex. AS1477 Type 1		Pipe D.ex. AS2280/AS1477 Type 2		L mm	C mm	B mm	H mm	F mm	Weight kilos
			mm min.	mm max.	mm min.	mm max.						
57-080-552943122	57-080-553943122	80	88.7	89.1	-	-	316.0	160	-	350	35	17.0
57-100-552943122	57-100-553943122	100	114.1	114.5	-	-	338.0	160	126	373	35	22.5
57-150-552943122	57-150-553943122	150	160.0	160.5	-	-	376.2	175	126	464	35	36.0
57-200-552943122	57-200-553943122	200	225.0	225.6	-	-	463.3	220	-	595	35	74.0
57-225-552943122	57-225-553943122	225	250.0	250.7	-	-	498.9	235	-	595	35	98.0
57-250-552943122	57-250-553943122	250	280.0	280.8	-	-	524.9	245	-	680	35	100.0
57-300-552943122	57-300-553943122	300	315.0	315.9	-	-	531.1	250	-	755	35	142.0
Refer 57/50 Data Sheet		375										
57-080-552943121	57-080-553943121	80	-	-	94	97	316.0	160	-	350	35	17.0
57-100-552943121	57-100-553943121	100	-	-	120	123	338.0	160	126	373	35	22.5
57-150-552943121	57-150-553943121	150	-	-	175	178	376.2	175	126	464	35	36.0
57-200-552943121	57-200-553943121	200	-	-	230	233	463.3	220	-	595	35	74.0
57-225-552943121	57-225-553943121	225	-	-	257	260	498.9	235	-	595	35	98.0
57-250-552943121	57-250-553943121	250	-	-	284	287	524.9	245	-	680	35	100.0
57-300-552943121	57-300-553943121	300	-	-	343	346	531.1	250	-	755	35	142.0
Refer 57/50 Data Sheet		375										