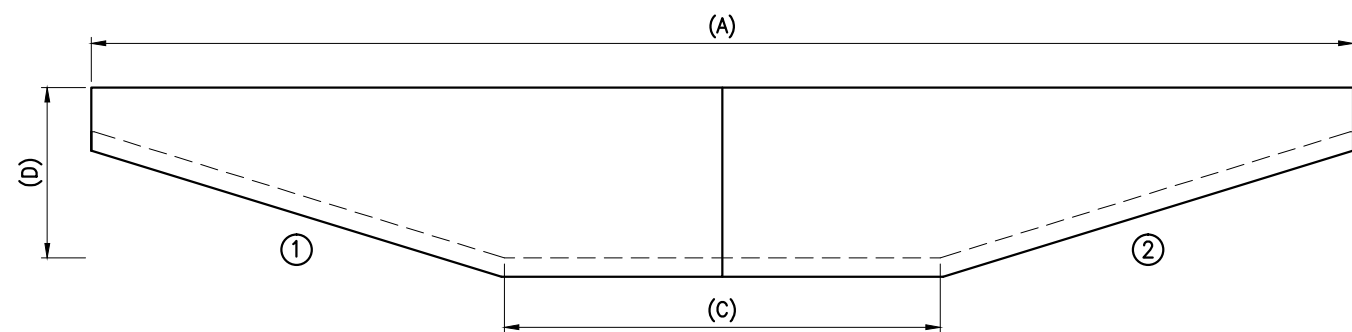
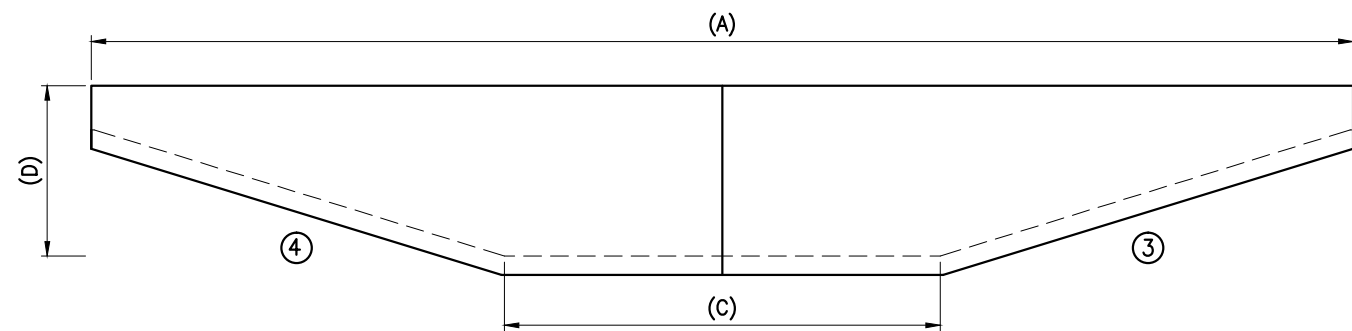


PLAN

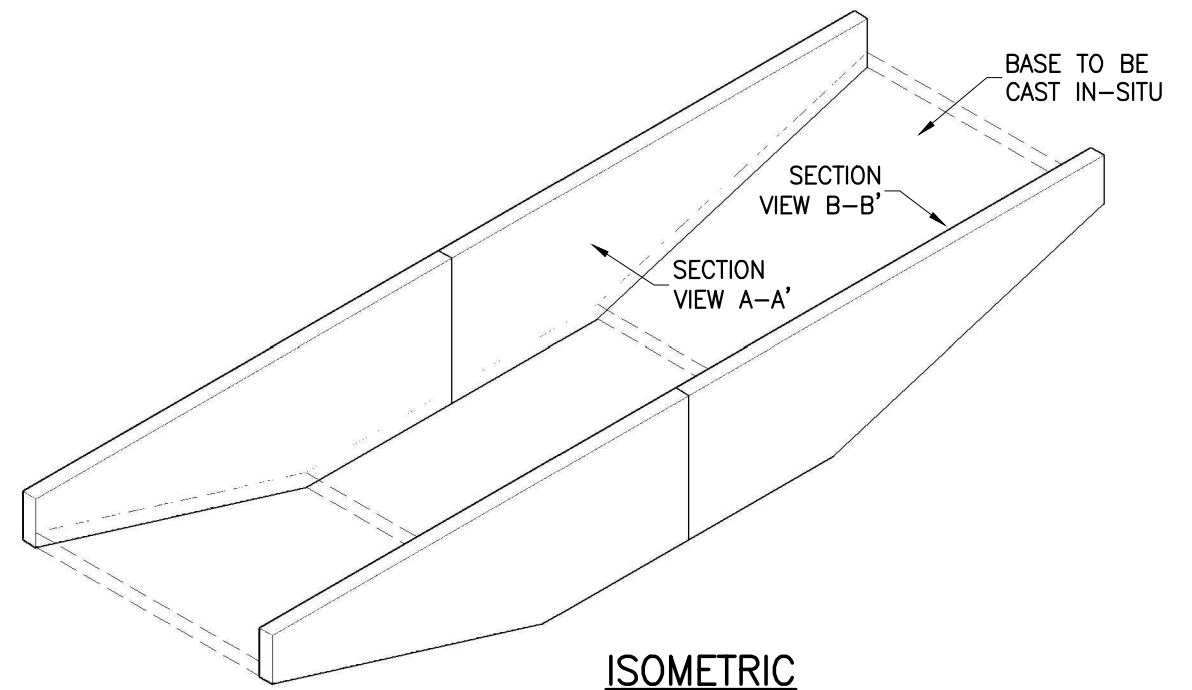


SECTION A-A'



SECTION B-B'

PLEASE INDICATE THE SIZE AND LOCATION OF ANY
PENETRATIONS ON THE WALL SECTIONS ABOVE



ISOMETRIC

CUSTOMER: _____
 LOCATION: _____
 SLAES REP: _____
 DATE: _____

OVERALL LENGTH (A): _____ mm
 INSIDE WIDTH (B): _____ mm
 BASE INTERNAL LENGTH (C): _____ mm
 INTERNAL DEPTH (D): _____ mm

FORWARD COMPLETED FORM TO COSTING SPECIALIST
 WITH A COMPLETED COST REQUEST FORM.

**FOR APPROVAL ONLY
 NOT FOR CONSTRUCTION**

This drawing is the property of Fletcher Concrete & Infrastructure Limited and is subject to return upon demand. It is submitted for use only in connection with proposals and contracts of Humes Pipeline Systems, a division of Fletcher Concrete & Infrastructure Limited upon the express condition that it is not to be reproduced or copied in any form. Data is to be used only with reference to products manufactured and supplied by Humes Pipeline Systems, a division of Fletcher Concrete & Infrastructure Limited.



Humes Pipeline Systems
 Private Bag 92817
 Auckland
 Freephone 0800 502 112
 www.humes.co.nz

VOLUME:
0.0 m³
 WEIGHT:
0.0 TONNE

Rev	Description	Date	By	Chkd
A	FOR REVIEW	28.07.15	SR	JN
B	AS PER COMMENTS	31.07.15	SR	JN

Product: Stone Trap	Details: Drive Thru	Drawn: SR
Code: N/A	Scale: DO NOT SCALE	Checked: BR
Project Name		Approved: JN
DRIVE THRU STONE TRAP PRODUCT DETAILS - SALES DRAWING		ERF Job No. N/A
		Costing No. N/A
Dwg Title: SHEET 1 OF 1	⊕	D175
		B

Rev.	

CONFIDENTIAL
 (NOT TO BE DISCLOSED TO ANY OTHER PERSON WITHOUT PERMISSION FROM FLETCHER CONCRETE & INFRASTRUCTURE LIMITED. UNAUTHORISED DISCLOSURE MAY RESULT IN PROSECUTION)

CODE: N/A