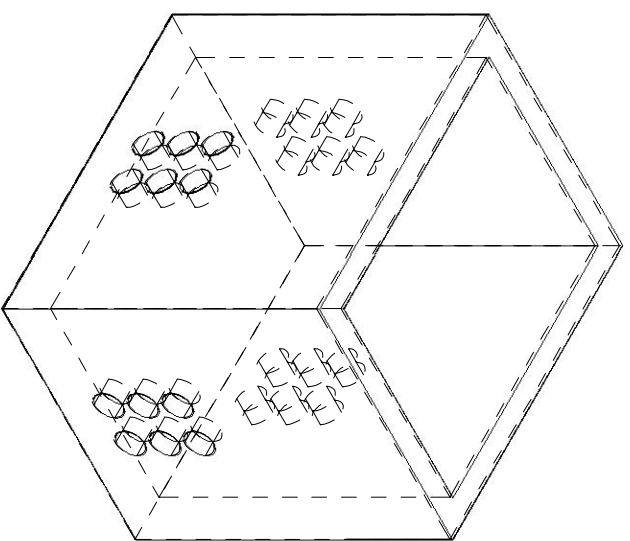
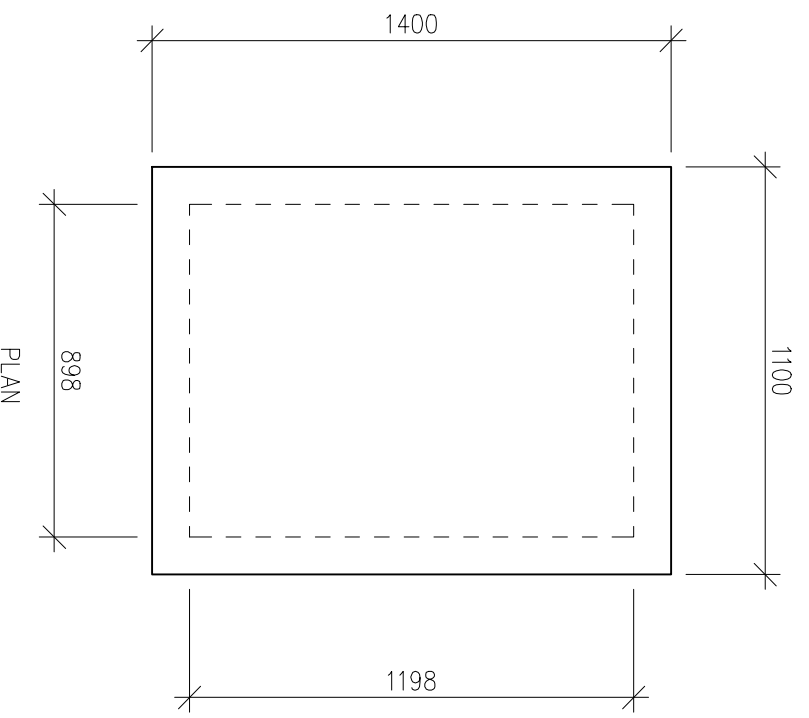


PATTERN OF SIX HOLES Ø117

SOFT SPOT PATTERN ON FOUR
FACES RECESS 65mm DEEP



HUMES

Humes Pipeline Systems
Private Bag 92817
Auckland
Freephone 0800 602 112
www.humes.co.nz

Copyright: This design, information and drawing remain the property of Humes Pipeline Systems and may not be used or copied without approval in writing from Humes Pipeline Systems.

VOLUME:-
0.00m³

WEIGHT:-
1.29 TONNE

Rev	Description	Date	By	Chkd
A	FOR APPROVAL	14-05-13	GB	-
B	NOTE CHANGE	12-08-13	GB	-
C	HUMES CODE ADDED	4-10-13	GB	-

Product PRECAST SPECIAL
Code 04698
Project Name
CONCRETE ACCESS CHAMBER
1200X900X1200 HIGH

Details On SHEET NO.
Layout On SHEET NO.

Dwg Title ELEVATIONS

Scales NTS

Drawn GB
Date 14-05-2013

Checked By -

Dwg. No. H012-W1
Rev. C