



AVK DOUBLE ECCENTRIC BUTTERFLY VALVE, PN16

756

Seal on disc, ISO-input IP67 gearbox, DN700-1200, plate disc, short

AVK double eccentric butterfly valves are designed with tilted and fixated disc for extended service life and easy operation. The disc seal is made of AVK's drinking water approved EPDM rubber featuring an excellent compression set and thus ability to regain its original shape. FBE epoxy coating and the corrosion protected shaft end zones ensure high durability. The valves are suitable for bi-directional application.

Product Description:

Double eccentric butterfly valve to EN 593 w. ss seat and ISO-input IP67 gearbox for drinking water and neutral liquids to max. 70°C

Standards:

- Designed according to EN 593
- Face to face according to EN 558 Series 13 (AS 4795.2)
- Standard flange drilling to AS 4087 Figure B5 (AS 2129 Table D)

Test/Approvals:

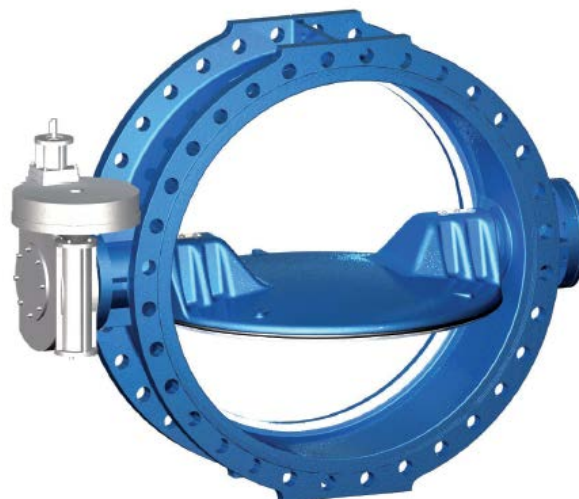
- Hydraulic test according to AS 4795
- Seat: 17.6 bar, bi-directional
- Body: 24 bar
- Approved according to WRAS Certificate No. 1111078
- Approved according to DIN-DVGW Certificate NW-6201BR0451
- Approved according to KIWA Certificate K 6320 (DN700-800 only)

Features:

- The tilted disc releases the compression of the disc sealing after a few degrees of opening, which extends the durability and gives low operating torques
- The disc is fixated to prevent wear and fluttering
- The disc seal profile and rubber quality ensure low closing torques
- All rubber parts are multi approved
- Seal retainer ring of Stainless Steel
- The threaded bolt holes in the disc are corrosion protected with O-rings
- Replaceable seat ring of Stainless Steel pressed into the body and sealed with an O-ring
- Shaft of Stainless Steel with self-lubricating bearings
- The shaft ends are corrosion protected with a Stainless Steel security plate and a gasket
- Replaceable shaft sealing with an EPDM O-ring on a stainless steel ring, a back-up EPDM O-ring in the housing, and a flat NBR gasket
- Optional locking device
- Body and disc of Ductile Iron with epoxy coating to AS 4158, RAL 5017

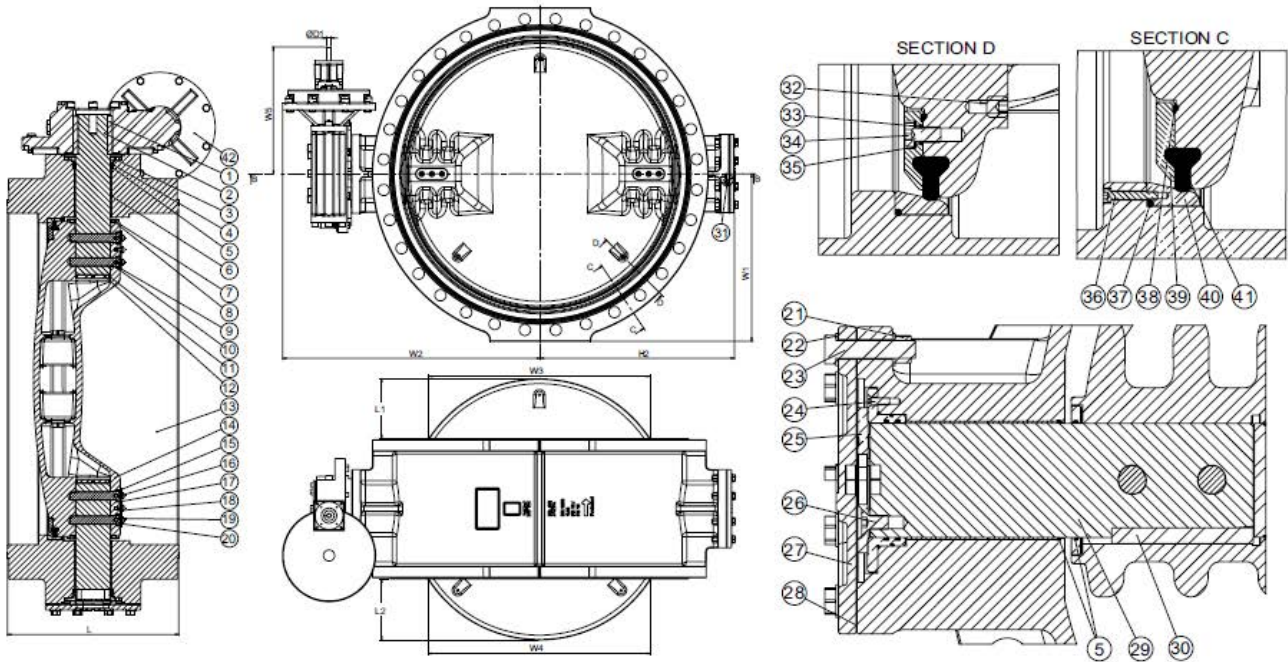
Options:

- Closure direction
- Gearbox configuration
- Position of Actuation
- IP68 or IP68 buried service gear operator
- Extension systems for buried service
- Electric Actuation



kiwa

Expect... **AVK**



Component list

1. Key	Stainless Steel A2	22. Washer	Stainless Steel A4
2. Valve shaft	Stainless Steel AISI 431	23. Screw	Stainless Steel A4
3. Seal housing	Bronze	24. Screw	Stainless Steel A4
4. O-ring	EPDM rubber	25. Axial bearing	Bronze
5. O-ring	EPDM rubber	26. Screw	Stainless Steel A4
6. Self-lubricating bearing	Lead free PTFE sliding face	27. End plate	Ductile Iron, EN-GJS-500-7 (GGG-50)
7. Disc cover	Stainless Steel	28. Gasket	EPDM rubber
8. Disc cover gasket	EPDM rubber	29. Stub shaft	Stainless Steel AISI 431
9. O-ring	EPDM rubber	30. Safety key	Stainless Steel
10. Dowel	Stainless Steel A4	31. Screw	Stainless Steel A4
11. O-ring	EPDM rubber	32. Screw	Stainless Steel A4
12. Plug	Steel	33. O-ring	EPDM rubber
13. Body	Ductile Iron, EN-GJS-500-7 (GGG-50)	34. Bolt	Stainless Steel A4
14. Disc	Ductile Iron, EN-GJS-500-7 (GGG-50)	35. Washer	Stainless Steel A4
15. Security plate	Stainless Steel	36. Screw	Stainless Steel A4
16. Screw	Stainless Steel A4	37. O-ring	EPDM rubber
17. O-ring	EPDM rubber	38. O-ring	EPDM rubber
18. Spring washer	Stainless Steel A4	39. Seal retainer ring	Stainless Steel
19. O-ring	EPDM rubber	40. Seat ring	Stainless Steel
20. Washer	Stainless Steel	41. Disc ring	EPDM rubber
21. Nut	Stainless Steel A4	42. Gearbox	Cast Iron

Components can be substituted with equivalent or higher class materials.

Reference nos. and dimensions

AVK ref. nos.	DN mm	Flange drilling	L mm	L1 mm	L2 mm	H2 mm	W1 mm	W2 mm	W3 mm	W4 mm	d1 mm	ISO flange	Theoretical weight kg
756-0700-2547XXX13	700	AS 4087 B5	292	196	202	550	455	656	622	627	20	10	511
756-0800-2547XXX13	800	AS 4087 B5	318	232	238	620	530	735	718	724	20	10	735
756-0900-2547XXX13	900	AS 4087 B5	330	276	282	690	588	1057	822	827	20	10	863
756-1000-2547XXX13	1000	AS 4087 B5	410	286	292	770	628	1137	896	902	20	10	1113
756-1200-2547XXX13	1200	AS 4087 B5	470	349	355	855	743	1222	1073	1078	20	10	1709

XXX = Options to be specified