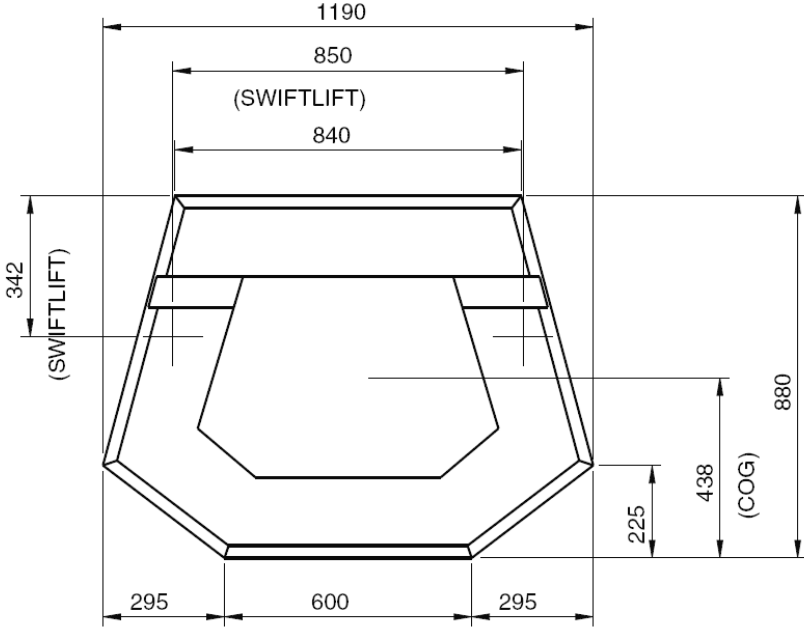
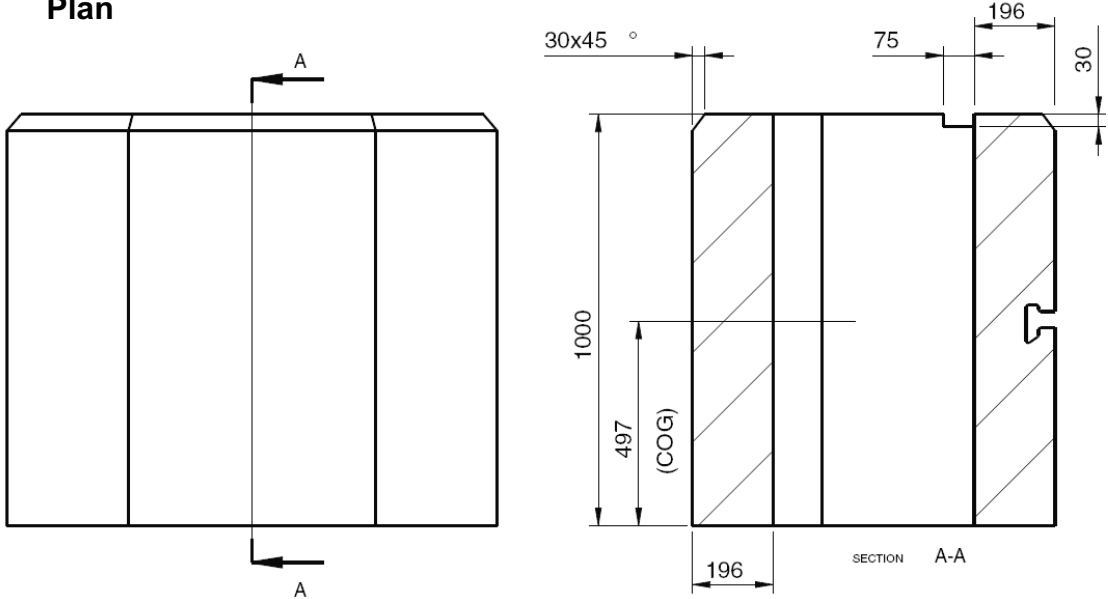


Standard block



Plan



Front elevation

Section A-A