



SUPA PLUS™ COUPLING

621/41

Coupling with tensile resistant sealing ring for PE-pipe
For Polyethylene pipes PE100, PN16 - SDR11 to AS/NZ 4130

Use:

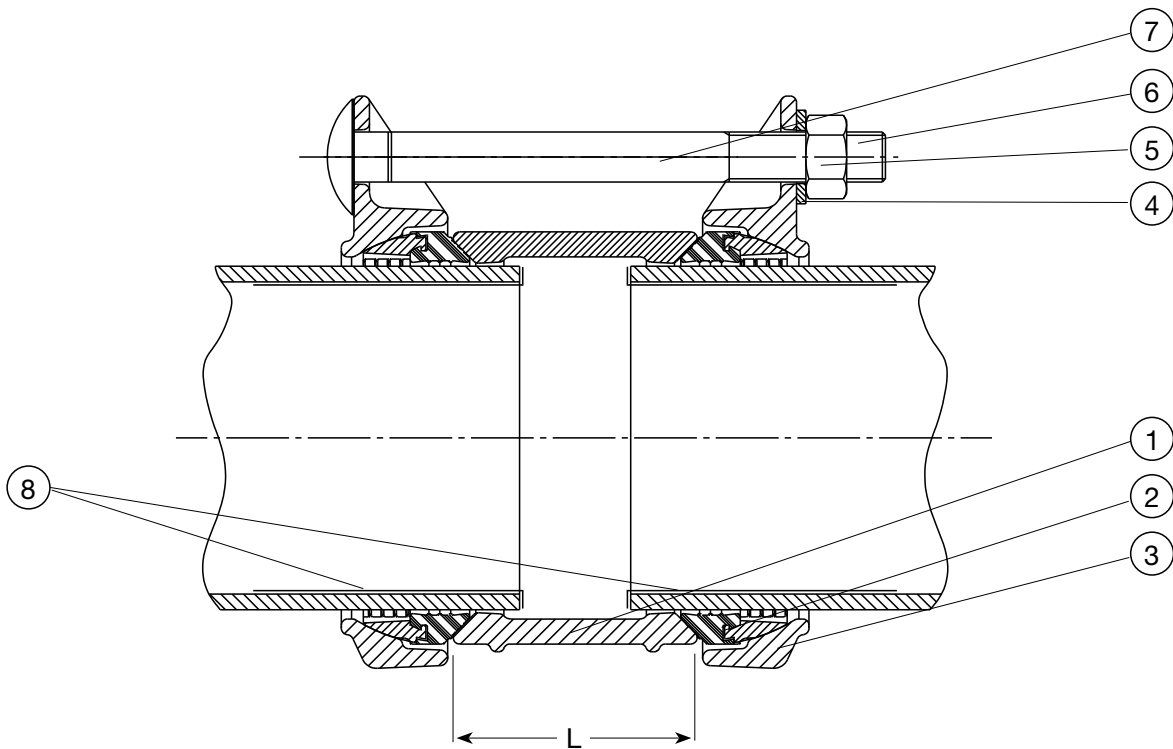
- For water and neutral liquids
- Total angular deflection of ± 3.5 degrees
- Highest allowable temperature as for the pipe used, however max. 70°C

Approvals:

- Coating to AS 4020
- EPDM to WRAS

- AVK always recommend the series 05 support bush be utilised when using Polyethylene pipe systems and AVK tensile resistant sealing ring (Supa Plus™) fittings and valves.





Component list

1. Sleeve	Ductile Iron, min. GGG-40 to DIN 1693 (EN-GJS-400: EN1563: 1997)
2. Tensile sealing ring	Gun metal, DIN 17005 RG5/EPDM rubber
3. Bracket	Ductile Iron, min. GGG-40 to DIN 1693 (EN-GJS-400: EN1563: 1997)
4. Washer	316 Stainless Steel
5. Nut	316 Stainless Steel PTFE coated
6. Cap	Plastic
7. Square neck bolt	316 Stainless Steel PTFE coated
8. Support bush	316 Stainless Steel

Components can be substituted with equivalent or higher class materials.

Reference nos. and dimensions

AVK ref. nos.	OD PE	Bolts	L mm	Theoretical weight kg	SUPPORT BUSH PE 100, PN 16 - SDR 11 Ref. no.s
621-10-090-41121	90	2M16	70	4.7	05-090-54001
621-10-110-41121	110	4M16	78	6.5	05-110-74001
621-10-125-41121	125	4M16	78	8.0	05-125-74001
621-10-140-41121	140	4M16	88	9.0	05-140-74001
621-10-160-41121	160	4M16	88	9.8	05-160-74001
621-10-180-41121	180	4M16	110	13.0	05-180-74001
621-10-200-41121	200	6M16	110	15.5	05-200-74001
621-10-225-41121	225	6M16	110	19.5	05-225-74001
621-10-250-41121	250	6M16	110	28.0	05-250-74001
621-10-280-41121	280	6M16	110	30.0	05-280-74001
621-10-315-41121	315	6M16	168	45.0	05-315-74001