



AVK WAFER BUTTERFLY VALVE, CENTRIC WITH LOOSE LINER PN16 76/70



Centric butterfly valve with loose liner designed according to EN 593
Face to face according to EN 558-2008 table 2 basic series 20
Standard flange drilling to AS 2129 Table D / AS 4087 B5

**Use:**

- For water and neutral liquids to max. 70°C
- For cold drinking water application up to 23°C

**Tests:**

- Hydraulic test to EN 12266 P10/P12

Actuation:

- DN50-DN200 delivered with lever
- DN250-DN300 with wormgear

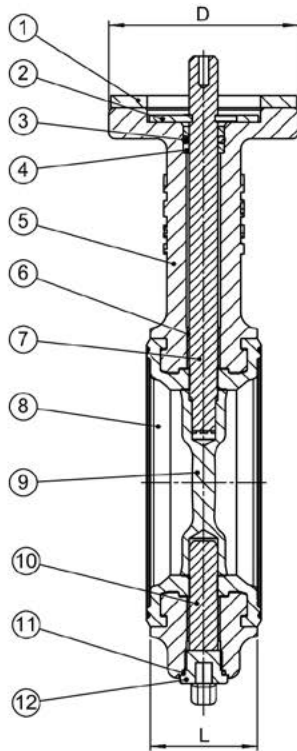
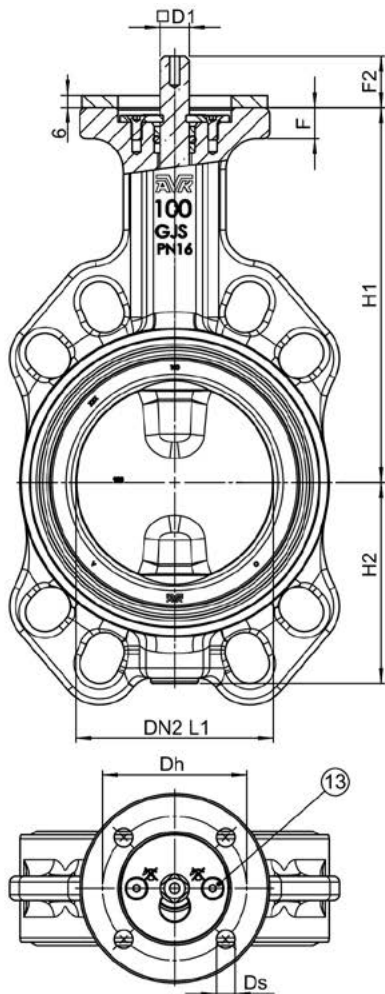
Approvals:

- WRAS drinking water approval



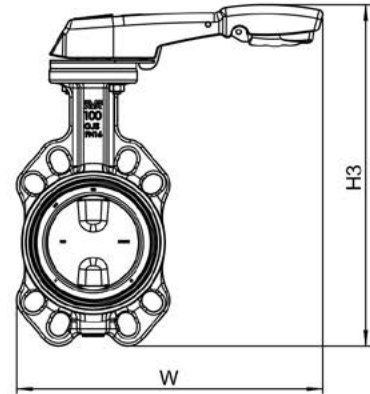
WRAS
Water Regulations Advisory Scheme

Expect... **AVK**

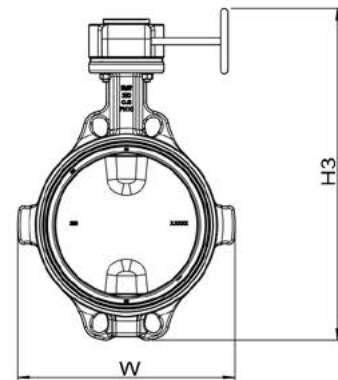


Centric design with loose liner

The centric design with loose rubber liner makes it possible to exchange the rubber liner to extend the valve's durability, and to apply epoxy coating electrostatically for improved corrosion resistance. The rubber liner provides resilient seal and a flattened seating area around the shaft giving optimum disc sealing. The 2 stub shaft results in a very slim disc featuring a very low pressure loss across the valve.



DN50-DN200 delivered with lever



DN250-DN300 with wormgear

Component list

1. Dew point blocker	PP
2. Plate	POM
3. O-ring	EPDM (item 3) / NBR (item 11)
4. Ring	POM
5. Body	Ductile Iron EN 1563 EN-GJS-500/7
6. Bearing	Steel/PTFE
7. Drive Shaft	Stainless Steel EN10088 No. 1.4021 / AISI 420
8. Loose liner	EPDM with WRAS drinking water approval
9. Disc	Stainless Steel EN10088 No. 1.4408
10. Stub Shaft	Stainless Steel EN10088 No. 1.4021 / AISI 420
11. O-ring	EPDM (item 3) / NBR (item 11)
12. Plug	POM
13. Countersunk Screw	Stainless Steel A2

Components can be substituted with equivalent or higher class materials.

Reference nos. and dimensions

AVK ref. nos.	DN mm	PN rating	DN2L1 mm	L mm	F mm	F2 mm	D mm	D1 mm	Dh mm	Ds mm	H1 mm	H2 mm	W mm	H3 mm	Theoretical weight kg
76-0050-71-837440690305	50	AS2129D	48	43	12	18	67	9	50	7	125	65	254	252	3.3
76-0065-71-837440690305	65	AS2129D	63	46	12	18	67	9	50	7	150	78	261	290	4.1
76-0080-71-837440690305	80	AS2129D	77	46	12	18	67	9	50	7	157	85	284	309	5.4
76-0100-71-837442690305	100	AS2129D	96	52	15	25	92	11	70	9	182	98	344	353	8.0
76-0125-71-837442690305	125	AS2129D	121	56	15	25	92	14	70	9	201	114	359	387	11
76-0150-71-837442690305	150	AS2129D	146	56	15	25	92	14	70	9	214	127	370	411	12
76-0200-71-837442690305	200	AS2129D	197	60	18	31	92	17	70	9	245	158	551	479	19
76-0250-71-837442390303	250	AS2129D	247	68	20	38	130	22	102	11	283	194	394	572	30
76-0300-71-837442390303	300	AS2129D	297	78	20	38	130	22	102	11	308	219	461	630	43