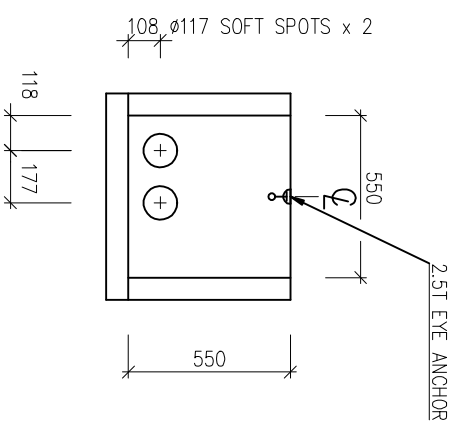


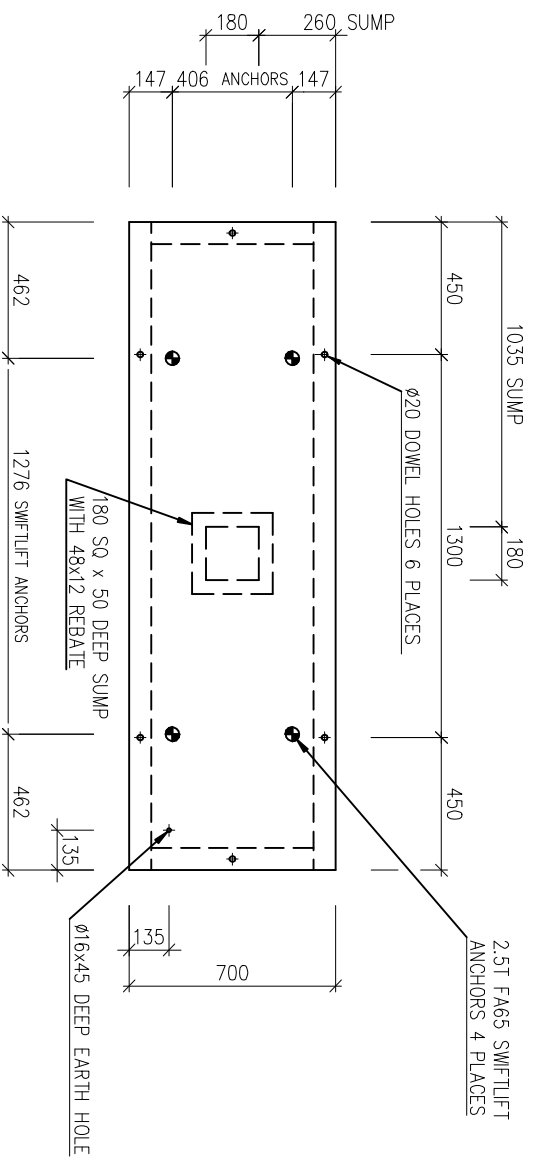
SIDE WALL (75mm 2 OFF)

VOL: 0.91HI
WT: 0.23T



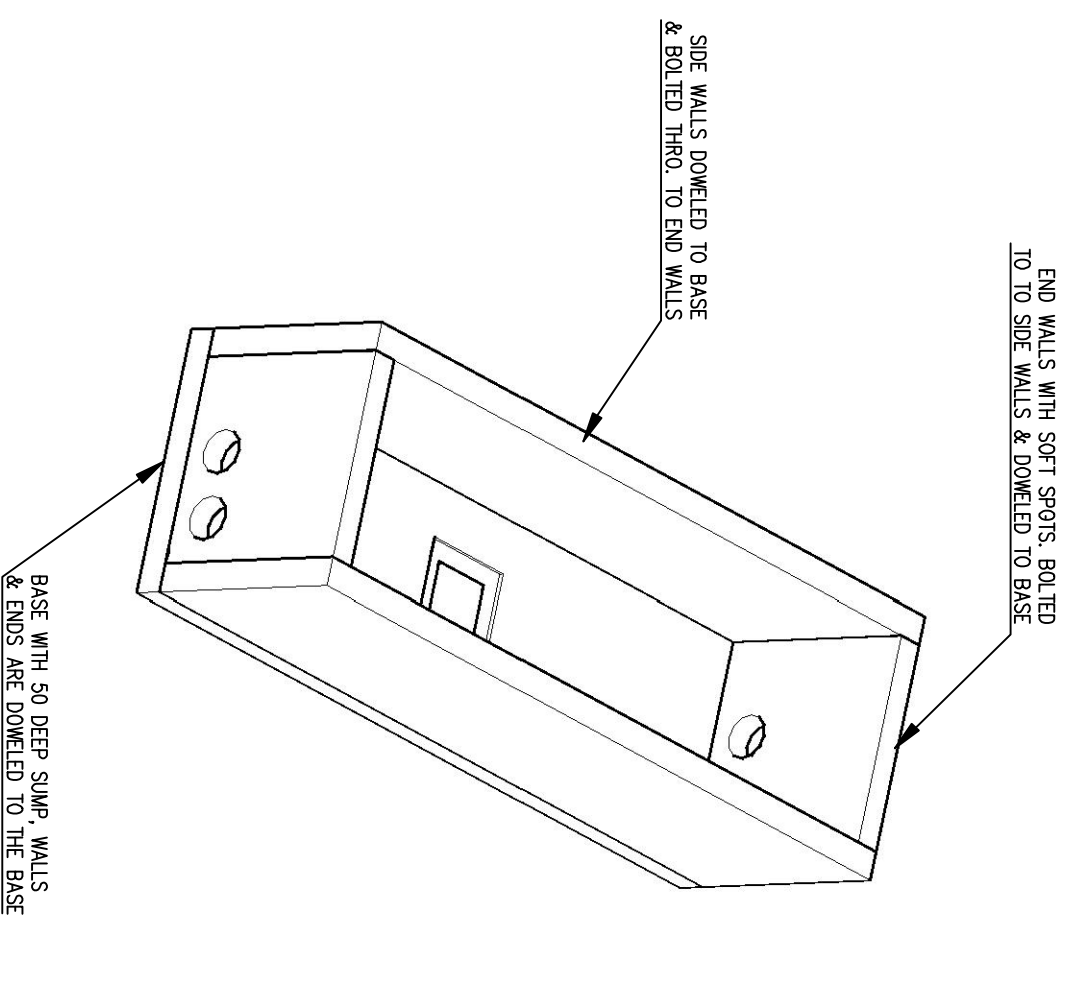
END WALL (75mm 2 OFF)

VOL: 0.23HI
WT: 0.06T



BASE (75mm 1 OFF)

VOL: 1.16HI
WT: 0.29T



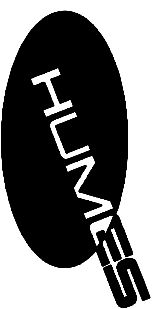
END WALLS WITH SOFT SPOTS. BOLTED TO SIDE WALLS & DOWELED TO BASE

SIDE WALLS DOWELED TO BASE & BOLTED THRO. TO END WALLS

BASE WITH 50 DEEP SUMP, WALLS & ENDS ARE DOWELED TO THE BASE

NOTES:

- 1 MANUFACTURE IN ACCORDANCE WITH NZS 3109:1997 (PRECAST UNITS)
- 2 CONCRETE STRENGTH @ 28 DAYS 40MPa, MIN. STRIPPING STRENGTH 15MPa
- 3 REINFORCEMENT STEEL IN ACCORDANCE WITH NZS 3422 & NZS 3402 HD BARS = 430MPa & MESH = 485MPa
- 4 SURFACE FINISHES TO NZS 3114:1987, FORMED SURFACE - F4 FINISH & TROWELLED SURFACE - U2 FINISH
- 5 ALL JOINTS TO BE EPOXIED
- 6 FOR LIFTING OF COMPLETE UNIT (EXCLUDING LID) A FOUR POINT EQUALISED SYSTEM USING THE 5T FA120 ANCHORS ONLY SHOULD BE USED



Humes Pipeline Systems
Private Bag 82817
Auckland
Telephone 0800 502 112
www.humes.co.nz

Copyright: The design, information and drawing remain the property of Humes Pipeline Systems and may not be used or copied without approval in writing from Humes Pipeline Systems.

Contractor	HUMES	Product	INSP. CHAMBER	Details On	SHEET 2/3	Scales	NTS
Rev	A	Description	FOR APPROVAL FOR CONSTRUCTION	Date	13-08-08	Drawn	GB
By	CH	Chkd	CH	Project Name	TELCO 2050x550x550 HIGH FOOTWAY CHAMBER	Checked By	-
Dwg Title	ELEVATIONS			Dwg No.	04824-S1	Rev.	B