



## AVK FLANGED OFFTAKE CLAMPS PN16

748

Flanged repair clamps, PN16, DN100 to DN450 (470mm OD)  
Flanged repair clamps range DN100 to DN900  
Offtake sizes DN80 to DN300 (depending on host pipe size)  
For use on Cast Iron, Ductile Iron, Steel, PVC-U, PVC-M, AC and copper pipes  
Flange drilling, PN16 to AS 4087 with Table C, D compatible drilling (AS 2129)  
Range extends beyond DN450  
For sizes and configurations not listed, please contact AVK Wang

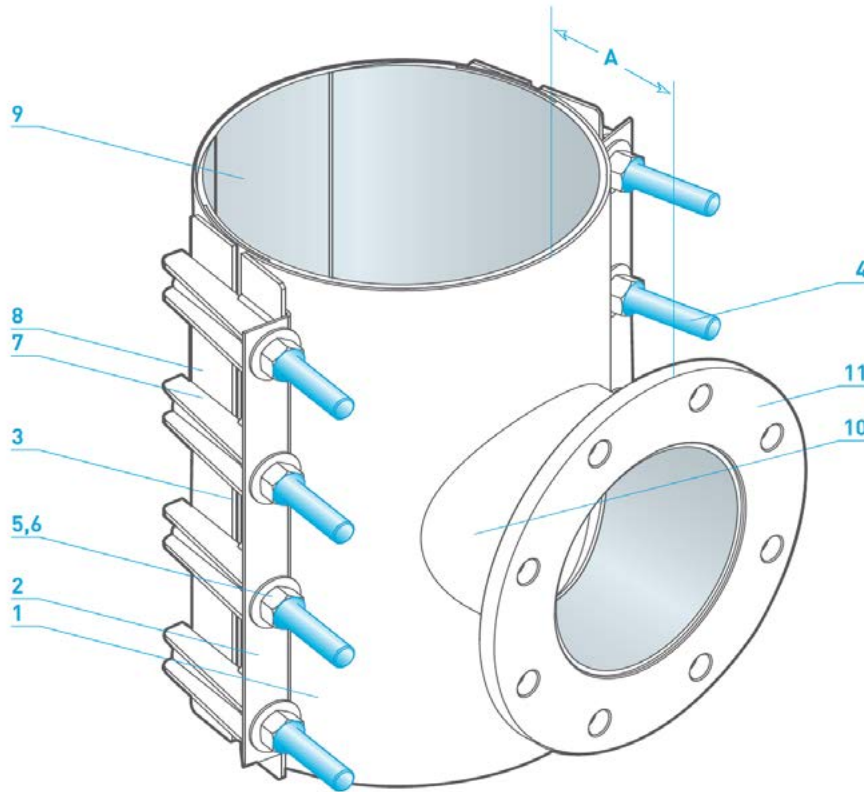
### Use:

- Pipelines used in water reticulation, sewage, wastewater and irrigation
- Temperature range from -10°C to 60°C
- 16 bar / 160 metres allowable operating pressure (AOP) to DN450
- Suitable for applications with pipe stiffness above SN 10,000
- This product does not provide axial pipe restraint
- For size on size tapplings, it is recommended to use the next lowest DN sized shell cutter, in accordance with WSAA under pressure tapping code of practice

### Standards and Approvals:

- Manufacturing facility certified to ISO 9001 quality assurance standard
- Fully conforming to AS/NZS 4181-1999 Stainless Steel clamps for waterworks purposes
- Standards Licence Mark SMK 1785 to AS/NZS 4181-1999





OFFTAKE DIMENSIONS

| Flange size | A     |
|-------------|-------|
| 80-150      | 90mm  |
| 220-225     | 105mm |
| 250-300     | 125mm |

| Nominal DN | Clamp length mm | Offtake DN |
|------------|-----------------|------------|
| 100-125    | 400             | 80-100     |
| 150-300    | 400             | 80-150     |
| 375-450    | 400             | 80-150     |
| 200-450    | 600             | 80-250     |
| 300-450    | 800             | 300        |

**Component list**

|                  |  |                    |  |
|------------------|--|--------------------|--|
| 1. Skin          | 316 Stainless Steel / ASTM A240M                               | 7. Lugs            | 316 Stainless Steel / ASTM A276                            |
| 2. Locking plate | 316 Stainless Steel / ASTM A240M                               | 8. Flats           | 316 Stainless Steel / ASTM A276                            |
| 3. Bridge plate  | 316 Stainless Steel bonded to gasket / ASTM A240M              | 9. Sealing gasket  | Full-circle nitrile (NBR) compound AS 1646 and AS/NZS 4020 |
| 4. Studs         | 316 Stainless Steel - anti-galling compound coated / ASTM A276 | 10. Offtake pipe   | 316 Stainless Steel / ASTM A312M or ASME B36.19M           |
| 5. Nuts          | 316 Stainless Steel - anti-galling compound coated / AS 1112.1 | 11. Offtake flange | 316 Stainless Steel / ASTM A240M or A182, AS 4087          |
| 6. Washers       | 316 Stainless Steel / ISO 7089                                 |                    |  |

Components can be substituted with equivalent or higher class materials.

**Reference nos. and dimensions**

| AVK ref. nos.         | DN mm | Material | Clamp length mm | Sealing range mm | No. of parts |
|-----------------------|-------|----------|-----------------|------------------|--------------|
| 748-912-011004-00-1?? | 100   | 316 SS   | 400             | 110-115          | 2            |
| 748-912-012004-00-1?? | 100   | 316 SS   | 400             | 120-125          | 2            |
| 748-912-014004-00-1?? | 125   | 316 SS   | 400             | 140-150          | 2            |
| 748-912-015004-00-1?? | 150   | 316 SS   | 400             | 150-160          | 2            |
| 748-912-016004-00-1?? | 150   | 316 SS   | 400             | 160-170          | 2            |
| 748-912-017504-00-1?? | 150   | 316 SS   | 400             | 175-185          | 2            |
| 748-912-020004-00-1?? | 200   | 316 SS   | 400             | 200-210          | 2            |
| 748-912-021504-00-1?? | 200   | 316 SS   | 400             | 215-225          | 2            |
| 748-912-022504-00-1?? | 200   | 316 SS   | 400             | 225-235          | 2            |
| 748-912-023004-00-1?? | 200   | 316 SS   | 400             | 230-240          | 2            |
| 748-912-025004-00-1?? | 225   | 316 SS   | 400             | 250-260          | 2            |
| 748-912-025006-00-1?? | 225   | 316 SS   | 600             | 250-260          | 2            |
| 748-912-026004-00-1?? | 225   | 316 SS   | 400             | 260-270          | 2            |
| 748-912-026006-00-1?? | 225   | 316 SS   | 600             | 260-270          | 2            |
| 748-912-027004-00-1?? | 250   | 316 SS   | 400             | 270-280          | 2            |
| 748-912-027006-00-1?? | 250   | 316 SS   | 600             | 270-280          | 2            |
| 748-912-027504-00-1?? | 250   | 316 SS   | 400             | 275-285          | 2            |

The designs, materials and specifications shown are subject to change without notice due to the continuous development of our product program.

| AVK ref. nos.         | DN<br>mm | Material | Clamp length<br>mm | Sealing range<br>mm | No. of parts |
|-----------------------|----------|----------|--------------------|---------------------|--------------|
| 748-912-027506-00-1?? | 250      | 316 SS   | 600                | 275-285             | 2            |
| 748-912-028504-00-1?? | 250      | 316 SS   | 400                | 285-295             | 2            |
| 748-912-028506-00-1?? | 250      | 316 SS   | 600                | 285-295             | 2            |
| 748-912-031004-00-1?? | 300      | 316 SS   | 400                | 310-320             | 2            |
| 748-912-031006-00-1?? | 300      | 316 SS   | 600                | 310-320             | 2            |
| 748-912-032004-00-1?? | 300      | 316 SS   | 400                | 320-330             | 2            |
| 748-912-032006-00-1?? | 300      | 316 SS   | 600                | 320-330             | 2            |
| 748-912-033004-00-1?? | 300      | 316 SS   | 400                | 330-340             | 2            |
| 748-912-033006-00-1?? | 300      | 316 SS   | 600                | 330-340             | 2            |
| 748-912-033008-00-1?? | 300      | 316 SS   | 800                | 330-340             | 2            |
| 748-912-034004-00-1?? | 300      | 316 SS   | 400                | 340-350             | 2            |
| 748-912-034006-00-1?? | 300      | 316 SS   | 600                | 340-350             | 2            |
| 748-912-034008-00-1?? | 300      | 316 SS   | 800                | 340-350             | 2            |
| 748-912-035004-00-1?? | 300      | 316 SS   | 400                | 350-360             | 2            |
| 748-912-035006-00-1?? | 300      | 316 SS   | 600                | 350-360             | 2            |
| 748-912-038004-00-1?? | 350      | 316 SS   | 400                | 380-390             | 2            |
| 748-912-038006-00-1?? | 350      | 316 SS   | 600                | 380-390             | 2            |
| 748-912-039004-00-1?? | 350      | 316 SS   | 400                | 390-400             | 2            |
| 748-912-039006-00-1?? | 350      | 316 SS   | 600                | 390-400             | 2            |
| 748-912-039008-00-1?? | 350      | 316 SS   | 800                | 390-400             | 2            |
| 748-912-040004-00-1?? | 375      | 316 SS   | 400                | 400-410             | 2            |
| 748-912-040006-00-1?? | 375      | 316 SS   | 600                | 400-410             | 2            |
| 748-912-041004-00-1?? | 375      | 316 SS   | 400                | 410-420             | 2            |
| 748-912-041006-00-1?? | 375      | 316 SS   | 600                | 410-420             | 2            |
| 748-912-042004-00-1?? | 375      | 316 SS   | 400                | 420-430             | 2            |
| 748-912-042006-00-1?? | 375      | 316 SS   | 600                | 420-430             | 2            |
| 748-912-042008-00-1?? | 375      | 316 SS   | 800                | 420-430             | 2            |
| 748-912-043004-00-1?? | 375      | 316 SS   | 400                | 430-440             | 2            |
| 748-912-043006-00-1?? | 375      | 316 SS   | 600                | 430-440             | 2            |
| 748-912-044004-00-1?? | 400      | 316 SS   | 400                | 440-450             | 2            |
| 748-912-044006-00-1?? | 400      | 316 SS   | 600                | 440-450             | 2            |
| 748-912-045004-00-1?? | 400      | 316 SS   | 400                | 450-460             | 2            |
| 748-912-045006-00-1?? | 400      | 316 SS   | 600                | 450-460             | 2            |
| 748-912-045008-00-1?? | 400      | 316 SS   | 800                | 450-460             | 2            |
| 748-912-048004-00-1?? | 450      | 316 SS   | 400                | 480-490             | 2            |
| 748-912-048006-00-1?? | 450      | 316 SS   | 600                | 480-490             | 2            |
| 748-912-049004-00-1?? | 450      | 316 SS   | 400                | 490-500             | 2            |
| 748-912-049006-00-1?? | 450      | 316 SS   | 600                | 490-500             | 2            |
| 748-912-050004-00-1?? | 450      | 316 SS   | 400                | 500-510             | 2            |
| 748-912-050006-00-1?? | 450      | 316 SS   | 600                | 500-510             | 2            |
| 748-912-050008-00-1?? | 450      | 316SS    | 800                | 500-510             | 2            |