

For Polyethylene pipes PE 100, PN 16 - SDR11 to AS/NZ 4130

Use:

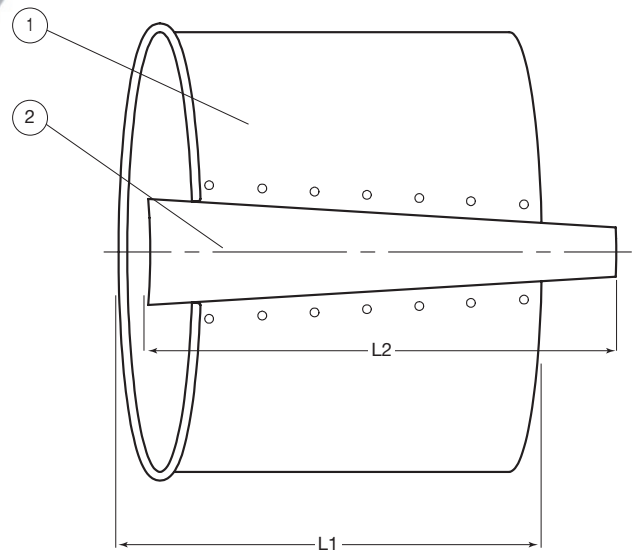
AVK always recommend the support bush be utilised when using Polyethylene pipe systems and AVK tensile resistant sealing ring (Supa Plus™) fittings and valves.

Materials:

Bush and wedge Stainless steel 316

Component list

1. Bush
2. Wedge



Ref. nos.	PE pipe D.ex. mm	L1 DN	L2 mm	Weight kilos
05-063-54000	63	100	100	0.12
05-075-54000	75	100	100	0.14
05-090-54000	90	140	140	0.29
05-110-74000	110	90	160	0.31
05-125-74000	125	90	160	0.34
05-140-74000	140	90	160	0.37
05-160-74000	160	100	165	0.63
05-180-74000	180	100	165	0.65
05-200-74000	200	100	165	0.68
05-225-74000	225	110	180	0.87
05-250-74000	250	110	180	0.92
05-280-74000	280	110	180	1.14
05-315-74000	315	110	180	1.16

AVK Australia's website contains the latest product information and data sheets.

Designs, materials and specifications shown are subject to change without notice due to our continuing program of product development.



AVK Australia Pty Ltd
 559A Grand Junction Road, Wingfield, SA 5013 Australia
 Tel: +61 8 8368 0900
 Fax: +61 8 8368 0970
 E-mail: info@avkvalves.com.au
 www.avkvalves.com.au
 Copyright© AVK Group A/S 2009

3N05AQ
 September 2009