



AVK DOUBLE ORIFICE AIR RELEASE VALVE

851/10
851/20



Double Orifice air release valve PN16 & PN25
Built in accordance with AS 4956
Inlet flange drilling to AS 4087 B5 (PN16) & AS 2129 Table F (PN25)



Use:

- For water (not sewage) and neutral liquid applications
 - Valve designed for use up to 70°C
 - Where applicable for AS 4020 compliance, max temp = 40°C
- Note: Always observe pipe material recommended operating temperatures

Working pressure: min 0.1 bar
max. 16 bar - PN16
max. 25 bar - PN25

Tests:

- Hydraulic test: 1.5 x PN



Features:

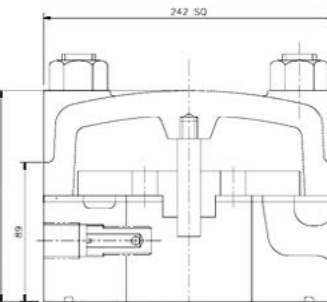
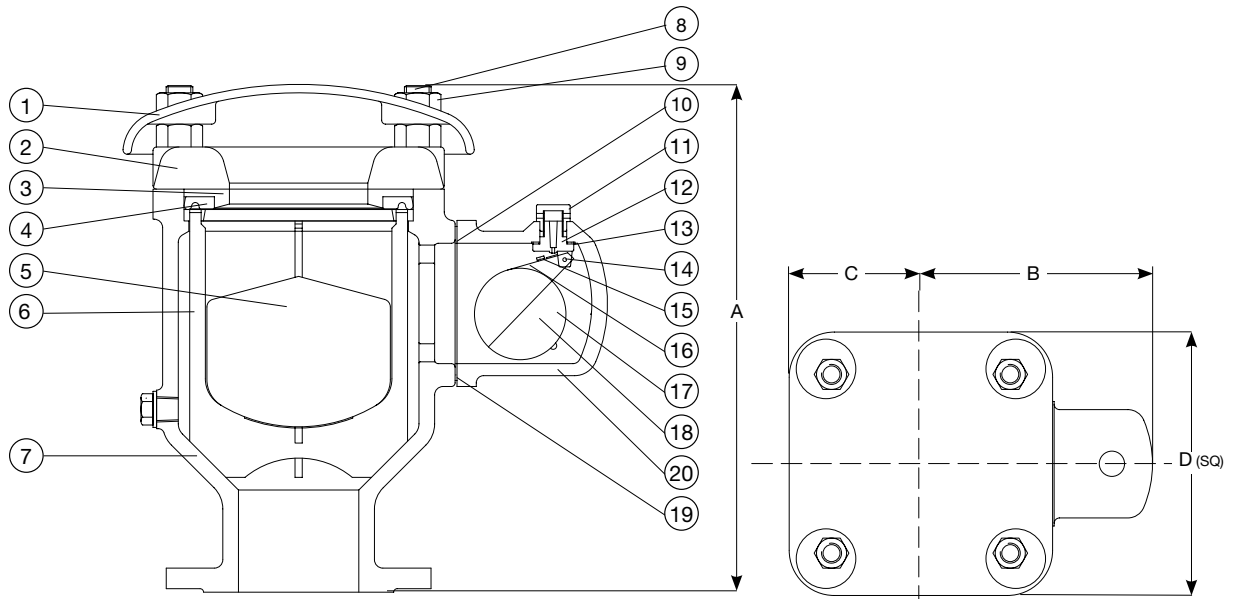
- Cylindrical large orifice float
- Embodies unique aerokinetic feature
- Does not shut prematurely
- Release of large volumes of air during pipeline filling
- Allows inflow of large volumes of air when pipe is emptied
- Release of air under pressure
- Low maintenance
- Streamlined air flow

Options:

- Isolating: gate or butterfly valve
- Pipe outlet connection
- Inflow check valve
- Vented non return valve (surge-alleviation)



Expect... **AVK**



Vented non-return kit that can be fitted to a standard valve

Component list

| | | | |
|------------------------|--------------------------------|---------------------|--------------------------------|
| 1. Cowl | Ductile Iron, 500-7 to AS 1831 | 11. Orifice cover | Nylon |
| 2. Cover | Ductile Iron, 500-7 to AS 1831 | 12. Orifice bracket | Nylon |
| 3. Seat ring | ABS | 13. Gasket | EPDM WBS listed |
| 4. Seat support ring | ABS plastic | 14. Fulcrum pin | 316 Stainless Steel |
| 5. Float | ABS plastic | 15. Adjusting screw | 316 Stainless Steel |
| 6. Float guide | ABS plastic | 16. Sealing face | |
| 7. Body (low pressure) | Ductile Iron, 500-7 to AS 1831 | 17. Float and lever | ABS plastic |
| 8. Screw | 316 Stainless Steel | 18. Float | ABS plastic |
| 9. Hexagon nut | 316 Stainless Steel | 19. Gasket | EPDM WBS listed |
| 10. Screw, h/soc. cap | 316 Stainless Steel | 20. Body | Ductile Iron, 500-7 to AS 1831 |

Components can be substituted with equivalent or higher class materials.

Reference nos. and dimensions

| AVK ref nos. | DN mm | A mm | B mm | C mm | D mm | Weight kilos |
|---|----------|---------|---------|---------|---------|-----------------|
| PN16 - Flange drilling AS 4087 B5 | | | | | | |
| 851-050-20523000 | 50 | 266 | 210 | 81 | 162 | 20.4 |
| 851-080-20523000 | 80 | 345 | 236 | 111 | 222 | 31.7 |
| 851-100-20523000 | 100 | 417 | 255 | 146 | 292 | 51.7 |
| 851-150-20523000 | 150 | 417 | 255 | 146 | 292 | 57.2 |
| PN25 - Flange drilling AS 2129 Table F | | | | | | |
| 851-050-10923008 | 50 | 266 | 210 | 81 | 162 | 22 |
| 851-080-10923008 | 80 | 345 | 236 | 111 | 222 | 33 |
| 851-100-10923008 | 100 | 417 | 255 | 146 | 292 | 53 |
| 851-150-10923008 | 150 | 417 | 255 | 146 | 292 | 59 |