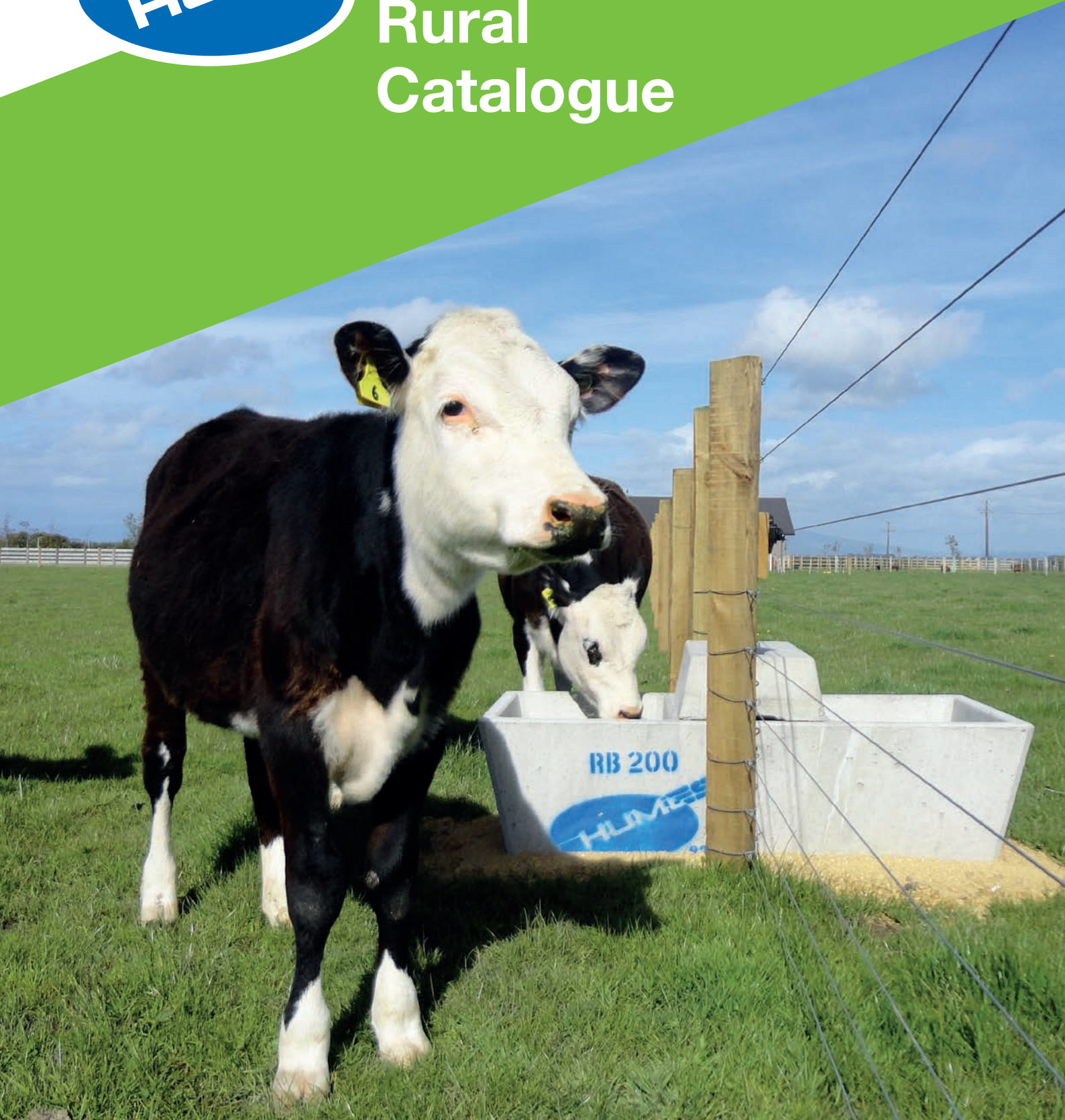




Rural Catalogue



Quality economical products for all rural applications.

We accept the following cards:



Humes manufacture and supply high quality durable rural products for quick and economical on-farm installation. We have a comprehensive range of items suitable for water reticulation, stock control, land drainage, effluent control, and other farm requirements including well liners and effluent system components. So whatever your farm product needs are drop in and see us or give us a call on 0800 502 112.

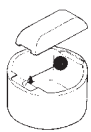
Index

Water Troughs	Page 2	Wastewater Treatment Systems	Page 8
Trough Valves & Fittings	Page 3	Concrete Water Tanks	Page 9
Polyethylene Pipe	Page 4	Culvert Pipe	Page 9
Feed Troughs	Page 5	Concrete Pipe	Page 10
Stock Underpasses	Page 5	FarmBoss™	Page 10
Concrete Bridges	Page 6	Land Drainage	Page 11
Stone Traps	Page 7	Stock Water Design & Farmtrac	Page 12
Effluent Pipe	Page 7	Cattlestops	Page 12
Primary Septic Tanks	Page 8		

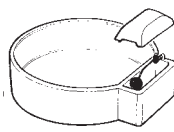
Concrete Water Troughs

Humes reinforced steel fibre concrete troughs are the leading farm troughs in New Zealand. Our range of troughs are suitable for small lifestyle blocks through to large farms running high numbers of sheep, beef or dairy stock.

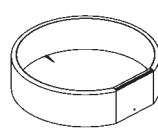
Features of the Humes troughs are that the top edge is curved to prevent injury to stock. To give easy access for maintenance the ballcock valve is mounted above the water and the CB ranges fittings are protected to prevent stock damaging them, lamb steps are supplied standard on rectangular troughs (RB300 & RB400), and lastly the very nature of the Humes trough design makes it impossible to get a back siphoning situation.



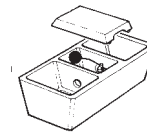
CB 100 Lifestyle



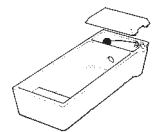
CB 500 - 2500 Cattle



CT 500 - 1500 Cattle



RB 200 Double-ended trough Sheep



RB 300/400 trough Sheep

Concrete Water Trough range

	CB 100	CB 150	CB 500	CB 750*	CB 750	CB 1000	CB 1500	CB 2500	CT 500	CT 750	CT 1000	CT 1500	RB 200	RB 300	RB 400	Pig Feed	Goat Water
Capacity (litres)	100 (22gal)	150 (33gal)	500 (110gal)	750 (165gal)	750 (165gal)	1000 (220gal)	1500 (330gal)	2500 (550gal)	500 (110gal)	750 (165gal)	1000 (220gal)	1500 (330gal)	200 (44gal)	300 (66gal)	400 (90gal)	83 (18gal)	167 (37gal)
Length (mm)													1300	1900	2740	1000	2000
Width (mm)	800	900	1694	2024	2024	1857	2235	2749	1394	1724	1554	1935	710	650	650	400	400
Diameter (mm)	1300	1000	1484	1794	1794	1634	2000	2500	1484	1794	1634	2000					
Depth (mm)	380	400	380	380	380	600	600	600	380	380	600	600	380	380	380	230	230
Approx Weight* (kg)	240	300	580	680	680	1000	1230	1600	475	575	800	1100	280	390	530	70	150
Fitting Size (mm) (threaded inlet)	20	20	20	25	20	25	25	25	20	20	25	25	20	20	20		

*Trough has an extra 25mm bottom entry fitting. Available in Otago and Southland regions only.

Notes

- Ballcocks are sold separately
- Water troughs, pipes, fittings and valves are all sold separately
- Humes troughs feature Reid Swift Lifters for a safe way to lift and move troughs
- CT diameter is the circular size
- CT troughs not manufactured in the South Island but can be ordered on request

Water Consumption of Livestock

Stock type	Litres/Head/Day	Peak Flow Litres/Head/Hour
Sheep		
Ewes	4	0.40
Lambs	2.5	0.25
Cattle		
Milking Cows	70	14.0
Beef Cattle	45	7.5
Calves	25	4.2
Horses		
Working	54	5.4
Grazing	36	3.6
Pigs		
Brood Sows	25	2.5
Mature Pigs	10	1.0
Deer	3/6	0.3/0.6
Goats	4	0.04

Trough Valves (ballcock) and Fittings

The trough valve is a vital piece of equipment in the successful operation of a trough. There are several different types on the market, so it is important to choose the valve that will best suit your stock water system.

You need to take into account:

1. Is the trough top, side or bottom entry?
2. What is the water pressure at the trough and what flow rate do you need?
Trough valves can range in pressure from 0.2 – 12bar (3psi – 174psi)
Flow rate = 29 PSI, 188 litres per minute depending on the inlet pressure.
3. What is the fitting size (threaded inlet) in the trough?
20mm fitting for 100 – 750 litre troughs
25mm fitting for 1000 – 2500 litre troughs
4. What sized ball is recommended for the valve selected?

Inlet/Outlet for Humes Standard Troughs

CB Troughs



Outlet for all CIRCULAR (CB) troughs
Male / Female Elbow required.

RB Troughs



Outlet for all RECTANGULAR (RB) troughs. Valve fits directly to wall of trough.

CT Troughs



Inlet for all CT Troughs
Please Note: No protection for valve and float.



Inlet for all CIRCULAR (CB) and RECTANGULAR (RB) troughs. All fittings and pipes below ground so no damage is incurred by stock walking on fittings and pipes.

Trough Fittings – valves, float, bungs and elbows

Description

- Hansen Super Flo Trough Valve 20mm & 25mm – Long Arm
- Hansen Max Flo Trough Valve – 25mm (bottom or side mounted)
- Hansen Super Flo Trough Valve 20mm & 25mm – Short Arm
- TV25 Xtraflo Trough Valve (bottom or side mounted)
- Apex Brass Trough Valve – 20mm
- Apex Brass Trough Valve – 25mm
- 150mm Trough Float
- Trough Bungs
- 20mm plastic Male/Female Elbows
- 25mm plastic Male/Female Elbows
- Poly nipple – 20mm x 100mm
- Poly nipple – 25mm x 100mm

Notes

- RB300 and RB400 troughs require valves with short arms
- Valves with long arms will fit all other troughs
- RB200, RB300 & RB400 do not require Male/Female elbows
- All CB troughs require Male/Female elbows
- A free bung is supplied with every trough
- Trough weights are not guaranteed and may vary from region to region

Medium Density Polyethylene Pipe – MDPE & HPPE

MDPE and HPPE pipes are new generation PE metric pipes, manufactured to international standards. Popular materials for rural water reticulation, both MDPE and HPPE are light weight, strong and durable.

These pipes typically have a larger bore size than old imperial dimension pipes, making them hydraulically efficient, e.g. Greenline on average has a 30% better flow rate than LDPE. Both MDPE and HPPE pipes are suitable for use with in-line bloat treatment dispensing systems and are available in a wide range of pressure ratings and coil lengths.



MDPE and HPPE range

	Pressure Rating*	Pipe Size OD (outside diameter)									Coil Size (metres)			
		20mm	25mm	32mm	40mm	50mm	63mm	75mm	90mm	110mm	25	50	100	200
Greenline	6.3 - 9	✓	✓	✓	✓	✓	✓					✓	✓	✓
Redline	9 - 12.5	✓	✓	✓	✓	✓	✓					✓	✓	✓
Rural Black	12.5			✓	✓	✓	✓	✓	✓	✓		✓	✓	✓
Blackline PN16	16		✓	✓	✓	✓	✓	✓	✓	✓	✓	✓	✓	
Blackline HPPN20	20						✓		✓	✓		✓	✓	
Blackline HPPN25	25						✓		✓	✓		✓	✓	

Notes

* Maximum operating pressure at 20°C

Compression Fittings

Humes stock the extensive Plasson range of metric compression fittings. These external fittings are rated to 16 Bar and offer exceptional joint security for MDPE and HPPE pipe. Plasson fittings feature a quick and easy, push fit joint system up to 63mm diameter, with no disassembly of the fitting required.

The Plasson ranges versatility is enhanced with a variety of threaded fittings, valves, socket reducers and universal adaptors for connecting to other pipe systems. Plasson fittings are also compatible with 20 and 25mm LDPE pipe, enabling easy connection of metric pipes to LDPE pipe systems in these diameters.

Low Density Polyethylene Pipe – LDPE

Alkathene™ is made from new generation low density polyethylene material. It provides a robust, flexible and reliable choice for on farm day to day water reticulation needs.

Alkathene™ range

Pressure Rating*	Pipe Size ID (internal diameter)						Coil Size (metres)			
	12mm	19mm	25mm	31mm	38mm	50mm	25	50	100	200
12.5	✓						✓	✓	✓	✓
11		✓					✓	✓	✓	✓
8.5			✓				✓	✓	✓	✓
7				✓			✓	✓	✓	✓
6					✓		✓	✓	✓	✓
5						✓	✓	✓	✓	✓

Notes

* Maximum operating pressure at 20°C



LDPE Fittings

Humes stock the extensive range of Hansen LDPE pipe fittings. Contact your local Humes Sales Centre for more information.

Concrete Cattle Feed Troughs

Humes steel fibre reinforced concrete feed trough system of continuous channels is easy to install, portable, durable and safe for the stock and the farmer. Channel middles and ends are sold separately allowing the farmer to add middle channels so the trough can meet individual size requirements.

The simple yet practical design means the stock can feed from both sides if required and the high walls discourages stock from climbing into the troughs. The curved contours means no feed collects in the corners. The inclusion of the Swiftlift™ lifting system for each piece means the farmer can move the feed troughs safely and easily around the farm and are less likely to be damaged when installed.

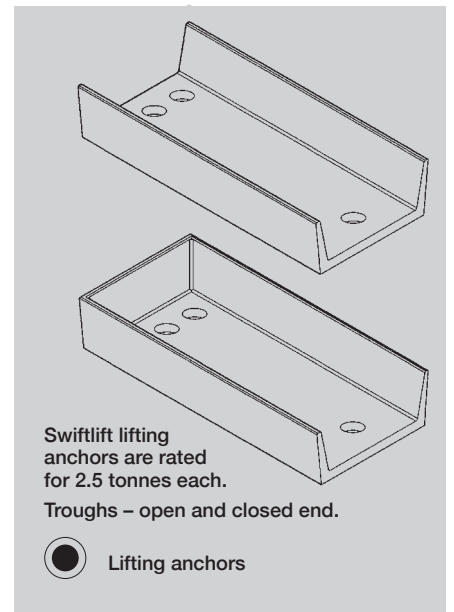


Feed Trough range

	Feed Channel Middle	Feed Channel End
Length (mm)	2600	2665
Width (mm)	1130	1130
Depth (mm)	510	510
Weight* (kg)	1030	1110

Notes

- Channels and ends are sold separately



Concrete Stock Underpass

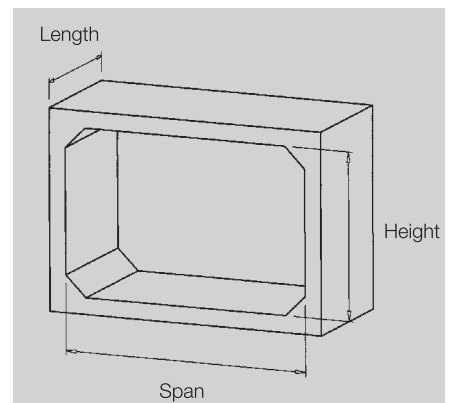
Humes concrete underpasses are manufactured from quality materials providing a durable and strong product suitable for on farm, rural and public roads. All underpasses are manufactured and designed to comply with Transit NZ requirements and producer statements are available.

The size of the underpass required is determined by factors such as herd size, distance from milking shed, head room required and the height of the water table. Custom sizes (with spans) up to 6 metres are available if required. Box culverts also provide a useful stream bridging solution that can be driven on without any cover.



Humes Underpass range

Span (metres)	Height (metres)	Unit Length (metres)	Weight (tonnes)*
2.5	2.0	1.55	7.9
2.5	2.5	1.55	8.7
3.0	2.0	1.55	8.7
3.0	2.5	1.55	9.4
3.0	3.0	1.55	10.2
4.0	2.0	1.55	11.0
4.0	2.5	1.55	11.8
4.0	3.0	1.55	12.6



Notes

- * Weight is based on the 0-600 cover, HN-HO-72 design and a nominal concrete density of 2440 kg/m³ –100 year life on concrete if installed correctly.

Double T Full Concrete Bridges

At Humes, we understand that getting your bridging requirements sorted can be time consuming and frustrating. Dealing with engineers, your local council and contractors is seldom a simple exercise. That's why you should talk to Humes first. The great news is we can help you with all of it. We'll help facilitate getting the team together to cover the initial site consultation, likely engineering requirements, potential council consents, design, fabrication and, finally, installation by contractors.

The end result is a bridge that's purpose built for your situation and backed by more than 90 years of innovation, manufacturing expertise and quality.



There's a reason Humes Double T Full Concrete bridges are the first choice for farming and forestry applications:

- **quick installation** – our full concrete beam access bridges are precast off site, which means they can be installed quickly and with minimal disruption to your business operations.
- **durability** – use of pre-stressed 800mm deep concrete beams means Humes Double T Full Concrete bridges provide greater durability with less maintenance costs (ideal in areas where coastal or geothermal corrosion is problematic).
- **strength** – they offer a full 0.85 HN loading suitable for milk tankers, tractors and farm machinery.
- **versatility** – the standard Double T lengths range from 8 to 18 metres and feature built-in continuous kerbing on either side of carriageway to contain effluent and run off, as well as galvanised steel balustrades and pipe handrails.

Let's talk about your bridging needs. Whatever the application, whether it's light pedestrian or class 1 farm, forestry, golf course, park or subdivision, we have a range of Double T rural bridges and options - including concrete deck over steel, culverts and pipes.

Notes

- North Island manufacture only



Concrete Stone Trap

Humes concrete reinforced stone traps are a popular easy to clean farm effluent settling device. Effluent enters the stone trap from the inlet on the back wall and swirls in a clockwise rotation to form a vortex. This innovative design allows more time for stones and gravel to settle out ultimately reducing wear and tear on your effluent pumps.

The larger stone trap is designed with a 2.4 metre entry to enable tractor buckets to clean with ease. For the large stone trap there are two options available: the outlet on the left hand or right hand side. The incoming effluent wash flows from the dairy shed and enters the stone trap on a 45 degree angle and exit via the 400mm wide weir. Both the inlet and the outlet are at the same height. The inlet and outlet are setup to slow down the velocity of the incoming effluent from the dairy shed and increases the settling period.

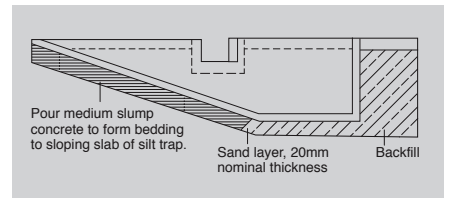
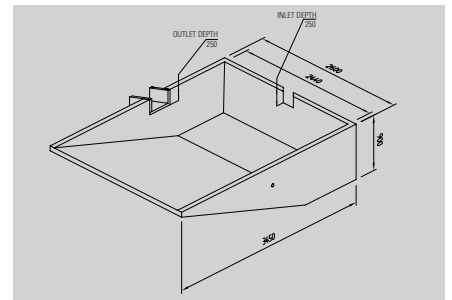
Correct installation is important. Ensure there is adequate and uniform bedding (with no cavities) under the stone trap. Ground conditions may vary, so check the bedding material is appropriate.

To ensure the stone trap works effectively, regular maintenance must be carried out. During the milking season we recommend every week:

1. Excavate out silt, stones and gravel with a tractor bucket
2. Ensure no stones or gravel enter the outlet or the sump, reducing the wear and tear on the effluent pump

Stone Trap range

	Small	Large (Right Hand)	Large (Left Hand)
Length (mm)	2800	3450	3450
Width (OD) (mm)*	2250	2600	2600
Width (ID) (mm)*	2090	2440	2440
Depth (mm)	900	900	900
Weight (kg)*	2500	3400	3400



Notes

- Inlet & outlet depths are both 250mm on the large stone trap.
- All dimensions are nominal.
- Feature Reid Swift Lifter for a safe way to move and install stone traps.
- Precast manufacture is to NZS 3109:1997 with surface finishes to NZS 3114:1987.
- The benefits of the vortex will be effected if the inlet and outlet locations are changed outside the standard arrangement.
- The small stone trap has holes for the inlet and outlet.
- At the time of installation, fill any cracks above and below the inlet and outlet pipes with Humebond.
- The small stone trap is only available in the North Island.

MDPE Effluent Pipe

MDPE effluent pipe is made from tough medium density polyethylene and has been designed specifically for the disposal of dairy shed effluent. This pipe is typically installed above ground and joined together using camlock type fittings. Plasson fittings are also suitable for permanent pipe connections. MDPE effluent pipe is an efficient and economical solution for most effluent disposal needs. Imperial dimension 45mm Iplex effluent pipe is also available for pod effluent systems.

MDPE Effluent range

Pressure Rating*	Pipe Size OD (outside diameter)						Coil Size (metres)		
	51mm	63mm	75mm	90mm	90mm	110mm	50	100	200
5	✓							✓	✓
6.3		✓					✓	✓	
8			✓				✓	✓	
6.3				✓			✓	✓	
8					✓		✓	✓	
8						✓	✓	✓	

Notes

* Maximum operating pressure at 20°C



Primary Septic Tanks

Humes offers a range of durable economical and easy to maintain precast concrete septic tanks designed to provide onsite primary treatment for residential and holiday home wastewater.

Ecotank™

The Ecotank™ is a high performing primary septic tank which has a multi-chamber configuration. It provides anaerobic biological treatment in the second chamber and has a tube effluent filter on the outlet. Gravity or pumped outlet options are available.

Oasis Clearwater Z54 Deluxe

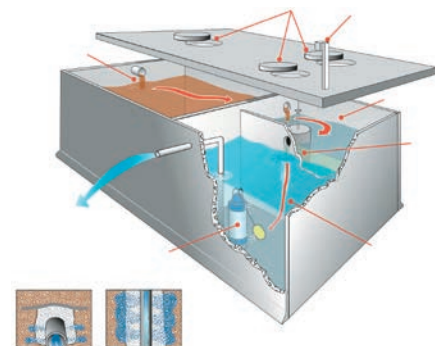
The Oasis Clearwater Z54 Deluxe is a range of multi-chamber septic tanks based on the tried and tested principle of separating solids from liquids. The Oasis Clearwater Z54 Deluxe point of difference comes in the three-chamber configuration of its tank, allowing for a second stage of settling prior to entering the dosing chamber. The versatility of this tank is again evident with three options available for dosing the disposal field from this final chamber:

1. Submersible pump operated via a float switch
2. Flout system
3. Gravity

Concrete Septic Tank range

Capacity (Litres)	2700	3300	4000	4500	Ecotank™ (including lid) 5000	Oasis Clearwater Z54 Deluxe
Length (mm)	2340	2340	2340	2370	–	3000
Width (mm)	1230	1230	1230	1900	2600	2000
Height (mm)	1670	1930	2760	1805	1380	1550
Weight (kg)	2575	2700	3525	4900	3680	6500

- Notes**
- Please refer to the septic tank brochure for specific details on all tanks available
 - See back page for further notes



Wastewater Treatment Systems

Oasis Clearwater Series (Aerated)

The Oasis Clearwater Series of Aerated Wastewater Treatment Systems (AWTS) utilises settling, filtration and aerobic digestion to process the effluent. Developed in New Zealand for New Zealand conditions, the Oasis Clearwater Series quickly and efficiently turns all of your household wastewater into high quality water suitable for sub-surface irrigation.

The Oasis Clearwater Series is available in three standard configurations:

- The Oasis Clearwater Series 2000 which is our most popular model. This system will cater for a family home of up to 5 bedrooms.
- The Oasis Clearwater Series 3000 which will suit larger homes, and in some instances small commercial installations.
- The Oasis Clearwater Series Retrofit is designed to be fitted onto an existing septic tank with a minimum of 3500 litres of capacity, and effectively turn it into a treatment system.



Concrete Water Tanks

Low maintenance and long life concrete tanks have proven durability and strength due to the structural integrity of their design and quality finish. Concrete is a very strong material when properly designed and manufactured and provides a rigid structure in which to store liquids. Strength and good design are essential because 20,000 litres of water weighs 20 tonnes.

Concrete tanks are dependable and will not burn, rot or rust, their high strength and robust construction means they will withstand the stresses caused by the weight of the water and high winds often experienced in many parts of New Zealand.

Concrete is a natural insulator. It is made from naturally occurring materials and has low thermal conductivity; it is non-toxic and provides a cool dark environment, which reduces the potential growth of algae.

Oasis Clearwater H2O series storage tanks are versatile and can be installed above ground, partially buried or fully buried and come with a 15 year warranty.



Concrete Water Tank Range

	Oasis 3,000 Tank	Oasis 7,000 Tank	Oasis 10, 000 Tank	Oasis 20,000 Tank
Capacity (litres)	3000 (660 gal)	7000 (1,540 gal)	10,000 (2,200 gal)	20,000 (4,400 gal)
Outside Diameter (mm)	1700		2500	3000
Height (mm)	1900	1500	2500	2900
Length (mm)		3000		
Width (mm)		1950		
Weight including tank + LD lid (kg)	3000	6000	5500	10000
Weight including tank + HD lid (kg)	NA	NA	6500	11000
Lid Thickness (mm)	75	75	80 or 150	100 or 150

Notes

*3000L – 10,000L Oasis Clearwater H2O Series of tanks available nationwide

*20,000L Oasis Clearwater H2O Series tank available in the South Island only

*The 10,000L and 20,000L tanks can be supplied with a heavy duty lid, with pricing available upon application

Culvert Pipe

Humes have the most extensive range of culvert products to meet all your farm and rural application requirements. From concrete pipes through to plastic and corrugated pipes. The following chart will help you determine the most appropriate culvert pipe for your application.

Culvert Pipe comparisons

Features	Products	
	Concrete	Plastic (FarmBoss™)
Can pipes be joined?	Yes	Yes
UV Resistance	Yes	Yes
Flexibility	No	Yes
Abrasion Resistance	Low	High
Joining System	Rubber Ring	Socket Joint
Standard Length (metre)	2, 2.44 & 2.5m	6m
Customised Length (metre)	No	up to 18m

Concrete Farm Pipe

Humes high performance steel reinforced range of concrete farm pipe provides a proven solution for all farm culvert needs.

The main advantages of using concrete is that it has a proven record of meeting performance demands in aggressive environments therefore is recommend for all on farm drainage applications. All standard sizes are available ex stock. Talk to your local Humes Sales Centre about any requirements for larger sized pipes.



Concrete Farm Pipe range

Diameter (mm)	225*	300	375	450	525	600	900	1200	1500	1800
Length (mm)	2000	2500	2500	2500	2500	2500	2440	2440	2440	2440
Weight (kg)**	160	255	315	435	570	730	1100	1800	2400	3400

Notes

* 225mm is not manufactured in the South Island but can be ordered on request.

** These is the approximate weight for spun and RCP pipes. VT pipes are heavier. Refer to the Humes safe handling guide for more information.

Plastic – FarmBoss™

FarmBoss™ is a strong and lightweight plastic culvert pipe. FarmBoss™ pipe can easily be carried by two men, which means significant savings – in time, labour, machinery and therefore costs. Transportation is also easy. For example FarmBoss™ can be transported on utility vehicles using roof racks, small trailers and farm bikes were appropriate.

FarmBoss™ is manufactured from polypropylene, an extremely tough material with excellent and proven resistance to impact, chemical attack and abrasion. FarmBoss™ is UV-resistant so unlike other plastics it will not become brittle. For larger drainage projects FarmBoss™ is available in lengths up to 18 metres.

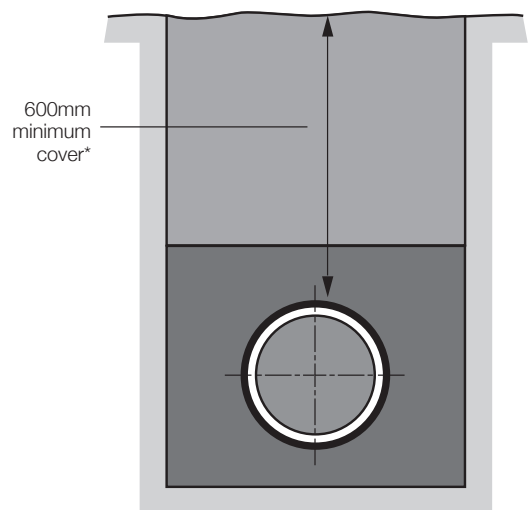


FarmBoss™ range

Outside Diameter (OD)	259mm	353mm	442mm	531mm
Internal Diameter (ID)	225mm	300mm	375mm	450mm
Standard Length	6m	6m	6m	6m
Weight	18kg	34kg	52kg	71kg

Notes

- Socketed pipe the maximum length is 6m
- Unsocketed the maximum length is 18m (which is the longest length you can transport)
- See back page for further notes



*The cover should be well compacted and graded hardfill

Land Drainage

Nexus™ Twin-wall Smoothbore PE Drainage Pipe

Nexus™ is a double wall polyethylene pipe, combining a smooth inner wall with a corrugated outer wall. This smooth bore allows greater volumes of water to flow through the pipe at a faster rate. Flow rates in Nexus™ pipe are up to 69% more efficient than corrugated bore Novaflo™ drainage pipe. Nexus™ is the ideal choice for land drainage, as faster drainage reduces pasture damage and promotes pasture growth (kgDM/h). Add to this the benefits of higher flow velocity reducing silting issues and it's easy to see why Nexus™ is the first choice in land drainage.

See Page 11 for information on the Farmtrac™ land drainage mapping system.



Nexus product range

Pipe size OD (outside diameter)	Coil Size (metres)									Identification
	5	15	29	30	45	50	100	185	450	
110mm Nexusflo (Punched)		✓		✓		✓	✓		✓	Black with Blue Stripe
160mm Nexusflo (Punched)					✓			✓		Black with Blue Stripe
200mm Nexusflo (Punched)	✓		✓							Black with Blue Stripe
110mm Nexuscoil (Unpunched)		✓		✓		✓	✓		✓	Black with Yellow Stripe
160mm Nexuscoil (Unpunched)					✓			✓		Black with Yellow Stripe
200mm Nexuscoil (Unpunched)			✓							Black with Yellow Stripe



Novaflo™ Corrugated Bore PE Drainage Pipe

Novaflo™ is a single wall corrugated high density polyethylene land drainage pipe. It is lightweight, easy to install and is a cost effective solution for land drainage.

See Page 11 for information on the Farmtrac™ land drainage mapping system.



Novaflo™ product range

Pipe size OD (outside diameter)	Coil Size (metres)								Identification
	15	30	45	50	100	150	185	450	
65mm Novaflo™ (Punched)	✓	✓				✓			Black
110mm Novaflo™ (Punched)	✓	✓		✓	✓			✓	Black
160mm Novaflo™ (Punched)	✓		✓				✓		Black
65mm Novacoil (Unpunched)	✓	✓				✓			Black with White Stripe
110mm Novacoil (Unpunched)	✓	✓			✓				Black with White Stripe
160mm Novacoil (Unpunched)	✓		✓						Black with White Stripe



Design Services available through Humes

Stock Water Design

Want to make sure you have enough water for stock, especially through summer? If you are upgrading your existing system or installing a new stock water system contact your local Humes Sales Centre on 0800 502 112. They can help to make sure you get the right advice and products (troughs, water pipes & fittings) to suit your property.

Farmtrac™ Mapping System for Land Drainage

Have you got paddocks that remain boggy throughout winter and take a long time to dry out? Using land drainage pipes and Farmtrac™ (to map where they are) is a solution to keep pasture usable right throughout the year.

1. What is Farmtrac™?

Farmtrac™ is a GPS mapping system which records exactly where land drainage pipes are located on your property.

2. What is the benefit of using Farmtrac™?

- You can easily locate where drainage lines are to carry out maintenance
- You end up with an accurate map of all paddocks on the farm that have land drainage
- If you extend your land drainage you can get the mapping updated

3. What is the cost of this service?

For orders 2,000 metres or more of Novaflo™ or Nexus™ drainage pipe, Farmtrac™ is free. (E.g. 20 x coils of 400.110.100 Novaflo™). For orders less than 2,000 metres prices start from \$240.00 + GST per hour. Contact your local Humes Sales Centre for more information.

4. What sized land drainage pipes can be mapped?

Nexus™ size range (outside diameter): 110mm, 160mm, 200mm

Novaflo™ size range (outside diameter): 65mm, 110mm, 160mm

5. Can any other types of pipes be mapped?

Yes, any land drainage pipes can be mapped, provided the trench lines are still visible. However if you want stock water lines mapped contact Farmworks on 06 323 9059 for a quote.

6. If there is a land drainage system in place, can I pay to have this mapped retrospectively?

Yes, provided the trench lines are still visible. Contact Farmworks on 06 323 9059 for a quote.

Benefits of good land drainage include an extended pasture growth season, increased productive pasture area, improved animal health, increased land value and reduced soil compaction and surface water run-off issues. For further information on Farmtrac™ (to record where land drainage pipes are) contact your local Humes Sales Centre on 0800 502 112.



Key
Red lines are the drainage pipes

Cattlestops

Cattlestops are suitable for dairy farms, dry stock farms, lifestyle blocks, forestry roads, parks and quarries.

The Precast Concrete Cattlestop keeps stock contained and will not rust, buckle or break. It is designed to carry traffic loads up to 20 tonnes, have minimal wear on tyres and traffic noise. Two units sit side by side to provide a standard 3.6 metre width. Available in the North Island only.

Cattlestop range

	Length (mm)	Width (mm)	Depth (mm)	Weight* (kg)
Precast Concrete Standard	2330	1800	310	2500



For further information or advice freephone 0800 502 112 or visit www.humes.co.nz

Notes

- All product dimensions are external unless stated
- Weights are not guaranteed and may vary from region to region

Buyers and users of the products described in this brochure must make their own assessment of the suitability and appropriateness of the products for their particular use and the conditions in which they will be used. All queries regarding product suitability, purpose or installation should be directed to the nearest Humes Sales Centre for service and assistance. Fletcher Concrete and Infrastructure Limited 2014. Printed 11/17.

