



AVK BUTTERFLY VALVE PN10

954/10



Double eccentric resilient seated butterfly valve, PN10
Designed according to EN 593 and EN 12266
DN3000 to DN4000 large diameter



Use:

- For water and neutral liquid applications
 - Valve designed for use up to 60°C
- Note: Always observe pipe material recommended operating temperatures

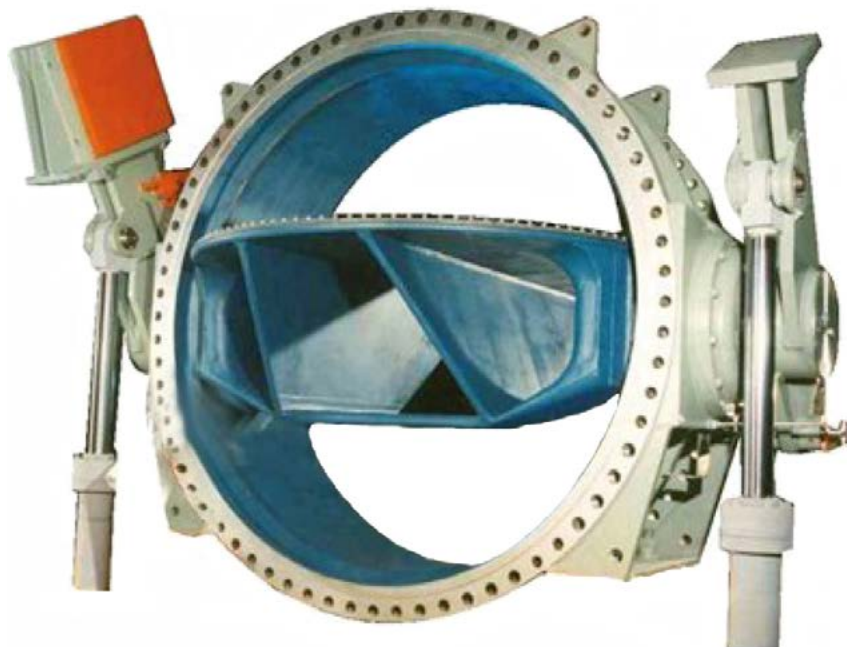


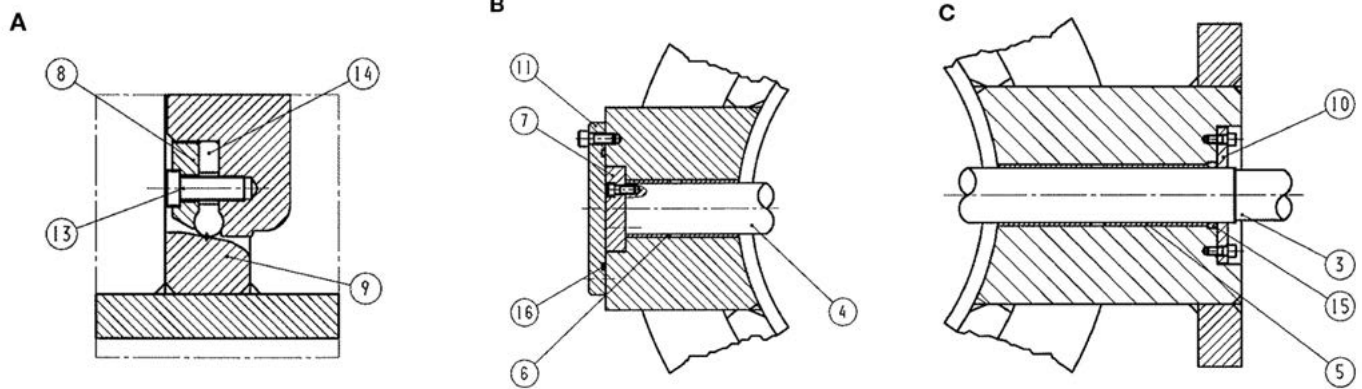
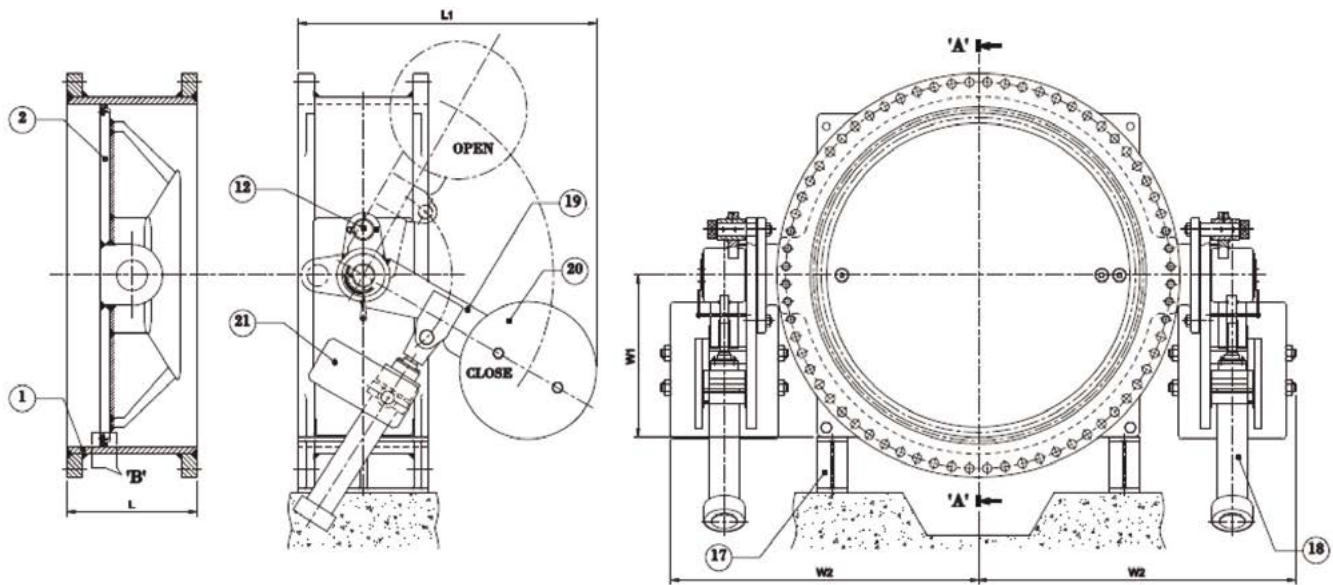
Tests:

- Seat: 11 bar (1.1 x AOP)
- Body: 15 bar (1.5 x AOP)
- Function test: 1 x open/close (under no flow or pressure)

Optional extras:

- Locking plate for externally locking of disc in closed position for maintenance
- 300 microns two pack epoxy coating
- AISI 316/ ASTM A351 Gr. CF8M trim
- PN6 pressure and flanging





Component list

1. Body	Carbon Steel ASTM A36	11. End cover plate	Carbon Steel ASTM A36
2. Disc	Carbon Steel ASTM A36	12. Disc locking plate	
3. Drive shaft	ASTM A479 Type 410	13. Allen screw	Stainless Steel ASTM A193 Gr. B8
4. Stub shaft	ASTM A479 Type 410	14. Valve seal	EPDM
5. Drive bearing bush		15. Gland plate o-ring	EPDM
6. Stub bearing bush		16. O-ring for seat ring	EPDM
7. Thrust pad	Leaded bronze BS 1400 LB 2	17. End cover plate o-ring	EPDM
8. Clamping ring/ segments	Stainless Steel ASTM A351 type CF 8 / CF 8M	18. Lever	
9. Seat ring	Stainless Steel ASTM A240 type 304	20. Counter weight	
10. Gland plate	Carbon Steel ASTM A36	21. Mounting bracket	

Components can be substituted with equivalent or higher class materials.

Reference nos. and dimensions

AVK ref. nos.	DN mm	L mm	H1 mm	W1 mm	W2 mm	Theoretical weight kilos
954-3000-10-99410219003	3000	810	2180	1326	2516	35000
954-3200-10-99410219003	3200	870	2250	1410	2738	35800
954-3400-10-99410219003	3400	930	2330	1494	2843	36700
954-3600-10-99410219003	3600	990	2410	1588	2960	37700
954-3800-10-99410219003	3800	1050	2475	1682	3195	38800
954-4000-10-99410219003	4000	1110	2530	1776	3312	40000