



AVK SINGLE, DOUBLE, MULTI PART REPAIR CLAMPS PN16

748

Repair clamps, PN16 to DN600 (720mm OD)
Range DN40 to DN1200
For use on Cast Iron, Ductile Iron, Steel, PVC-U, PVC-M, AC and copper pipes
Range extends beyond DN600
For sizes and configurations not listed, please contact AVK Wang

Use:

- Pipelines used in water reticulation, sewage, wastewater and irrigation to a temperature range of -10°C to 60°C
- 16 bar / 160 metres allowable operating pressure (AOP) to DN600
- Suitable for applications with pipe stiffness above SN 10,000
- This product does not provide axial restraint and should not be used to join pipes

Standards and Approvals:

- Manufacturing facility certified to ISO 9001 quality assurance standard
- Fully conforming to AS/NZS 4181-1999 Stainless Steel clamps for waterworks purposes
- Standards Licence Mark SMK 1785 to AS/NZS 4181-1999



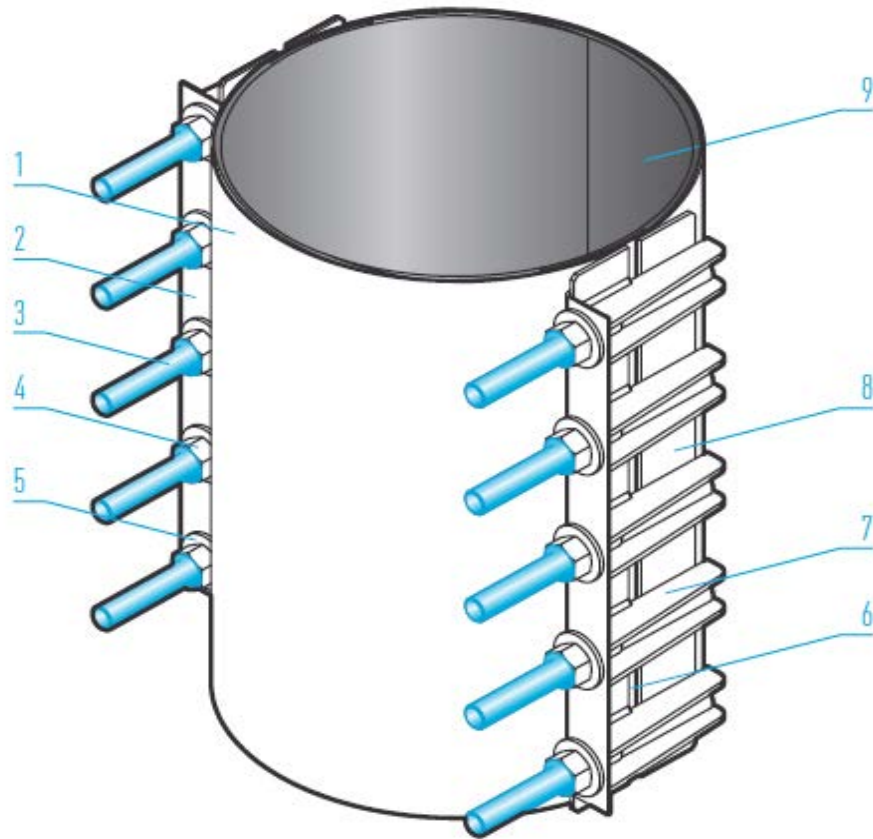
**SINGLE PART
REPAIR CLAMP**



**DOUBLE PART
REPAIR CLAMP**



**MULTI PART
REPAIR CLAMP**



Component list

1. Skin	316 Stainless Steel / ASTM A240M	6. Bridge plate	316 Stainless Steel bonded to gasket / ASTM A240M
2. Locking plate	316 Stainless Steel / ASTM A240M	7. Lugs	316 Stainless Steel / ASTM A240M
3. Studs	316 Stainless Steel - anti-galling compound coated / ASTM A276	8. Flat bars	316 Stainless Steel / ASTM A276 or A240M
4. Nuts	316 Stainless Steel - anti-galling compound coated / AS 1112.1	9. Sealing gasket	Full-circle nitrile (NBR) compound AS 1646 and AS/NZS 4020
5. Washers	316 Stainless Steel / ISO 7089		

Components can be substituted with equivalent or higher class materials.

Reference nos. and dimensions

AVK ref. nos.	DN mm	Material	Clamp length mm	Sealing range mm	No. of parts
748-901-004701	40	316 SS	150	47-52	1
748-901-004703	40	316 SS	300	47-52	1
748-901-004704	40	316 SS	400	47-52	1
748-901-005901	50	316 SS	150	59-64	1
748-901-005903	50	316 SS	300	59-64	1
748-901-005904	50	316 SS	400	59-64	1
748-901-006301	50	316 SS	150	63-68	1
748-901-006303	50	316 SS	300	63-68	1
748-901-006304	50	316 SS	400	63-68	1
748-901-006901	50	316 SS	150	69-74	1
748-901-006902	50	316 SS	300	69-74	1
748-901-006903	50	316 SS	400	69-74	1
748-901-007501	65	316 SS	150	75-80	1
748-901-007502	65	316 SS	200	75-80	1
748-901-007503	65	316 SS	300	75-80	1
748-901-007504	65	316 SS	400	75-80	1
748-901-007506	65	316 SS	600	75-80	1
748-901-007601	80	316 SS	150	76-83	1
748-901-008501	80	316 SS	150	85-92	1

AVK ref. nos.	DN	Material	Clamp length	Sealing range	No. of parts
	mm		mm	mm	
748-901-008502	80	316 SS	200	85-92	1
748-901-008503	80	316 SS	300	85-92	1
748-901-008504	80	316 SS	400	85-92	1
748-901-008506	80	316 SS	600	85-92	1
748-901-009502	80	316 SS	200	95-105	1
748-901-009503	80	316 SS	300	95-105	1
748-901-009504	80	316 SS	400	95-105	1
748-901-009506	80	316 SS	600	95-105	1
748-901-010002	100	316 SS	200	100-110	1
748-901-010003	100	316 SS	300	100-110	1
748-901-011002	100	316 SS	200	110-120	1
748-901-011003	100	316 SS	300	110-120	1
748-901-011004	100	316 SS	400	110-120	1
748-901-011005	100	316 SS	600	110-120	1
748-901-011402	100	316 SS	200	114-124	1
748-901-011403	100	316 SS	300	114-124	1
748-901-011404	100	316 SS	400	114-124	1
748-901-011406	100	316 SS	600	114-124	1
748-901-012002	100	316 SS	200	120-130	1
748-901-012003	100	316 SS	300	120-130	1
748-901-012004	100	316 SS	400	120-130	1
748-901-012006	100	316 SS	600	120-130	1
748-901-013002	100	316 SS	200	130-140	1
748-901-013003	100	316 SS	300	130-140	1
748-901-014002	100	316 SS	200	140-150	1
748-901-014003	100	316 SS	300	140-150	1
748-901-014004	100	316 SS	400	140-150	1
748-901-014006	100	316 SS	600	140-150	1
748-901-015002	150	316 SS	200	150-160	1
748-901-015003	150	316 SS	300	150-160	1
748-901-015004	150	316 SS	400	150-160	1
748-901-015006	150	316 SS	600	150-160	1
748-901-016002	150	316 SS	200	160-170	1
748-901-016003	150	316 SS	300	160-170	1
748-901-016004	150	316 SS	400	160-170	1
748-901-016006	150	316 SS	600	160-170	1
748-901-017502	150	316 SS	200	175-185	1
748-901-017503	150	316 SS	300	175-185	1
748-901-017504	150	316 SS	400	175-185	1
748-901-017506	150	316 SS	600	175-185	1
748-901-019002	150	316 SS	200	190-200	1
748-901-019003	150	316 SS	300	190-200	1
748-901-019004	150	316 SS	400	190-200	1
748-901-019006	150	316 SS	600	190-200	1
748-901-020002	150	316 SS	200	200-210	1
748-901-020003	150	316 SS	300	200-210	1
748-901-020004	150	316 SS	400	200-210	1
748-901-020006	150	316 SS	600	200-210	1
748-901-021502	200	316 SS	200	215-225	1
748-901-021503	200	316 SS	300	215-225	1
748-901-021504	200	316 SS	400	215-225	1
748-901-021506	200	316 SS	600	215-225	1
748-901-023002	200	316 SS	200	230-240	1
748-901-023003	200	316 SS	300	230-240	1
748-901-023004	200	316 SS	400	230-240	1
748-901-023006	200	316 SS	600	230-240	1
748-901-024003	200	316 SS	300	240-250	1
748-901-024504	200	316 SS	400	245-255	1
748-901-025003	225	316 SS	300	250-260	1
748-901-025004	225	316 SS	400	250-260	1
748-901-025006	225	316 SS	600	250-260	1
748-901-026003	225	316 SS	300	260-270	1
748-901-026004	225	316 SS	400	260-270	1
748-901-026006	225	316 SS	600	260-270	1
748-901-027003	250	316 SS	300	270-280	1
748-901-027004	250	316 SS	400	270-280	1
748-901-027006	250	316 SS	600	270-280	1
748-901-027503	250	316 SS	300	275-285	1

AVK ref. nos.	DN mm	Material	Clamp length mm	Sealing range mm	No. of parts
748-901-027504	250	316 SS	400	275-285	1
748-901-027506	250	316 SS	600	275-285	1
748-901-028503	250	316 SS	300	285-295	1
748-901-028504	250	316 SS	400	285-295	1
748-901-028506	250	316 SS	600	285-290	1
748-901-029003	250	316 SS	300	290-300	1
748-901-030003	300	316 SS	300	300-310	1
748-901-030004	300	316 SS	400	300-310	1
748-901-030006	300	316 SS	600	300-310	1
748-901-031003	300	316 SS	300	310-320	1
748-901-031004	300	316 SS	400	310-320	1
748-901-031006	300	316 SS	600	310-320	1
748-901-032003	300	316 SS	300	320-330	1
748-901-032004	300	316 SS	400	320-330	1
748-901-032006	300	316 SS	600	320-330	1
748-901-033003	300	316 SS	300	330-350	2
748-901-033004	300	316 SS	400	330-350	2
748-901-033006	300	316 SS	600	330-350	2
748-901-033008	300	316 SS	800	330-350	2
748-901-034003	300	316 SS	300	340-360	2
748-901-034004	300	316 SS	400	340-360	2
748-901-034006	300	316 SS	600	340-360	2
748-901-034008	300	316 SS	800	340-360	2
748-902-035004	350	316 SS	400	350-370	2
748-902-035006	350	316 SS	600	350-370	2
748-902-035008	350	316 SS	800	350-370	2
748-902-036004	350	316 SS	400	360-380	2
748-902-036006	350	316 SS	600	360-380	2
748-902-036008	350	316 SS	800	360-380	2
748-902-037004	350	316 SS	400	370-390	2
748-902-037006	350	316 SS	600	370-390	2
748-902-037008	350	316 SS	800	370-390	2
748-902-038004	350	316 SS	400	380-390	2
748-902-038006	350	316 SS	600	380-390	2
748-902-038008	350	316 SS	800	380-390	2
748-902-039004	375	316 SS	400	390-410	2
748-902-039006	375	316 SS	600	390-410	2
748-902-039008	375	316 SS	800	390-410	2
748-901-040004	375	316 SS	400	400-420	2
748-901-040006	375	316 SS	600	400-420	2
748-901-040008	375	316 SS	800	400-420	2
748-901-040010	375	316 SS	1000	400-420	2
748-901-040012	375	316 SS	1200	400-420	2
748-902-041004	375	316 SS	400	410-430	2
748-902-041006	375	316 SS	600	410-430	2
748-902-041008	375	316 SS	800	410-430	2
748-902-041010	375	316 SS	1000	410-430	2
748-902-041012	375	316 SS	1200	410-430	2
748-902-042004	375	316 SS	400	420-440	2
748-902-042006	375	316 SS	600	420-440	2
748-902-042008	375	316 SS	800	420-440	2
748-902-042010	375	316 SS	1000	420-440	2
748-902-042012	375	316 SS	1200	420-440	2
748-902-044004	375	316 SS	400	440-460	2
748-902-044006	375	316 SS	600	440-460	2
748-902-044008	375	316 SS	800	440-460	2
748-902-044010	375	316 SS	1000	440-460	2
748-902-044012	375	316 SS	1200	440-460	2
748-902-045004	400	316 SS	400	450-470	2
748-902-045006	400	316 SS	600	450-470	2
748-902-045008	400	316 SS	800	450-470	2
748-902-045010	400	316 SS	1000	450-470	2
748-902-045012	400	316 SS	1200	450-470	2
748-902-047004	450	316 SS	400	470-490	2
748-902-047006	450	316 SS	600	470-490	2
748-902-047008	450	316 SS	800	470-490	2
748-902-047010	450	316 SS	1000	470-490	2
748-902-047012	450	316 SS	1200	470-490	2

AVK ref. nos.	DN mm	Material	Clamp length mm	Sealing range mm	No. of parts
748-902-048004	450	316 SS	400	480-500	2
748-902-048006	450	316 SS	600	480-500	2
748-902-048008	450	316 SS	800	480-500	2
748-902-048010	450	316 SS	1000	480-500	2
748-902-048012	450	316 SS	1200	480-500	2
748-902-049004	450	316 SS	400	490-510	2
748-902-049006	450	316 SS	600	490-510	2
748-902-049008	450	316 SS	800	490-510	2
748-902-049010	450	316 SS	1000	490-510	2
748-902-049012	450	316 SS	1200	490-510	2
748-903-049004	450	316 SS	400	490-520	3
748-903-049006	450	316 SS	600	490-520	3
748-903-049008	450	316 SS	800	490-520	3
748-903-049010	450	316 SS	1000	490-520	3
748-903-049012	450	316 SS	1200	490-520	3
748-903-052006	450	316 SS	600	520-550	3
748-903-052008	450	316 SS	800	520-550	3
748-903-052012	450	316 SS	1000	520-550	3
748-903-052012	450	316 SS	1200	520-550	3
748-903-053004	500	316 SS	400	530-560	3
748-903-053006	500	316 SS	600	530-560	3
748-903-053008	500	316 SS	800	530-560	3
748-903-053010	500	316 SS	1000	530-560	3
748-903-053012	500	316 SS	1200	530-560	3
748-903-056004	500	316 SS	400	560-590	3
748-903-056006	500	316 SS	600	560-590	3
748-903-056008	500	316 SS	800	560-590	3
748-903-056010	500	316 SS	1000	560-590	3
748-903-056012	500	316 SS	1200	560-590	3
748-903-057004	525	316 SS	400	570-600	3
748-903-057006	525	316 SS	600	570-600	3
748-903-057008	525	316 SS	800	570-600	3
748-903-057010	525	316 SS	1000	570-600	3
748-903-057012	525	316 SS	1200	570-600	3
748-903-060004	600	316 SS	400	600-630	3
748-903-060006	600	316 SS	600	600-630	3
748-903-060008	600	316 SS	800	600-630	3
748-903-060010	600	316 SS	1000	600-630	3
748-903-060012	600	316 SS	1200	600-630	3
748-903-062004	600	316 SS	400	620-650	3
748-903-062006	600	316 SS	600	620-650	3
748-903-062008	600	316 SS	800	620-650	3
748-903-062010	600	316 SS	1000	620-650	3
748-903-062012	600	316 SS	1200	620-650	3
748-903-063004	600	316 SS	400	630-660	3
748-903-063006	600	316 SS	600	630-660	3
748-903-063008	600	316 SS	800	630-660	3
748-903-063010	600	316 SS	1000	630-660	3
748-903-063012	600	316 SS	1200	630-660	3
748-903-065004	600	316 SS	400	650-680	3
748-903-065006	600	316 SS	600	650-680	3
748-903-065008	600	316 SS	800	650-680	3
748-903-065010	600	316 SS	1000	650-680	3
748-903-065012	600	316 SS	1200	650-680	3
748-903-069004	600	316 SS	400	690-720	3
748-903-069006	600	316 SS	600	690-720	3
748-903-069008	600	316 SS	800	690-720	3
748-903-069010	600	316 SS	1000	690-720	3
748-903-069012	600	316 SS	1200	690-720	3