



AVK BUTTERFLY VALVE PN25

75/64



Concentric bonded rubber lined butterfly valve, PN25
Bi-directional, short pattern double flanged, drilled to EN 7005.2 PN25



Use:

- For water and neutral liquid applications
 - Rated for full end of line duty
 - Suitable for buried service
 - Suitable for submerged service
 - 5 m/s normal flow velocity
 - 7.5 m/s intermittent flow velocity
- Note: Always observe pipe material recommended operating temperatures



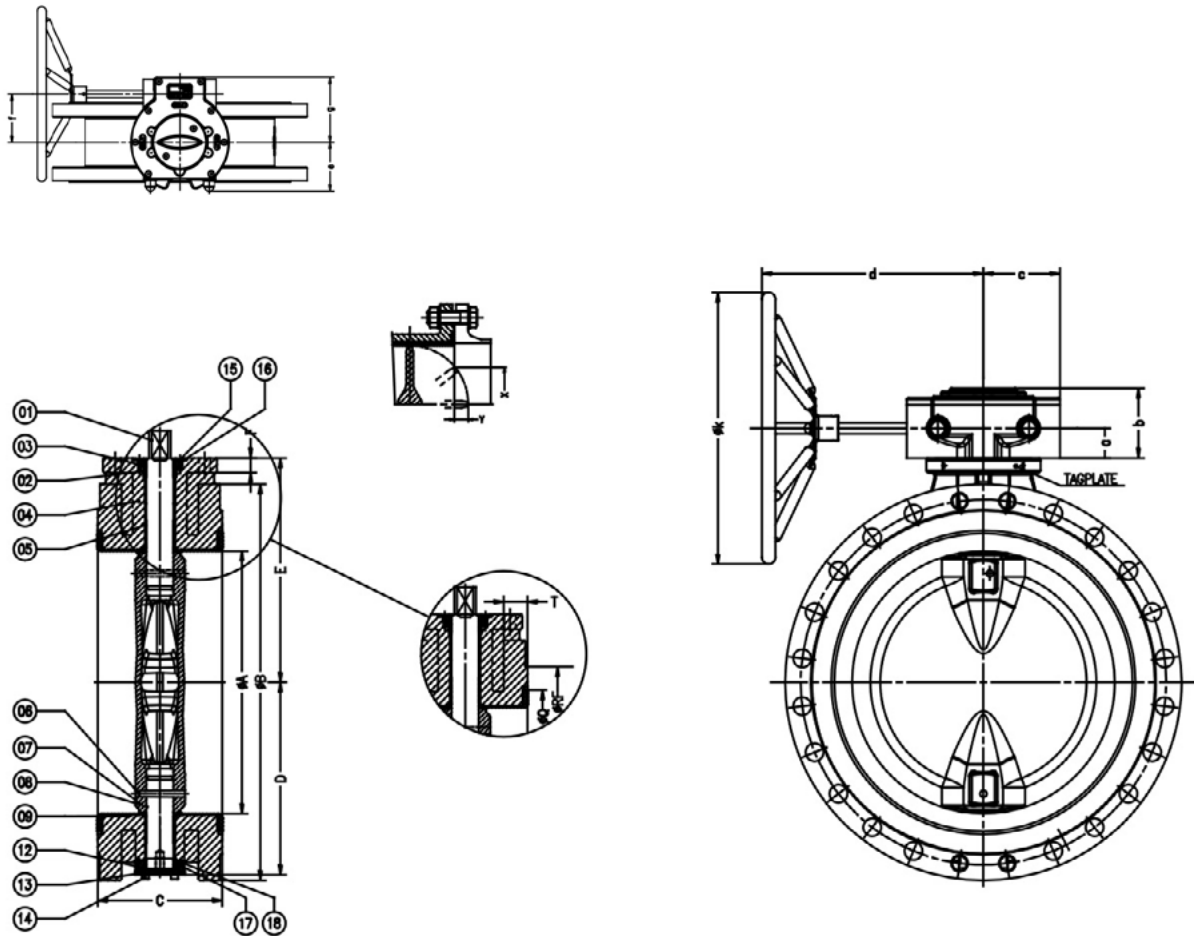
Tests:

- Body test pressure = 37.5 Bar
- Disc strength pressure = 37.5 Bar
- Seat test pressure - 27.5 Bar - bi-directional
- Operability test (open/close 3 times)

Actuation:

- Manual Electric, Pneumatic or Hydraulic





Component list

1. Shaft	Stainless Steel Duplex	9. Lining	EPDM
2. Bush	Bronze	12. Axial bearing	Bronze
3. O-ring	NBR	13. Cover plate	Stainless Steel
4. Body	Ductile Iron	14. Cylinder head screw	Stainless Steel A4
5. Bearing	Bronze PTFE coated	15. Counter sunk screw	Stainless Steel A4
6. Conical pin	Stainless Steel Duplex	16. Flanged bush	Bronze
7. Disc	Stainless Steel Duplex	17. O-ring	NBR
8. Shaft	Stainless Steel Duplex	16. Ring	Bronze

Components can be substituted with equivalent or higher class materials.

Reference nos. and dimensions

AVK ref. nos.	DN mm	A	C	D	E	F	G	H	K	L	M	n	Weight kilos
75-0500-202070649146X0	500	484	229	360	413	25	50	40	165	210	21	4	232
75-0600-202070649146X0	600	586	267	428	510	26	60	46	165	210	21	4	340
75-0700-202070649146X0	700	686	292	524	560	30	90	60	254	300	17	8	400
75-0750-202070649146X0	750	736	318	534	614	30	90	60	298	350	21	8	500
75-0800-202070649146X0	800	786	318	555	635	30	70	60	298	350	21	8	600
75-0900-202070649146X0	900	886	330	714	703	37	85	75	298	350	21	8	900
75-1000-202070649146X0	1000	986	410	765	754	37	85	75	356	415	31	8	1400
75-1200-202070649146X0	1200	1186	470	845	900	55	100	90	406	475	37	8	2000

X: 2 = Above ground gearbox (Progear IP67)
 3 = Buried service gearbox (Rotork IP68)