



AVK SWING CHECK VALVE PN16

41/39
41/36



Large diameter metal seated swing check valve
Face to face dimension to EN 558 table 2 series 48
Flange drilling to AS 4087 Fig. B5



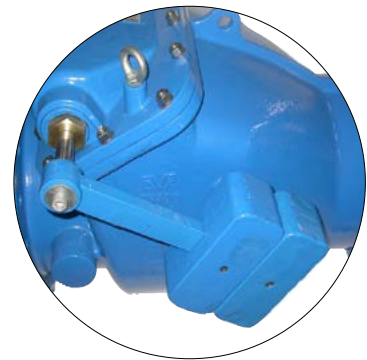
Use:

- For potable water and sewage applications
 - Valve designed for use up to 60°C
 - Where applicable; for AS 4020 compliance, max temp = 40°C
- Note: Always observe pipe material recommended operating temperatures



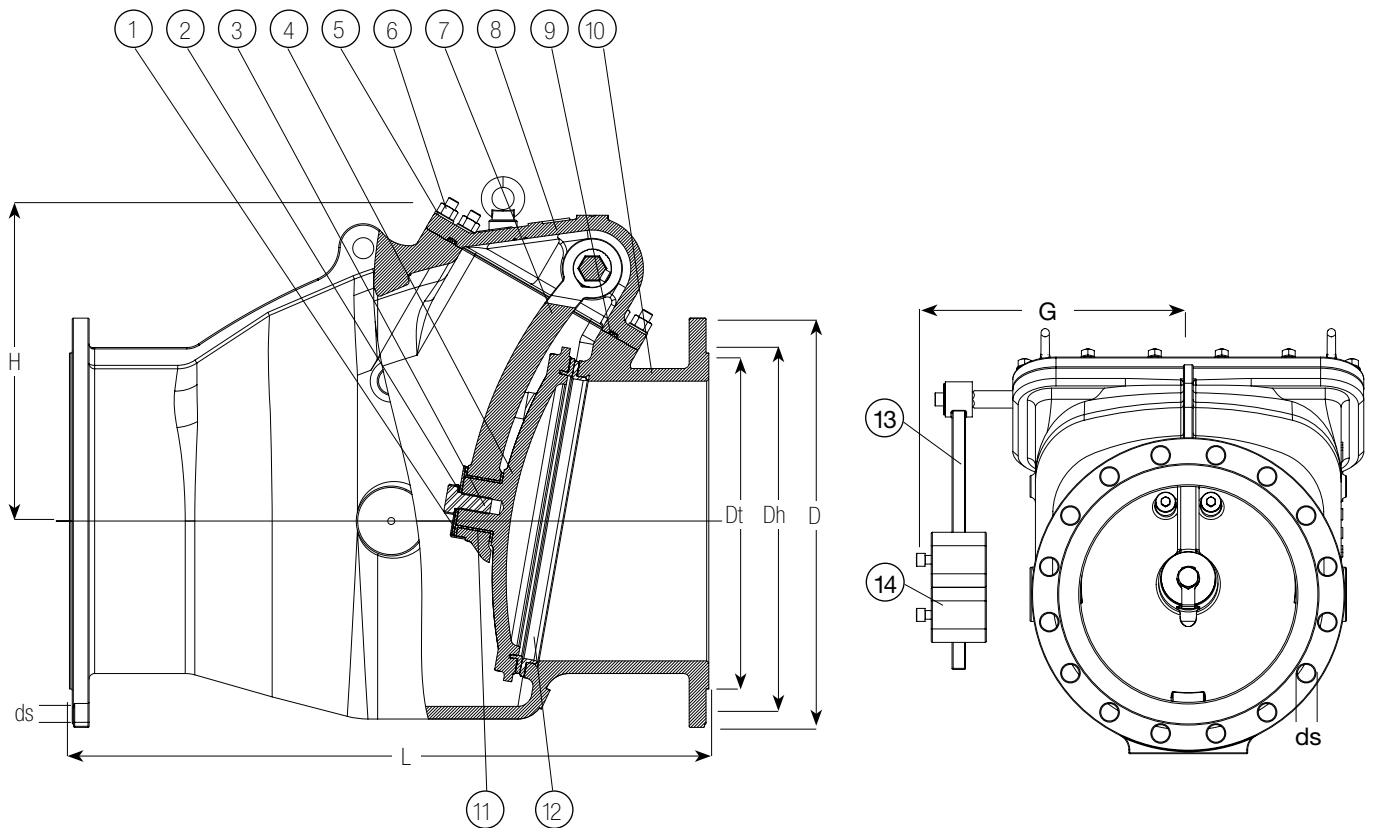
Tests:

- Hydraulic test to EN 1074-3:
 - Seat: 1.1 x PN
 - Body: 1.5 x PN



Lever & Weight





Component list

1. Washer lock		8. Bonnet	Ductile Iron, EN 1563, EN-GJS-500-7
2. Washer	Stainless Steel A4	9. Bonnet gasket	EPDM rubber
3. Bolt	Stainless Steel A4	10. Body	Ductile Iron, EN 1563, EN-GJS-500-7
4. Disc	Ductile Iron, EN 1563, EN-GJS-500-7	11. Bushing	Brass, CZ 114 to BS 2874
5. Washer	Stainless Steel A4	12. Seat	Aluminium bronze, EN 1982 CC331G
6. Bolt & Nut	Stainless Steel A4	13. Lever	Ductile Iron, EN 1563, EN-GJS-500-7
7. Hinge	Ductile Iron, EN 1563, EN-GJS-500-7	14. Weight	Ductile Iron, EN 1563, EN-GJS-500-7

Components can be substituted with equivalent or higher class materials.

Reference nos. and dimensions

AVK ref. nos.	DN	L mm	H mm	Dt mm	D mm	Dh mm	ds	Holes no.	G mm	Weight (theoretical)
Free acting - series 41/39										
41-350-390281206	350	800	439	429	520	470	28	12		312
41-400-390281206	400	900	492	480	580	525	31	12		373
41-450-390281206	450	1000	558	548	640	585	31	12		531
41-500-390281206	500	1100	650	609	715	650	34	16		738
41-600-390281206	600	1300	696	720	840	770	37	16		928
With lever and weight -series 41/36										
41-350-360281206	350	800	439	429	520	470	28	12	431	337.2
41-400-360281206	400	900	492	480	580	525	31	12	503	418.2
41-450-360281206	450	1000	558	548	640	585	31	12	538	578.64
41-500-360281206	500	1100	650	609	715	650	34	16	568	805.64
41-600-360281206	600	1300	696	720	840	770	37	16	625	995.64