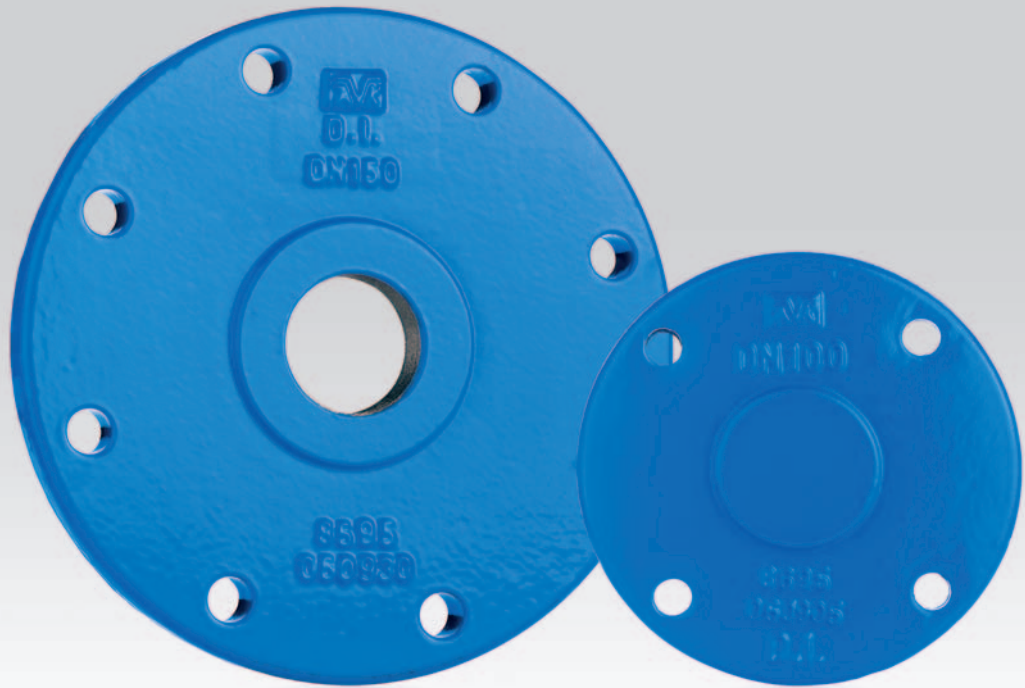


Blank flanges



This comprehensive range of fittings are designed to meet the requirements of the joint AS/NZS 2280 standard. This standard ensures that all pipe fittings have consistent dimensions and manufacturing tolerances, and are fully interchangeable with other AS/NZS 2280 fittings.

End features

Ductile iron standard blank flanges are drilled to standard AS 4087 or with special drillings as required.

Features

- Complies to AS/NZS 2280 Standard
- High strength light weight ductile iron construction
- Compatible with all current pipe types



Humes Ductile iron pipes & fittings range



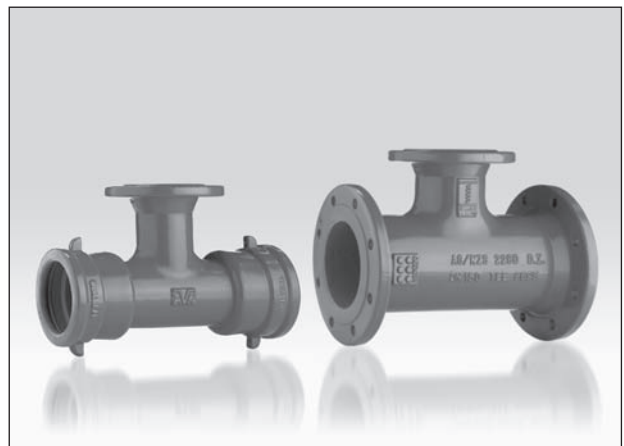
Hydrant Risers



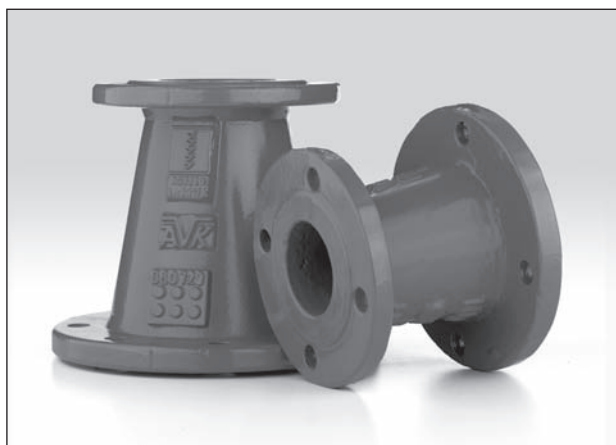
Standard Bends



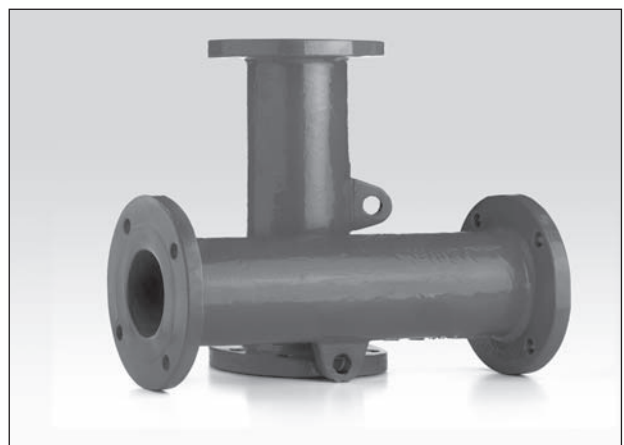
Flange Adaptors



Tees and Hydrant Tees



Reducers



Lengthening Pieces

Buyers and users of the products described in this brochure must make their own assessment of the suitability and appropriateness of the products for their particular use and the conditions in which they will be used. All queries regarding product suitability, purpose or installation should be directed to the nearest Humes Sales Centre for service and assistance. © Fletcher Concrete and Infrastructure Limited 2007. Printed 05/07.

