

Stainless steel knifegate valve designed to MSS-SP-81 and APPI TIS 405-8 standards. Standard flange drilling to AS2129 Table D (compatible with AS4087 PN16 flanges) Stainless steel top works.

Application Fields:	Water, Sewer and Mining
Actuation:	Handwheel (pneumatic, electric & quick action lever as options)
Pressure:	1000kpa
Temperature range fluids:	120°C max with EPDM seat
End Connection:	AS2129 Table D

Materials:

Body	Cast Stainless Steel (CF8M)
Gate	316 Stainless Steel
Seat	EPDM (NBR, Viton or PTFE options)
Packing	PTFE impregnated synthetic fibre
Gland Follower	Cast Stainless Steel (CF8M)
Stem	430 Stainless Steel
Stem Nut	Brass
Yoke	Stainless Steel
Handwheel	Ductile Iron FBE Coated



Designs, materials and specifications shown are subject to change without notice due to our continuing program of product development.

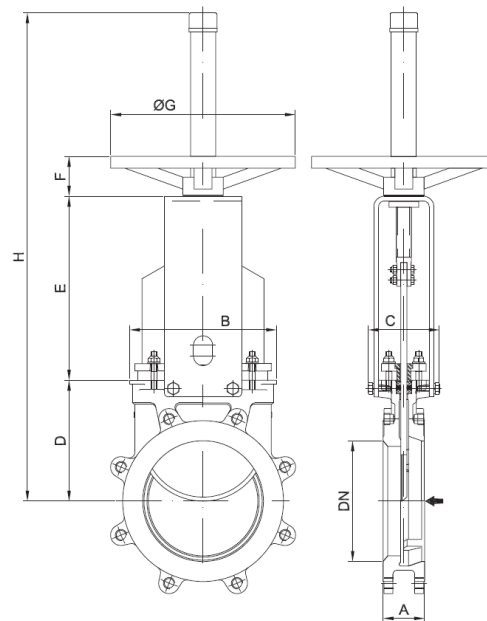
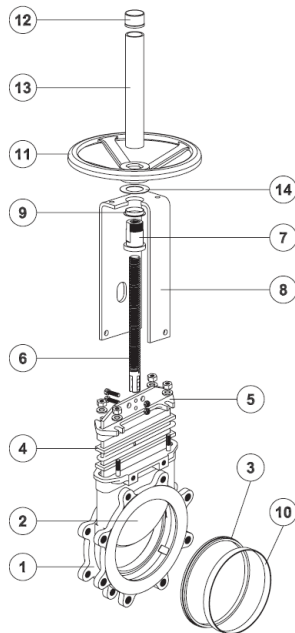


AVK Industrial Pty Ltd
Unit 1 15 Dunstan Road, Wingfield, SA 5013 Australia
Tel: +61 8 8262 8885
Fax: +61 8 8262 7071
E-mail: sales@avkindustrial.com.au
www.avkindustrial.com.au
Copyright© AVK Group A/S 2011

Stainless steel knifegate valve designed to MSS-SP-81 and APPI TIS 405-8 standards. Standard flange drilling to AS4087 B5. Stainless steel top works.

Component list

ITEM	PARTS	MATERIAL
1	Body	CF8M
2	Gate	AISI 316
3	Seat	Metal or EPDM
4	Packing	PTFE Impreg. Synth.Fibre
5	Gland Follower	CF8M
6	Stem	AISI 430
7	Stem Nut	Brass
8	Yoke	Stainless Steel
9	Collar	Nylon
10	Seat Retainer Ring	AISI 316
11	Handwheel	310 Ductile Iron
12	Cap	Plastic
13	Stem Protector	Carbon Steel - Epoxy Coated
14	Thrust Washer	Brass



AVK Ref. nos.	DN	A	B	C	D	E	F	ØG	H	Weight (kg)
I260503CD21	50	48	124	100	98	136	47	225	420	8
I260803CD21	80	51	149	100	119	162	47	225	470	10
I261003CD21	100	51	169	100	139	187	47	225	519	12.5
I261253CD21	125	57	169	100	150	223	47	225	613	16
I261503CD21	150	57	197	100	165	237	47	225	642	20
I262003CD21	200	70	247	122	203	309	67	310	820	32
I262503CD21	250	70	298	122	233	345	67	310	986	47
I263003CD21	300	76	349	122	273	390	69	410	1071	65
I263503CD21	350	76	391	193	312	433	66	410	1245	95
I264003CD21	400	89	439	193	347	478	66	410	1325	122
I264503CD21	450	89	483	197	415	552	67	550	1510	160
I265003CD21	500	114	542	197	450	611	67	550	1617	202
I266003CD21	600	114	637	197	501	697	67	550	1883	290

C- Flange Pattern
 2: Table D
 4: Table E
 6: ANSI Class 150

D- Seat Material/Gate Material
 3: EPDM/316SS
 5: Metal Seated/Nitride Treated 316SS

