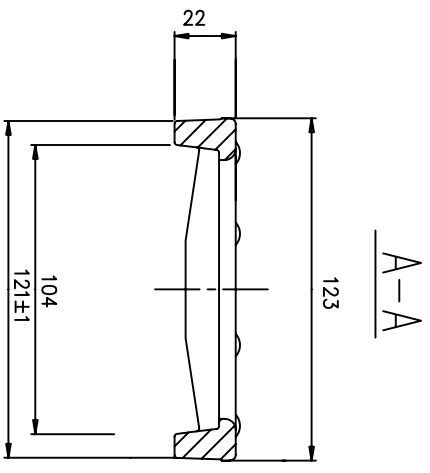
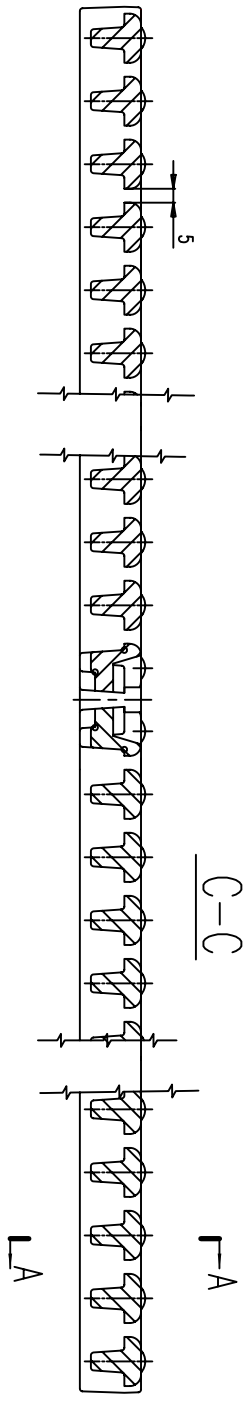
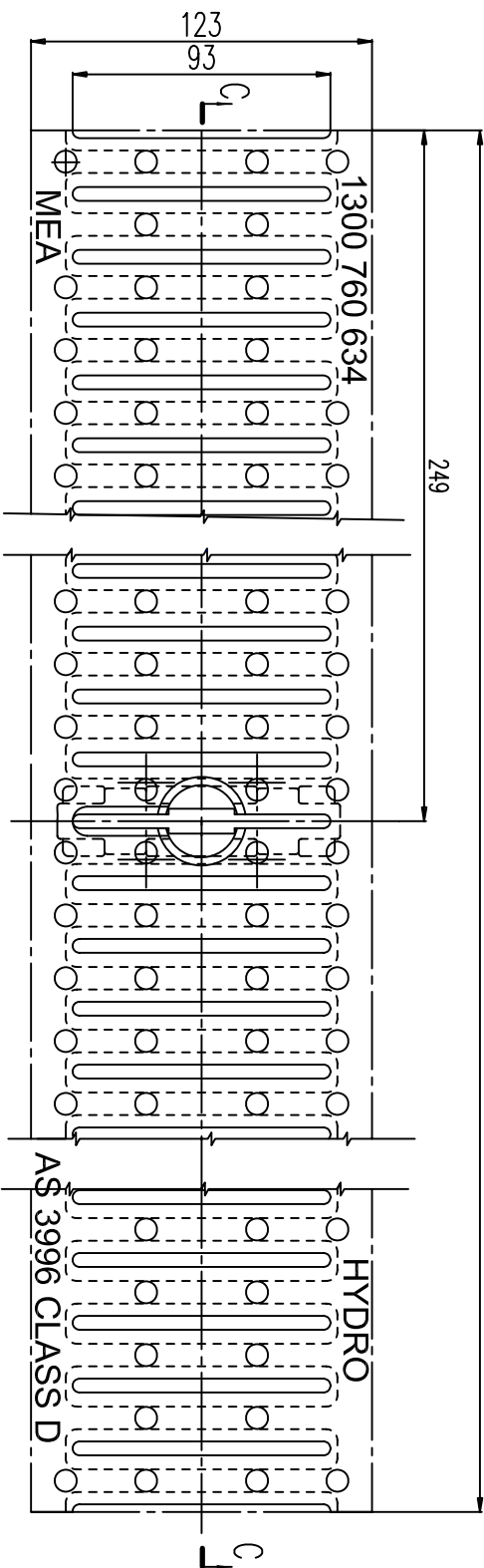


DATA SHEET



498^{+1.5}
-1.0



NOTE:
COLOUR: MATT-BLACK



Title		Ductile Iron Heelguard Grate Suit Z1000			
Date	12/06/2009	Drawer	BG	Revision	B
Weight	4.6 KG	Drawing No.	152541	AS 3996 CLASS D210KN	