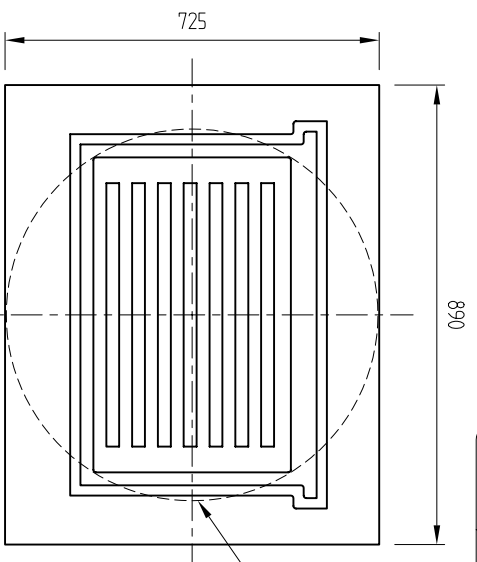
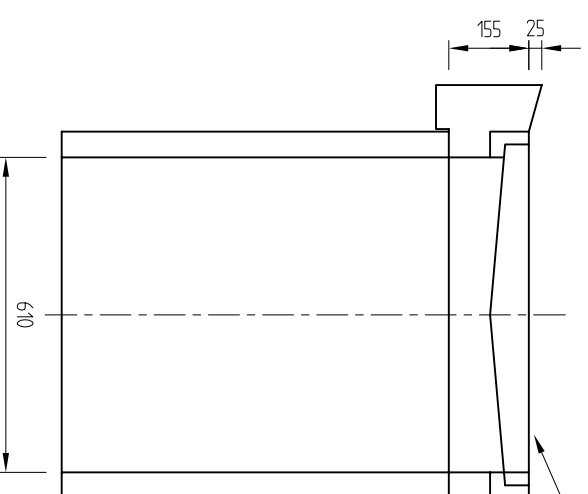


3D VIEW



PLAN



ELEVATION

NOTES :

1. MASS: (a) RISER - 290 Kg/m
 (b) SUMP TOP COMPLETE WITH FRAME & GRATE - 2163 Kg
 (c) SUMP TOP WITHOUT FRAME & GRATE - 134.7 Kg
2. CONCRETE BASED ON 240 KGS PER HL

SPECIFICATIONS :

1. MANUFACTURE IN ACCORDANCE WITH NZS 3109:1997 (PRECAST UNITS)
2. SURFACE FINISHES TO NZS 3114:1987
 Formed Surfaces - F4
 Trowelled Surfaces - U2
3. CONCRETE STRENGTH : a) $f_c = 35$ MPa
 b. Stripping Strength (f_{tr}) = 10 MPa
4. STEEL GRADE: MESH TO NZS 3422:1975; BARS TO NZS 3402:1989



Humes Pipeline Systems
 Private Bag 92817
 Auckland
 Freephone 0800 502 112
 www.humes.co.nz

Copyright: This design, information and drawing remain the property of Humes Pipeline Systems and may not be used or copied without approval in writing from Humes Pipeline Systems.

YARD SUMP

Drawn By	SB	Date	09-08-04
Checked By		Scale	A4
Reference No.			1:15
Drawing No.		Rev. No.	0