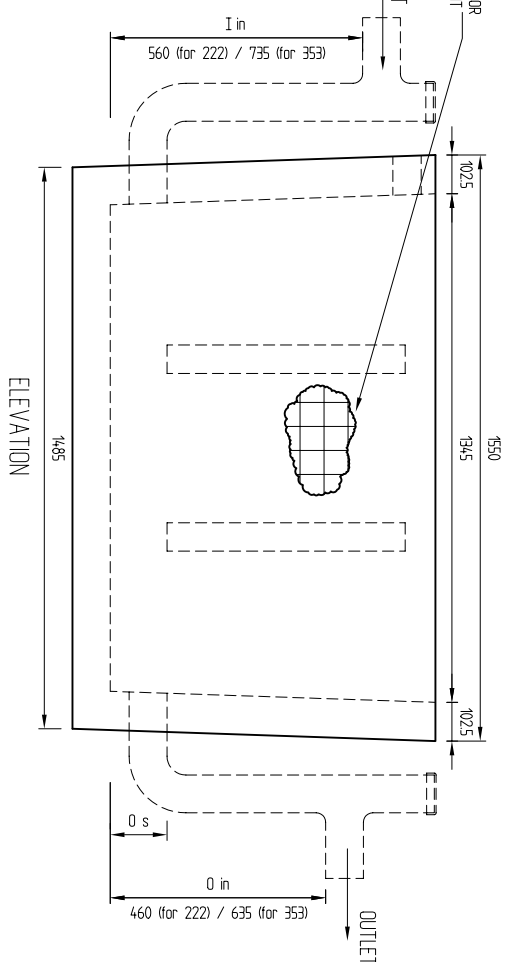
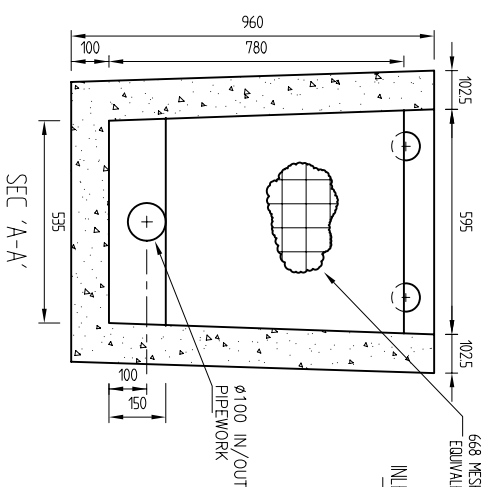
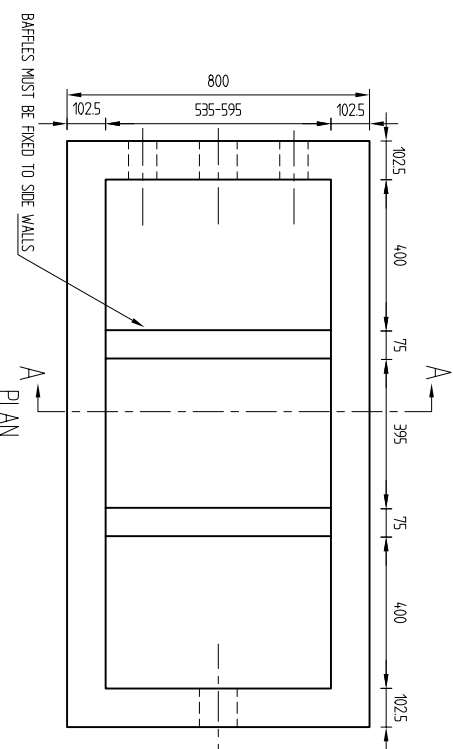
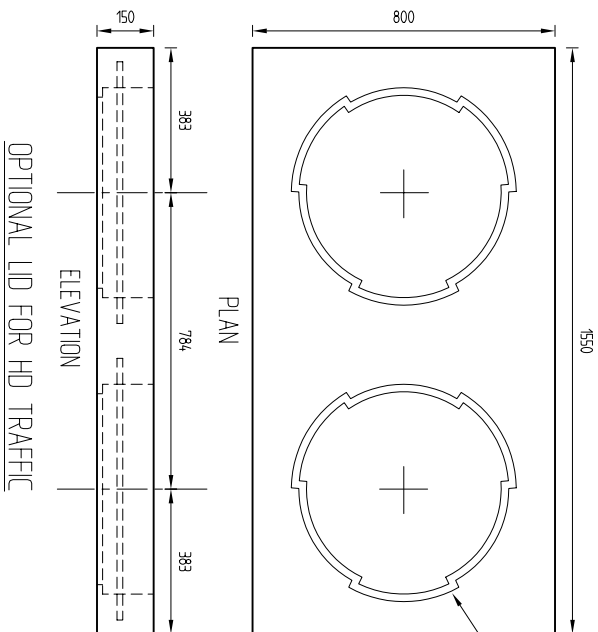


3D VIEW



NOTES:

1. CONCRETE QUANTITY: 6.5 HL
2. LID: 20 KGS HD/12 AT 30 COVER UNLESS OTHERWISE SPECIFIED
3. SWIFTLIFTS: 4X13 TONNE X 120 FOOT (BODY UNIT) TOP EDGE
4. CONCRETE BASED ON 240 KGS PER HL
5. TOTAL MASS WEIGHT: 1800 KGS (INCLUDING C.I. LIDS)

SPECIFICATIONS:

1. MANUFACTURE IN ACCORDANCE WITH NZS 3109:1997 (PRECAST UNITS)
2. SURFACE FINISHES TO NZS 3114:1987
Formed Surfaces - F4
Trowelled Surfaces - U2
3. CONCRETE STRENGTH: a. $f'c = 35 \text{ MPa}$
b. Stripping Strength (min) = 15 MPa



Humes Pipeline Systems
 Private Bag 92817
 Auckland
 Telephone 0800 502 112
 www.humes.co.nz

Copyright: This design, information and drawing remain the property of Humes Pipeline Systems and may not be used or copied without approval in writing from Humes Pipeline Systems.

GREASE TRAPS
 222-353 LITRE

Drawn By Savinder Date 20-02-04

Checked By Scale A4 1 : 20

Reference No.

Drawing No

Rev. No
 0