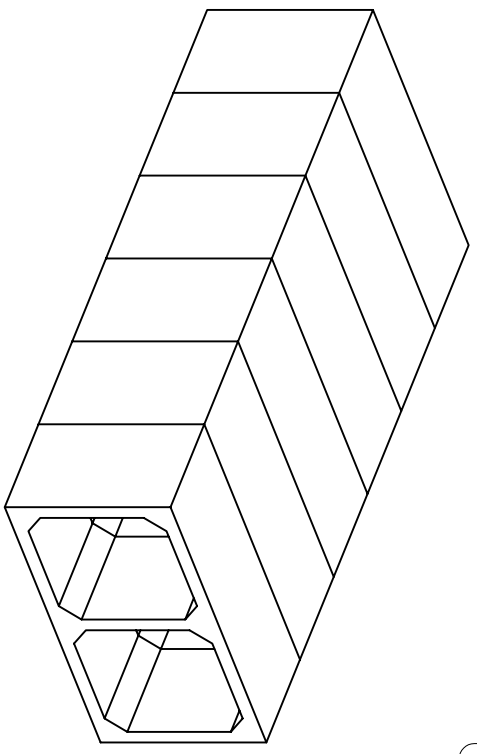
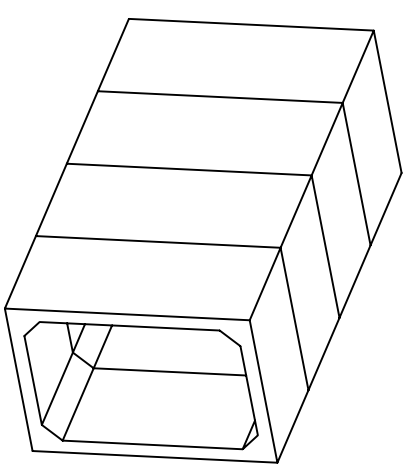


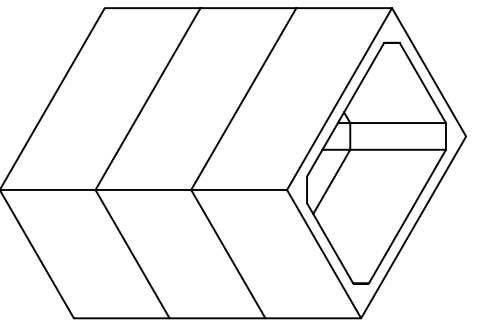
STANDARD BOX CULVERT OR RURAL STOCK UNDERPASS



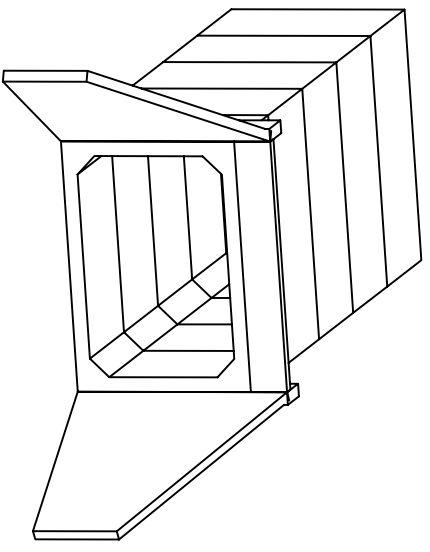
TWIN CELL BOX CULVERTS



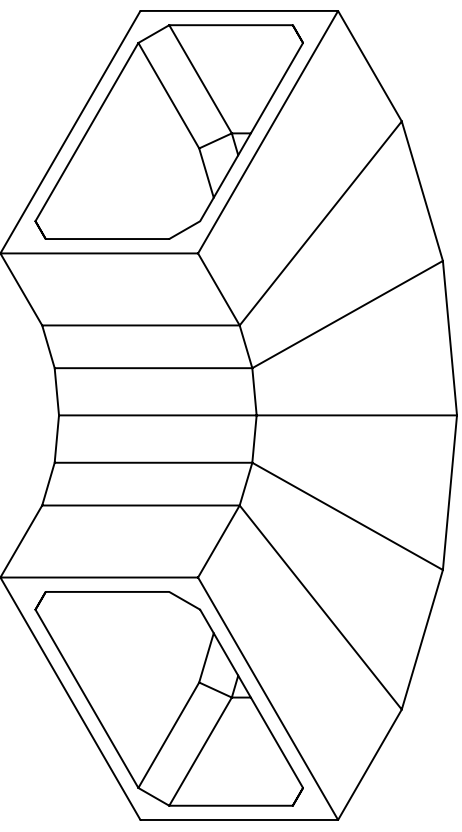
STANDING BOX CULVERTS VARIATION



VERTICAL BOX CULVERTS FOR CHAMBER APPLICATIONS



BOX CULVERT WITH OPTIONAL PRECAST WINGWALL AND HEADWALL PANEL



BOX CULVERTS WITH DIRECTIONAL CHANGE

SPECIFICATIONS

1. MANUFACTURE IN ACCORDANCE WITH NZS 3109:1997 (PRECAST UNITS)
2. SURFACE FINISHES TO NZS 3114:1987
 Formed Surfaces - F4
 Trowelled Surfaces - U2
3. CONCRETE STRENGTH : a. f_c = 40MPa (min)
 b. Stripping Strength (min) = 15MPa



Humes Pipeline Systems
 Private Bag 92817
 Auckland
 Freephone 0800 502 112
 www.humes.co.nz

Copyright: This design, information and drawing remain the property of Humes Pipeline Systems and may not be used or copied without approval in writing from Humes Pipeline Systems.

BOX CULVERTS-3D FORMS

Drawn By	Savinder	Date	16-01-04
Checked By		Scale	A4 NTS
Reference No.			
Drawing No.		Rev. No.	0