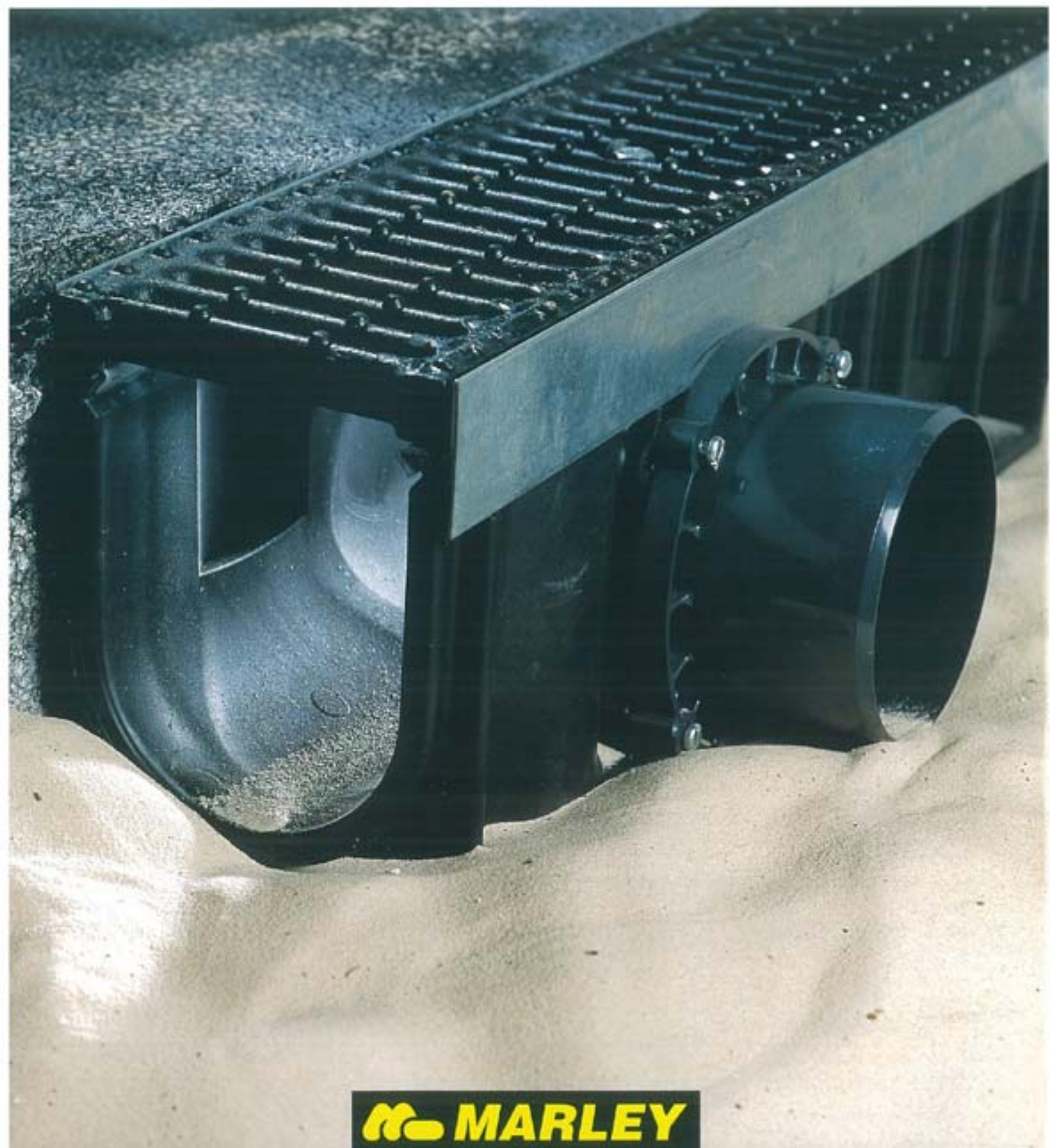


Marley U250

Surface channel with grating



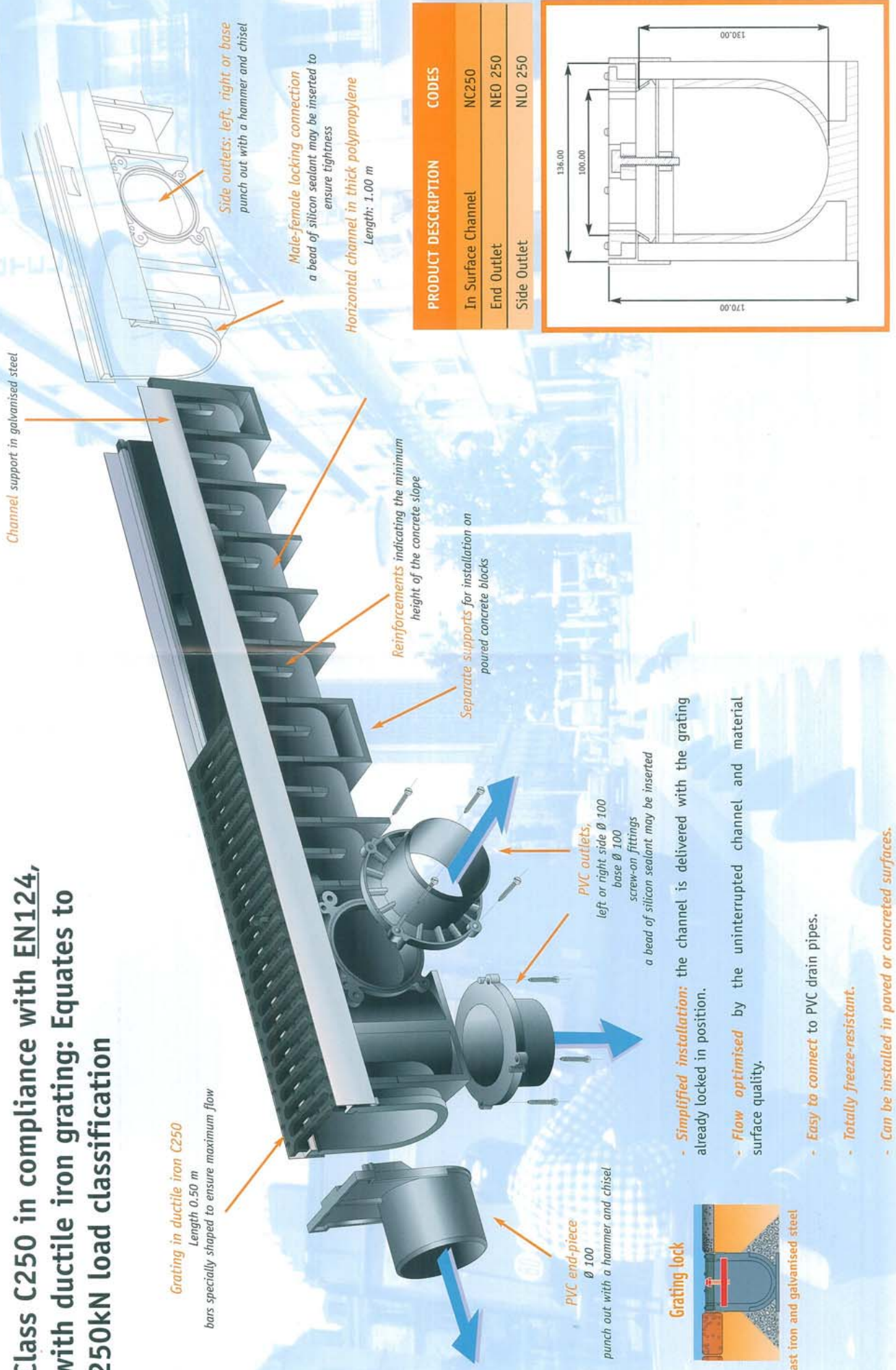
 **MARLEY**

U 250

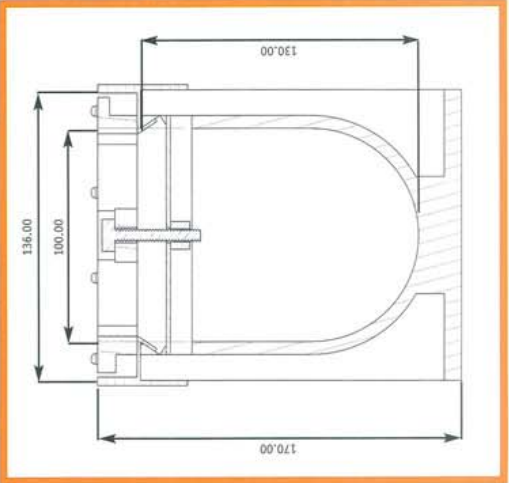
CHANNEL & GRATE

Surface channel with grating, service width 100 mm, overall width 130 mm, for municipal applications

Class C250 in compliance with EN124,
with ductile iron grating: Equates to
250kN load classification



PRODUCT DESCRIPTION	CODES
In Surface Channel	NC250
End Outlet	NEO 250
Side Outlet	NLO 250

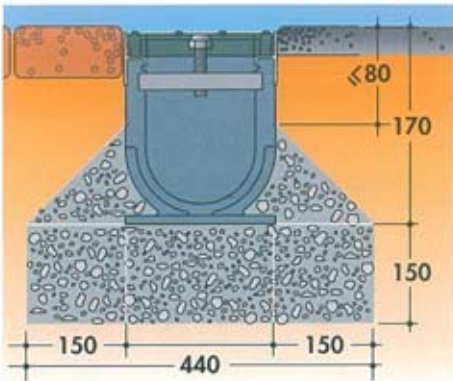


- **Simplified installation:** the channel is delivered with the grating already locked in position.
- **Flow optimised** by the uninterrupted channel and material surface quality.
- **Easy to connect** to PVC drain pipes.
- **Totally freeze-resistant.**
- **Can be installed in paved or concreted surfaces.**

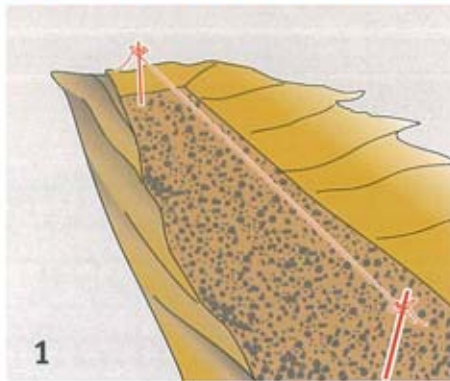


Cast iron and galvanised steel

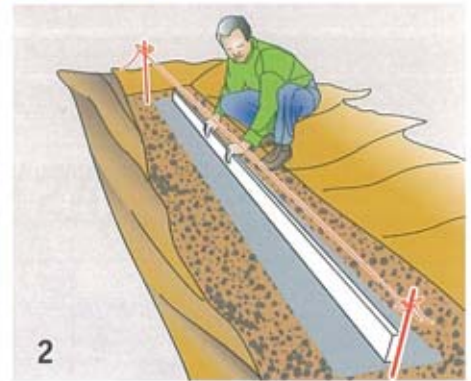
Installation of the Surface Channel



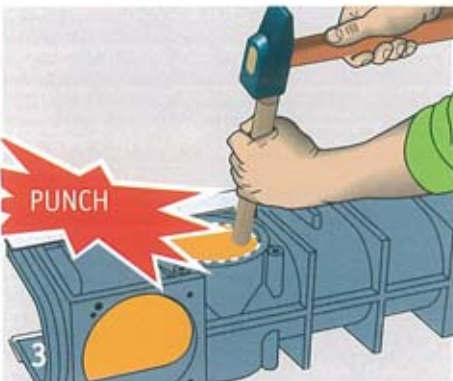
Dimensions of the continuous footing and concrete slope to achieve the load resistances for the Marley U250 channel.



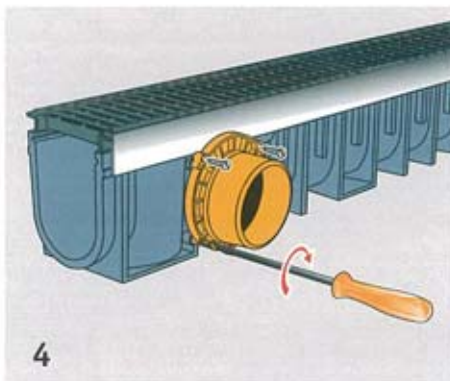
1 Once the trench has been opened, mark the top surface of the channel with a line.



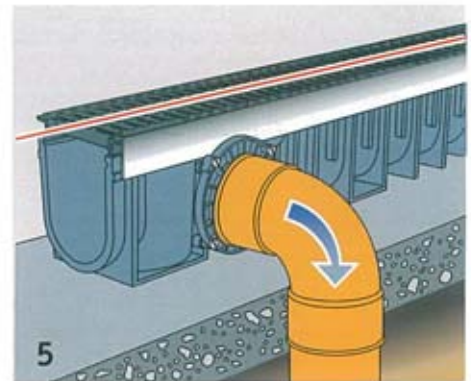
2 Pour a bed of 20MPa minimum grade concrete to a depth of 150 mm.



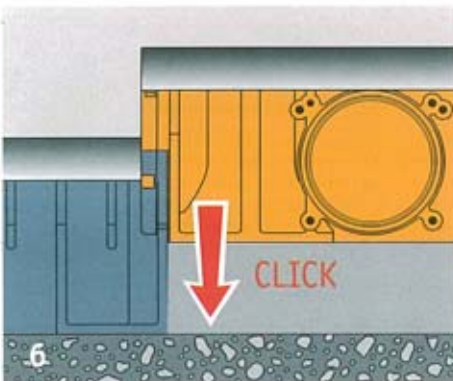
3 Punch out the desired drain outlet.



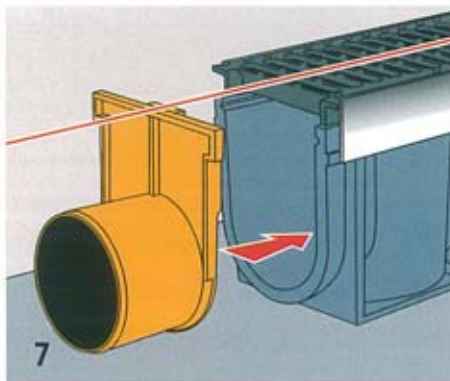
4 Attach the PVC drain connection piece using the screws supplied.



5 Position the channel on the concrete bed and connect to the stormwater drain.



6 Click into place the following lengths.



7 Seal the ends.



8 Finish concreting in the form of a slope at least up to the 8 cm marker from the top of the channel.

an **Etex** GROUP company

DISCLAIMER

This technical data brochure has been compiled by Marley New Zealand Limited ("The Company") to promote better understanding of the technical aspects of the Company's products to assist users in obtaining from them the best possible performance. The technical data brochure is supplied subject to acknowledgment of the following conditions:
The technical data brochure is protected by Copyright and may not be copied or reproduced in any form or by any means in whole or in part without prior consent in writing by the Company.
Product specifications, usage data and advisory information may change from time to time with advances in research and field experience. The Company reserves the right to make such changes at any time without notice.
Correct usage of the Company's products involve engineering judgements which cannot be properly made without full knowledge of all the conditions pertaining to each specific installation. The Company expressly disclaims all and any liability to any person whether supplied with this publication or not in respect of anything and of the consequences of anything done or omitted to be done by any such person in reliance whether whole or partial upon the whole or any part of the contents of this publication.
No offer to trade, nor any conditions of trading, are expressed or implied by the issue or content of this manual.
Nothing herein shall override the Company's Conditions of Sale, which may be obtained from the Registered Office or any Sales Office of the Company.
This technical data brochure is and shall remain the property of the Company, and shall be surrendered on demand to the Company.

AUCKLAND

Mahia Road, Manurewa, Private Bag 802 Manurewa
Sales Department: Telephone 09 279 2777
Direct Fax 09 279 2778 Freefax 0800 652 621
Head Office: Telephone 09 279 2799 Fax 09 279 2798
Sales Hotline: 0800 222 922

CHRISTCHURCH

Shands Road, Hornby, PO Box 16233 Christchurch
Sales Hotline: 0800 222 922
For a quotation, installation or more information call free
0800 MARLEY (0800 627 539)