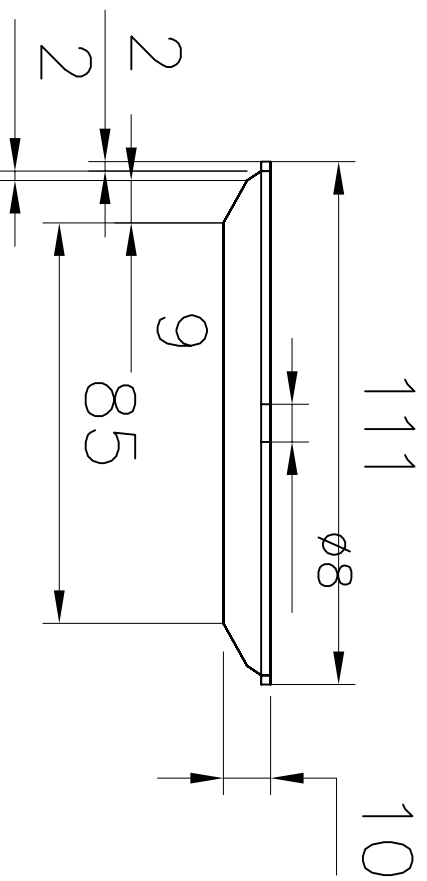
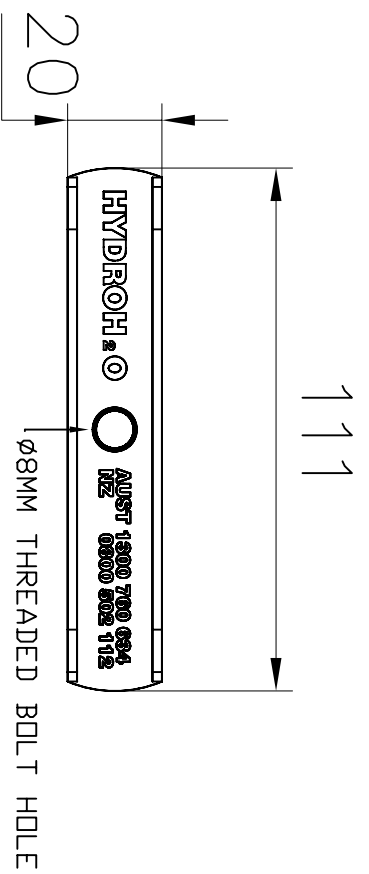
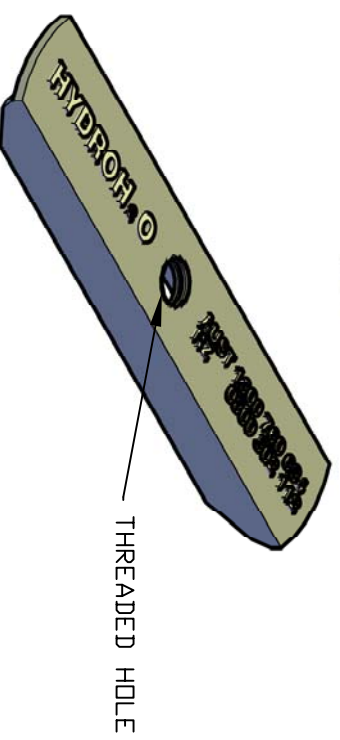
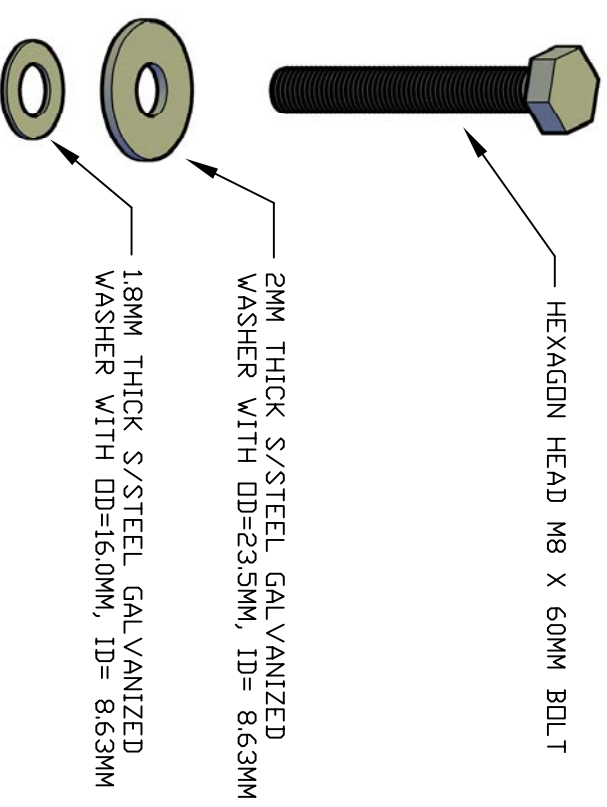


STAINLESS STEEL LOCKING MECHANISM WITH M8 BOLT AND WASHERS



- NOTE:
- 1 ALL DIMENSION IN MM
 - 2 THICKNESS : 2MM
 - 3 MATERIAL : S/STEEL



This document must not be copied without our written permission, and the contents thereof must not be imported to a third party nor be used for any unauthorised purpose.

HYDRO H20 Copyright

TOLERANCE:

ANGULAR : ± 30'
 CASTING : ± 0.16%
 FILET : 3mm Typical
 MOULDING: ALL TAPERS @ 2°
 FLATNESS & STRAIGHTNESS: ± 0.2
 MACHINING $\sqrt{\frac{32}{V}}$

	<table border="1"> <tr> <td>DRAWN</td> <td>INITIAL</td> <td>SIGNATURE</td> <td>DATE</td> </tr> <tr> <td>BG</td> <td></td> <td></td> <td>01.09.2009</td> </tr> </table>	DRAWN	INITIAL	SIGNATURE	DATE	BG			01.09.2009	<table border="1"> <tr> <td>THIRD ANGLE PROJECTION</td> <td>DRAWING CHECK</td> <td>DATE</td> </tr> <tr> <td></td> <td>MATERIAL</td> <td></td> </tr> <tr> <td></td> <td>CLIENT APPROVED</td> <td></td> </tr> </table>	THIRD ANGLE PROJECTION	DRAWING CHECK	DATE		MATERIAL			CLIENT APPROVED	
	DRAWN	INITIAL	SIGNATURE	DATE															
BG			01.09.2009																
THIRD ANGLE PROJECTION	DRAWING CHECK	DATE																	
	MATERIAL																		
	CLIENT APPROVED																		

PROJECT		QUOTE NO
TITLE		
STAINLESS STEEL LOCKING MECHANISM FOR SLOTTED GRATINGS		
DWG SIZE / SCALE	DRAWING No.	REV.
A4	152211	B