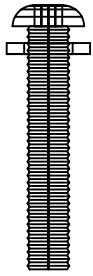
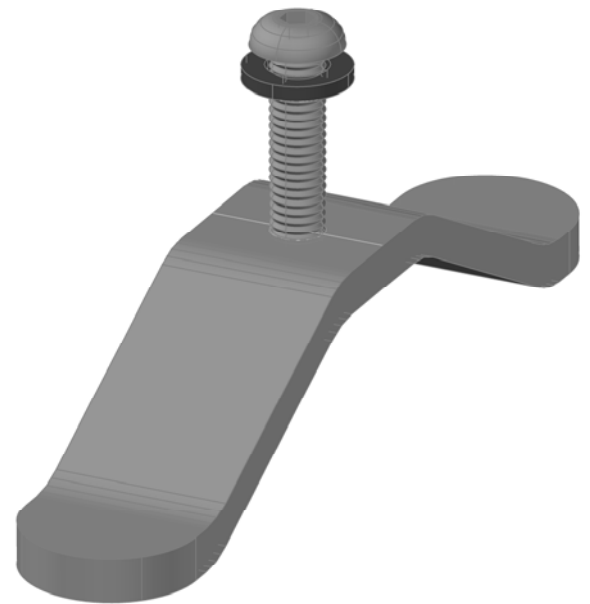
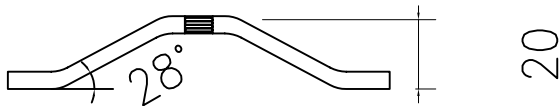
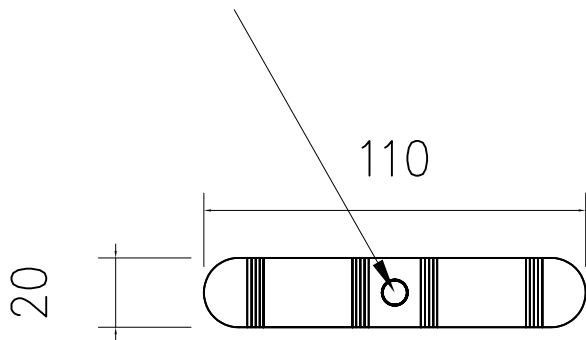


DATA SHEET



Sample of M6 x 35mm
Button Head Bolt

threaded hole suit M6 bolt



Note:

- 1 All dimension is in mm
- 2 Thickness: 5mm
- 3 Washer: 12mm \varnothing O.D x 1.6mm Thk
- 4 Bolt: M6x35mm Button Head



This document must NOT be copied without our written permission. The contents thereof must not be imported to a third party nor be used for any unauthorised purpose.
HYDROH₂O Copyright

Building A2, Level 2
63-85 Turner Street
Port Melbourne
VIC 3207
Australia
Tel: +61 3 9673 1888
Fax: +61 3 9673 1800

PROJECT:		CLIP WITH M6 THREADED HOLE		Quote No:
Drawing No.		147110		Revision: A
Scale:	NTS	Drawn:	BG	Client approved:
Date:	30/06/2008	Color:		