

Polyethylene Pipe LDPE

Humes Pipeline Systems distributes a comprehensive range of LDPE - Low Density Polyethylene Pipe solutions for applications in the roading, subdivision, municipal and rural market sectors.



Item Code	Description	Diameter (mm)	Length (m)	Weight (kg)	Unit Price (NZD)
72001	LDPE015.15MM LDPE 25M	15	25.00	9.000	\$29.60
72002	LDPE015.15MM LDPE 50M	15	50.00	13.000	\$59.18
72003	LDPE015.15MM LDPE 100M	15	100.00	20.000	\$118.37
72004	LDPE015.15MM LDPE 150M	15	150.00		\$140.08
72005	LDPE015.15MM LDPE 200M	15	200.00	30.000	\$236.82
72008	LDPE020 20MM LDPE 25M	20	25.00	18.000	\$55.86
72009	LDPE020 20MM LDPE 50M	20	50.00	27.000	\$111.80
72010	LDPE020 20MM LDPE 100M	20	100.00	47.000	\$223.65
72012	LDPE020 20MM LDPE 200M	20	200.00	67.000	\$447.30
72015	LDPE025 25MM LDPE 25M	25	25.00	27.000	\$69.94
72016	LDPE025 25MM LDPE 50M	25	50.00	43.000	\$139.79
72017	LDPE025 25MM LDPE 100M	25	100.00	80.000	\$279.51
72019	LDPE025 25MM LDPE 200M	25	200.00	93.000	\$559.15
72021	LDPE032 32MM LDPE 25M	32	25.00	50.000	\$87.18
72022	LDPE032 32MM LDPE 50M	32	50.00	63.000	\$174.31
72023	LDPE032 32MM LDPE 100M	32	100.00	100.000	\$348.14
72025	LDPE032 32MM LDPE 200M	32	200.00	153.000	\$697.26
72026	LDPE040 40MM LDPE 25M	40	25.00	77.000	\$105.24
72027	LDPE040 40MM LDPE 50M	40	50.00	117.000	\$210.52
72028	LDPE040 40MM LDPE 100M	40	100.00	143.000	\$420.98
72030	LDPE040 40MM LDPE 200M	40	200.00	240.000	\$790.69
72031	LDPE050 50MM LDPE 25M	50	25.00	127.000	\$138.99
72032	LDPE050 50MM LDPE 50M	50	50.00	180.000	\$277.97
72033	LDPE050 50MM LDPE 100M	50	100.00	297.000	\$555.86
72034	LDPE050 50MM LDPE 150M	50	150.00		\$655.86

Note:

Not all items are available at all Sales Centres.

All prices are subject to change.

All prices are ex yard. Freight to site is extra.

All sizes are nominal. For a more accurate description, please contact your local Sales Centre.

All prices are exclusive of GST.

Polyethylene Pipe MDPE

Humes Pipeline Systems distributes a comprehensive range of MDPE - Medium Density Polyethylene Pipe solutions for applications in the roading, subdivision, municipal and rural market sectors.



Item Code	Description	Diameter (mm)	Length (m)	Weight (kg)	Unit Price (NZD)
<i>2500 Series PN12.5 SDR11 MDPE Blue Pipe - 20mm</i>					
72186	P2500.20.5 MDPE PRESSURE PIPE	20	5.00		\$15.31
72145	P2500.20.25 MDPE PRESSURE PIPE	20	25.00	13.000	\$66.41
72146	P2500.20.50 MDPE PRESSURE PIPE	20	50.00	23.000	\$132.76
72147	P2500.20.100 MDPE PRESSURE PIPE	20	100.00	37.000	\$265.57
<i>2500 Series PN12.5 SDR11 MDPE Blue Pipe - 25mm</i>					
72187	P2500.25.5 MDPE PRESSURE PIPE	25	5.00		\$19.53
72153	P2500.25.25 MDPE PRESSURE PIPE	25	25.00	20.000	\$85.08
72150	P2500.25.50 MDPE PRESSURE PIPE	25	50.00	33.000	\$170.22
72151	P2500.25.100 MDPE PRESSURE PIPE	25	100.00	47.000	\$345.55
78101	P2500.25.200 MDPE PRESSURE PIPE	25	200.00		\$680.80
<i>2500 Series PN12.5 SDR11 MDPE Blue Pipe - 32mm</i>					
72929	P2500.32.5MTR BLUELINE 5 METRE	32	5.00		\$32.51
72157	P2500.32.25 MDPE PRESSURE PIPE	32	25.00	33.000	\$141.01
72154	P2500.32.50 MDPE PRESSURE PIPE	32	50.00	53.000	\$282.44
72155	P2500.32.100 MDPE PRESSURE PIPE	32	100.00	83.000	\$564.85
72073	P2500.32.200 MDPE PRESSURE PIPE	32	200.00		\$1,113.52
<i>2500 Series PN12.5 SDR11 MDPE Blue Pipe - 40mm</i>					
80902	P2500.40.5 MDPE PER 5 METRES	40	5.00		\$53.02
72066	P2500.40.25 MDPE PRESSURE PIPE	40	25.00	67.000	\$199.24
72067	P2500.40.50 MDPE PRESSURE PIPE	40	50.00	77.000	\$398.48
72144	P2500.40.100 MDPE PRESSURE PIPE	40	100.00	130.000	\$856.30
<i>2500 Series PN12.5 SDR11 MDPE Blue Pipe - 50mm</i>					
80432	P2500.50.5 MDPE PER 5 METRES	50	5.00		\$72.13
71842	P2500.50.25 MDPE PRESSURE PIPE	50	25.00	90.000	\$350.65
72158	P2500.50.50 MDPE PRESSURE PIPE	50	50.00	130.000	\$701.39
72159	P2500.50.100 MDPE PRESSURE PIPE	50	100.00	193.000	\$1,402.76
<i>2500 Series PN12.5 SDR11 MDPE Blue Pipe - 63mm</i>					
80433	P2500.63.5 MDPE PER 5 METRES	63	5.00		\$126.35
72161	P2500.63.25 MDPE PRESSURE PIPE	63	25.00	143.000	\$549.26
72162	P2500.63.50 MDPE PRESSURE PIPE	63	50.00	233.000	\$1,095.95
72163	P2500.63.100 MDPE PRESSURE PIPE	63	100.00	367.000	\$1,251.42
60360	P2500.63.200 PN12.5 SDR11 PE80 MDPE	63	200.00		\$3,526.89
<i>2500 Series PN12.5 SDR11 MDPE Blue Pipe - 90mm</i>					
60366	P2500.90.50 PN12.5 SDR11 PE80 MDPE	90	50.00	557.000	\$1,771.00

Note:

Not all items are available at all Sales Centres.

All prices are subject to change.

All prices are ex yard. Freight to site is extra.

All sizes are nominal. For a more accurate description, please contact your local Sales Centre.

All prices are exclusive of GST.

Polyethylene Pipe MDPE

Item Code	Description	Diameter (mm)	Length (m)	Weight (kg)	Unit Price (NZD)
<i>2500 Series PN12.5 SDR11 MDPE Blue Pipe - 90mm</i>					
60367	P2500.90.100 PN12.5 SDR11 PE80 MDPE	90	100.00	833.000	\$3,542.00
<i>PE80 PN12.5 SDR11 Pipe - Black</i>					
81859	PE75.12MTR.SDR11.PE80.PN12.5	75	12.00		\$394.42
64044	PE90.12MTR.SDR11.PE80B.PN12.5 BLACK	90	12.00	33.000	\$519.23
64046	PE110.12MTR.SDR11.PE80B.PN12.5 BLACK	110	12.00		\$772.80
71124	PE125.12MTR.SDR11.PE80.PN12.5 BLACK	125	12.00	63.000	\$893.99
64102	PE140.12MTR.SDR11.PE80B.PN12.5 BLACK	140	12.00		\$1,016.88
76717	PE160.12MTR.SDR11.PE80B.PN12.5 BLACK	160	12.00		\$1,453.00
64104	PE180.12MTR.SDR11.PE80B.PN12.5 BLACK	180	12.00		\$3,399.96
81634	PE200.12MTR.SDR11.PE80B.PN12.5 BLACK	200	12.00		\$2,263.91
80981	PE225.12MTR.SDR11.PE80B.PN12.5 BLACK	225	12.00		\$2,866.06
81858	PE250.12MTR.SDR11.PE80B.PN12.5 BLACK	250	12.00		\$3,525.11
64060	PE280.12MTR.SDR11.PE80B.PN12.5 BLACK	280	12.00		\$4,419.04
64062	PE315.12MTR.SDR11.PE80B.PN12.5 BLUE	315	12.00		\$5,593.45
60356	PE355.12MTR.SDR11.PE80.PN12.5 BLACK	355	12.00		\$7,100.53
81856	PE400.12MTR.SDR11.PE80B.PN12.5 BLACK	400	12.00		\$9,014.48
81855	PE450.12MTR.SDR11.PE80.PN12.5 BLACK	450	12.00		\$11,417.3
<i>PE80 PN12.5 SDR11 Pipe - Blue</i>					
64070	PE90.12MTR.SDR11.PE80.PN12.5 BLUE PIPE	90	12.00		\$506.10
64071	PE110.12MTR.SDR11.PE80.PN12.5 BLUE PIPE	110	12.00		\$685.15
64072	PE125.12MTR.SDR11.PE80.PN12.5 BLUE PIPE	125	12.00		\$1,033.62
64073	PE160.12MTR.SDR11.PE80.PN12.5 BLUE PIPE	160	12.00		\$1,454.88
60357	PE180.12MTR.SDR11.PE80.PN12.5 BLUE PIPE	180	12.00	130.000	\$1,828.13
64075	PE200.12MTR.SDR11.PE80.PN12.5 BLUE PIPE	200	12.00		\$2,266.74
64076	PE225.12MTR.SDR11.PE80.PN12.5 BLUE PIPE	225	12.00		\$3,142.16
64077	PE250.12MTR.SDR11.PE80.PN12.5 BLUE PIPE	250	12.00		\$4,105.50
99621	PE355.12MTR.SDR11.PE80 PN12.5 BLUE	355	12.00		\$6,706.80
<i>PE80 PN12.5 SDR11 Pipe - Blue - Per Metre</i>					
76638	PE125.1MTR.SDR11.PE80.PN12.5 BLUE PIPE	125	1.00		\$80.98
76641	PE180.1MTR.SDR11.PE80.PN12.5	180	1.00		\$167.58
81684	PE225.1MTR.SDR11.PE80.PN12.5 BLUE	225	1.00		\$261.84
<i>PE80 PN12.5 SDR11 Pipe - Blue - 50M Coils</i>					
60363	PE75.50MTR.SDR11.PE80.PN12.5 MDPE PIPE	75	50.00		POA
72170	PE125.50MTR.SDR11.PE80.PN12.5 BLUE PIPE	125	50.00		\$4,347.00
<i>PE80 PN12.5 SDR11 Pipe - Blue</i>					
60362	PE75.100MTR.SDR11.PE80.PN12.5 MDPE PIPE	75	100.00		\$3,286.82
72167	PE125.100MTR.SDR11.PE80.PN12.5 BLUE PIPE	125	100.00		\$8,694.00
72074	PE125.280MTR.SDR11.PE80.PN12.5	125	280.00		POA
72075	PE125.380MTR.SDR11.PE80.PN12.5	125	380.00		\$20,859.7
<i>PE80 PN10 SDR 13.6 Pipe - Black</i>					
64140	PE90.12MTR.SDR13.6.PE80.PN10 BLACK	90	12.00		\$372.66
64141	PE110.12MTR.SDR13.6.PE80.PN10 BLACK	110	12.00		\$559.06
64142	PE125.12MTR.SDR13.6.PE80.PN10 BLACK	125	12.00		\$720.68
64143	PE140.12MTR.SDR13.6.PE80.PN10 BLACK	140	12.00		\$902.43
64144	PE160.12MTR.SDR13.6.PE80.PN10 BLACK	160	12.00		\$1,198.30
64145	PE180.12MTR.SDR13.6.PE80.PN10 BLACK	180	12.00		\$1,520.91
64146	PE200.12MTR.SDR13.6.PE80.PN10 BLACK	200	12.00		\$1,865.21

Note:

Not all items are available at all Sales Centres.

All prices are subject to change.

All prices are ex yard. Freight to site is extra.

All sizes are nominal. For a more accurate description, please contact your local Sales Centre.

All prices are exclusive of GST.

Polyethylene Pipe MDPE

Item Code	Description	Diameter (mm)	Length (m)	Weight (kg)	Unit Price (NZD)
<i>PE80 PN10 SDR 13.6 Pipe - Black</i>					
64147	PE225.12MTR.SDR13.6.PE80.PN10 BLACK	225	12.00		\$2,368.31
64148	PE250.12MTR.SDR13.6.PE80.PN10 BLACK	250	12.00		\$2,918.56
60365	PE280.12MTR.SDR13.6.PE80.PN10 BLACK	280	12.00		\$3,655.60
64150	PE315.12MTR.SDR13.6.PE80.PN10 BLACK	315	12.00		\$4,634.43
64152	PE400.12MTR.SDR13.6.PE80.PN10 BLACK	400	12.00		\$7,450.49
64153	PE450.12MTR.SDR13.6.PE80.PN10 BLACK	450	12.00		\$9,437.08
<i>PE80 PN8 SDR 17 Pipe - Black</i>					
81556	PE90.12MTR.SDR17.PE80.PN8 BLACK	90	12.00		\$362.25
60376	PE110.12MTR.SDR17.PE80.PN8	110	12.00	50.000	\$543.38
64002	PE125.12MTR.SDR17.PE80.PN8 BLACK	125	12.00		\$700.35
81631	PE140.12MTR.SDR17.PE80.PN8	140	12.00		\$869.40
81557	PE160.12MTR.SDR17.PE80.PN8 BLACK	160	12.00	103.000	\$1,144.71
81633	PE180.12MTR.SDR17.PE80.PN8 BLACK	180	12.00	130.000	\$1,449.00
64006	PE200.12MTR.SDR17.PE80.PN8 BLACK	200	12.00		\$1,787.10
80973	PE225.12MTR.SDR17.PE80.PN8 BLACK	225	12.00	203.000	\$2,270.10
81635	PE250.12MTR.SDR17.PE80.PN8 BLACK	250	12.00	250.000	\$2,782.08
60359	PE280.12MTR.SDR17.PE80.PN8 BLACK	280	12.00		\$3,494.51
60358	PE315.12MTR.SDR17.PE80.PN8 BLACK	315	12.00		\$4,421.87
81636	PE355.12MTR.SDR17.PE80.PN8 BLACK	355	12.00		\$5,629.37
64012	PE400.12MTR.SDR17.PE80.PN8 BLACK	400	12.00		\$7,114.59
81958	PE450.12MTR.SDR17.PE80.PN8 BLACK	450	12.00		\$9,015.20
<i>PE80 PN8 SDR 17 Pipe - Black - Per Metre</i>					
81630	PE125.1MTR.SDR17.PE80.PN8 BLACK	125	1.00		\$49.16
72115	PE400.1MTR.SDR17.PE80.PN8 BLACK	400	1.00		\$506.13
60528	PE450.1MTR.SDR21.PE80.PN8 BLACK	450	1.00		\$641.27
<i>PE80B PN6.3 SDR 21 Pipe - Black</i>					
60368	PE90.12MTR.SDR21.PE80.PN6.3 BLACK	90	12.00		\$309.12
60369	PE110.12MTR.SDR21.PE80.PN6.3	110	12.00		\$463.68
81555	PE125.12MTR.SDR21.PE80.PN6.3	125	12.00		\$594.09
76707	PE160.12MTR.SDR21.PE80.PN6.3 BLACK	160	12.00		\$973.25
64014	PE180.12MTR.SDR21.PE80B.PN6.3 BLACK	180	12.00		\$1,224.41
64016	PE200.12MTR.SDR21.PE80.PN6.3 BLACK	200	12.00		\$1,516.62
64018	PE225.12MTR.SDR21.PE80.PN6.3 BLACK	225	12.00		\$1,912.68
64034	PE280.12MTR.SDR21.PE80.PN6.3 BLACK	280	12.00		\$2,958.38
64036	PE315.12MTR.SDR21.PE80.PN6.3 BLACK	315	12.00		\$3,719.10
64038	PE355.12MTR.SDR21.PE80.PN6.3 BLACK	355	12.00		\$4,721.33
64040	PE400.12MTR.SDR21.PE80.PN6.3 BLACK	400	12.00		\$6,018.18
64042	PE450.12MTR.SDR21.PE80.PN6.3 BLACK	450	12.00		\$6,205.33
<i>PE80 PN5.1 SDR 26 Pipe - Black</i>					
64020	PE90.12MTR.SDR26.PE980.PN5.1 BLACK	90	12.00		\$207.52
64021	PE110.12MTR.SDR26.PE80.PN5.1 BLACK	110	12.00		\$309.71
64022	PE125.12MTR.SDR26.PE80.PN5.1 BLACK	125	12.00		\$391.78
64023	PE140.12MTR.SDR26.PE80.PN5.1 BLACK	140	12.00		\$494.91
64024	PE160.12MTR.SDR26.PE80.PN5.1 BLACK	160	12.00		\$648.99
64025	PE180.12MTR.SDR26.PE80.PN5.1 BLACK	180	12.00		\$808.09
64026	PE200.12MTR.SDR26.PE80.PN5.1 BLACK	200	12.00		\$1,002.09
64027	PE225.12MTR.SDR26.PE80.PN5.1 BLACK	225	12.00		\$1,259.93

Note:

Not all items are available at all Sales Centres.

All prices are subject to change.

All prices are ex yard. Freight to site is extra.

All sizes are nominal. For a more accurate description, please contact your local Sales Centre.

All prices are exclusive of GST.

Polyethylene Pipe MDPE

Item Code	Description	Diameter (mm)	Length (m)	Weight (kg)	Unit Price (NZD)
<i>PE80 PN5.1 SDR 26 Pipe - Black</i>					
64028	PE250.12MTR.SDR26.PE80.PN5.1 BLACK	250	12.00		\$1,560.54
64029	PE280.12MTR.SDR26.PE80.PN5.1 BLACK	280	12.00		\$1,946.97
64030	PE315.12MTR.SDR26.PE80.PN5.1 BLACK	315	12.00		\$2,479.62
64032	PE400.12MTR.SDR26.PE80.PN5.1 BLACK	400	12.00		\$3,973.48
64033	PE450.12MTR.SDR26.PE80.PN5.1 BLACK	450	12.00		\$5,024.01

Note:

Not all items are available at all Sales Centres.

All prices are subject to change.

All prices are ex yard. Freight to site is extra.

All sizes are nominal. For a more accurate description, please contact your local Sales Centre.

All prices are exclusive of GST.

Polyethylene Pipe HDPE

Humes Pipeline Systems distributes a comprehensive range of HDPE - High Density Polyethylene Pipe solutions for applications in the roading, subdivision, municipal and rural market sectors.



Item Code	Description	Diameter (mm)	Length (m)	Weight (kg)	Unit Price (NZD)
<i>PE100 PN16 SDR11 Pipe - Blue</i>					
64085	PE20.100MTR.SDR11.PE100.PN16 HPDE BLUE	20	100.00		\$227.96
78458	PE25.100MTR.SDR11.PE100.PN16 HPPE BLUE	25	100.00		\$348.50
64087	PE32.100MTR.SDR11.PE100.PN16 HPDE BLUE	32	100.00		\$555.50
64088	PE40.100MTR.SDR11.PE100.PN16 HPPE BLUE	40	100.00		\$880.42
72136	PE50.100MTR.SDR11.PE100.PN16 HPPE	50	100.00		\$1,367.79
72149	PE63.25MTR.SDR11.PE100.PN16 BLUE PIPE	63	25.00		\$447.30
72140	PE63.50MTR.SDR11.PE100.PN16 BLUE PIPE	63	50.00		\$1,050.53
72138	PE63.100MTR.SDR11.PE100.PN16 BLUE PIPE	63	100.00		\$1,789.23
64120	PE90.12MTR.SDR11.PE100.PN16 BLUE PIPE	90	12.00		\$470.40
64121	PE110.12MTR.SDR11.PE100.PN16 BLUE	110	12.00		\$696.79
99461	PE125.12MTR.SDR11.PE100.PN16.BLUE PIPE	125	12.00		\$984.80
64123	PE160.12MTR.SDR11.PE100.PN16 HPPE BLUE	160	12.00		\$1,597.63
99462	PE180.12MTR.SDR11.PE100.PN16 BLUE PIPE	180	12.00		\$2,019.61
<i>PE100 PN16 SDR11 Pipe - Black</i>					
64125	PE63.25MTR.SDR11.PE100.PN16 BLACK/STRIPE	63	25.00		\$540.36
64126	PE63.50MTR.SDR11.PE100.PN16 BLACK/STRIPE	63	50.00		\$1,080.71
64127	PE63.100MTR.SDR11.PE100.PN16 BLACK/STRIP	63	100.00	367.000	\$2,161.43
64128	PE125.12MTR.SDR11.PE100.PN16 BLACK/STRIP	125	12.00		\$1,924.33
81200	PE180.12MTR.SDR11.PE100.PN16 HPPE	180	12.00		\$2,245.95
<i>PE100 PN12.5 SDR13.6 Pipe</i>					
64149	PE250.12MTR.SDR13.6 PE100.PN12	250			\$1,918.04
76787	PE355.12MTR.SDR13.6.PE100.PN12.5	355	12.00		\$5,873.92

Note:

Not all items are available at all Sales Centres.

All prices are subject to change.

All prices are ex yard. Freight to site is extra.

All sizes are nominal. For a more accurate description, please contact your local Sales Centre.

All prices are exclusive of GST.

StormBoss Pipe

Storm Boss is an extruded, high-technology twin wall pipe. It features a smooth internal bore and a load-defeating corrugated exterior wall and is manufactured from polypropylene, an extremely tough material with excellent and proven resistance to impact, chemical attack and abrasion. Although incredibly strong, Storm boss is also incredibly light



Item Code	Description	Diameter (mm)	Length (m)	Weight (kg)	Unit Price (NZD)
<i>StormBoss Pipe SN6</i>					
88090	STORMBOSS YEL/GR DN225X6M SN6 PP PIPE	225	6.00	18.000	\$375.47
88091	STORMBOSS YEL/GR DN300X6M SN6 PP PIPE	300	6.00	34.000	\$520.53
88092	STORMBOSS YEL/GR DN375X6M SN6 PP PIPE	375	6.00	52.000	\$819.20
88093	STORMBOSS YEL/GR DN450X6M SN6 PP PIPE	450	6.00	71.000	\$1,322.67
<i>StormBoss Pipe SN8</i>					
88100	STORMBOSS BLUE/GR DN225X6M SN8 PP PIPE	225	6.00	20.000	\$494.93
88101	STORMBOSS BLUE/GR DN300X6M SN8 PP PIPE	300	6.00	38.000	\$640.00
88102	STORMBOSS BLUE/GR DN375X6M SN8 PP PIPE	375	6.00	57.000	\$1,058.13
88103	STORMBOSS BLUE/GR DN450X6M SN8 PP PIPE	450	6.00	78.000	\$1,459.20
<i>StormBoss Pipe SN16</i>					
88110	STORMBOSS RED/GR DN225X6M SN16 PP PIPE	225	6.00	21.000	\$554.67
88111	STORMBOSS RED/GR DN300X6M SN16 PP PIPE	300	6.00	39.000	\$757.33
88112	STORMBOSS RED/GR DN375X6M SN16 PP PIPE	375	6.00	60.000	\$1,386.67
88113	STORMBOSS RED/GR DN450X6M SN16 PP PIPE	450	6.00	82.000	\$2,026.67

Note:

Not all items are available at all Sales Centres.

All prices are subject to change.

All prices are ex yard. Freight to site is extra.

All sizes are nominal. For a more accurate description, please contact your local Sales Centre.

All prices are exclusive of GST.

SewerBoss Pipe

Sewer Boss features a smooth internal bore and a load-defeating corrugated exterior wall for maximum performance characteristics. Sewer Boss pipe is manufactured from polypropylene, an extremely tough material with excellent and proven resistance to impact, corrosive chemical attack and abrasion. It will easily resist sewage contact without degradation.



Item Code	Description	Diameter (mm)	Length (m)	Weight (kg)	Unit Price (NZD)
<i>SewerBoss Pipe SN16</i>					
88050	SEWERBOSS RED/TER DN225X6M SN16 PP PIPE	225	6.00	21.000	\$693.33
88051	SEWERBOSS RED/TER DN300X6M SN16 PP PIPE	300	6.00	39.000	\$1,034.67
88052	SEWERBOSS RED/TER DN375X6M SN16 PP PIPE	375	6.00	60.000	\$1,738.67
88053	SEWERBOSS RED/TER DN450X6M SN16 PP PIPE	450	6.00	82.000	\$2,538.67
<i>SewerBoss Pipe SN20</i>					
88060	SEWERBOSS PUR/TER DN225X6M SN20 PP PIPE	225	6.00	22.000	\$874.00
88061	SEWERBOSS PUR/TER DN300X6M SN20 PP PIPE	300	6.00	41.000	\$1,301.33
88062	SEWERBOSS PUR/TER DN375X6M SN20 PP PIPE	375	6.00	63.000	\$2,186.67
88063	SEWERBOSS PUR/TER DN450X6M SN20 PP PIPE	450	6.00	86.000	\$3,178.67

Note:

Not all items are available at all Sales Centres.

All prices are subject to change.

All prices are ex yard. Freight to site is extra.

All sizes are nominal. For a more accurate description, please contact your local Sales Centre.

All prices are exclusive of GST.

BossPipe Fittings

The Bosspipe system is all about ease of use, so you will only need a few simple accessory parts. These are for use with the Storm and Sewer Boss range of twin walled polypropylene pipe.



Item Code	Description	Diameter (mm)	Length (m)	Weight (kg)	Unit Price (NZD)
<i>Rubber Rings - Storm/Sewer BossPipe</i>					
88181	BOSSPIPE RUBBER RING 225MM SN16	225			\$7.85
88180	BOSSPIPE RUBBER RING 225MM SN8	225			\$7.85
88183	BOSSPIPE RUBBER RING 300MM SN16	300			\$32.00
88182	BOSSPIPE RUBBER RING 300MM SN8	300			\$24.55
88185	BOSSPIPE RUBBER RING 375MM SN16	375			\$43.75
88184	BOSSPIPE RUBBER RING 375MM SN8	375			\$40.29
88187	BOSSPIPE RUBBER RING 450MM SN16	450			\$86.40
88186	BOSSPIPE RUBBER RING 450MM SN8	450			\$75.14
<i>Couplers - Storm/Sewer BossPipe</i>					
88200	BOSSPIPE COUPLER 225MM	225			\$83.17
88201	BOSSPIPE COUPLER 300MM	300			\$118.50
88202	BOSSPIPE COUPLER 375MM	375			\$169.37
88203	BOSSPIPE COUPLER 450MM	450			\$224.68
<i>Manhole Connectors - Extended - Storm/Sewer BossPipe</i>					
88215	BOSSPIPE M/HOLE CONNECTOR-EXTENDED 225	225			\$203.06
88216	BOSSPIPE M/HOLE CONNECTOR-EXTENDED 300	300			\$314.80
88217	BOSSPIPE M/HOLE CONNECTOR-EXTENDED 375	375			\$468.01
88218	BOSSPIPE M/HOLE CONNECTOR-EXTENDED 450	450			\$701.61
<i>Manhole Connectors - Gritted - Storm/Sewer BossPipe</i>					
88220	BOSSPIPE M/HOLE CONNECTOR-GRITTED 225MM	225			\$266.71
88221	BOSSPIPE M/HOLE CONNECTOR-GRITTED 300MM	300			\$313.47
88222	BOSSPIPE M/HOLE CONNECTOR-GRITTED 375MM	375			\$403.43
88223	BOSSPIPE M/HOLE CONNECTOR-GRITTED 450MM	450			\$516.97
<i>Manhole Connectors - Hydroseal - Storm/Sewer BossPipe</i>					
88225	BOSSPIPE M/HOLE CONNECT-HYDROSEAL 225M	225			\$67.76
88226	BOSSPIPE M/HOLE CONNECT-HYDROSEAL 300M	300			\$97.46
88227	BOSSPIPE M/HOLE CONNECT-HYDROSEAL 375M	375			\$135.01
88228	BOSSPIPE M/HOLE CONNECT-HYDROSEAL 450M	450			\$187.14
<i>Manhole Connectors - Shorts - Storm/Sewer BossPipe</i>					
88230	BOSSPIPE M/HOLE CONNECTOR - SHORT 225MM	225			\$74.16
88231	BOSSPIPE M/HOLE CONNECTOR - SHORT 300MM	300			\$96.15
88232	BOSSPIPE M/HOLE CONNECTOR - SHORT 375MM	375			\$121.60
88233	BOSSPIPE M/HOLE CONNECTOR - SHORT 450MM	450			\$150.66
<i>Hydroseal Rings - Storm/Sewer BossPipe</i>					

Note:

Not all items are available at all Sales Centres.

All prices are subject to change.

All prices are ex yard. Freight to site is extra.

All sizes are nominal. For a more accurate description, please contact your local Sales Centre.

All prices are exclusive of GST.

BossPipe Fittings

Item Code	Description	Diameter (mm)	Length (m)	Weight (kg)	Unit Price (NZD)
<i>Hydroseal Rings - Storm/Sewer BossPipe</i>					
88235	BOSSPIPE HYDROSEAL RING 225MM	225			\$26.14
88236	BOSSPIPE HYDROSEAL RING 300MM	300			\$40.91
88237	BOSSPIPE HYDROSEAL RING 375MM	375			\$56.51
88238	BOSSPIPE HYDROSEAL RING 450MM	450			\$79.62
<i>Junctions - Mainway SOE - Ring Incl In Branch Only - StormBoss Pipe</i>					
88250	BOSSPIPE JUNCTION 45*225MM 100/110 SN16	225			\$301.84
88254	BOSSPIPE JUNCTION 45*225MM 150/160 SN16	225			\$310.89
88258	BOSSPIPE JUNCTION 90*225MM 100/110 SN16	225			\$274.96
88262	BOSSPIPE JUNCTION 90*225MM 150/160 SN16	225			\$284.01
88251	BOSSPIPE JUNCTION 45*300MM 100/110 SN16	300			\$388.94
88255	BOSSPIPE JUNCTION 45*300MM 150/160 SN16	300			\$399.31
88259	BOSSPIPE JUNCTION 90*300MM 100/110 SN16	300			\$358.22
88263	BOSSPIPE JUNCTION 90*300MM 150/160 SN16	300			\$518.00
88252	BOSSPIPE JUNCTION 45*375MM 100/110 SN16	375			\$540.89
88256	BOSSPIPE JUNCTION 45*375MM 150/160 SN16	375			\$551.68
88260	BOSSPIPE JUNCTION 90*375MM 100/110 SN16	375			\$506.33
88264	BOSSPIPE JUNCTION 90*375MM 150/160 SN16	375			\$734.53
88253	BOSSPIPE JUNCTION 45*450MM 100/110 SN16	450			\$759.97
88257	BOSSPIPE JUNCTION 45*450MM 150/160 SN16	450			\$772.90
88261	BOSSPIPE JUNCTION 90*450MM 100/110 SN16	450			\$721.57
88265	BOSSPIPE JUNCTION 90*450MM 150/160 SN16	450			\$734.53
<i>Bends - SOE - Ring Not Incl - StormBoss Pipe</i>					
88280	BOSSPIPE BEND 225MM 45° SN16	225			\$276.15
88284	BOSSPIPE BEND 225MM 90° SN16	225			\$350.07
88281	BOSSPIPE BEND 300MM 45° SN16	300			\$446.57
88285	BOSSPIPE BEND 300MM 90° SN16	300			\$559.21
88282	BOSSPIPE BEND 375MM 45° SN16	375			\$744.14
88286	BOSSPIPE BEND 375MM 90° SN16	375			\$903.12
88283	BOSSPIPE BEND 450MM 45° SN16	450			\$1,132.22
88287	BOSSPIPE BEND 450MM 90° SN16	450			\$1,325.50

Note:

Not all items are available at all Sales Centres.

All prices are subject to change.

All prices are ex yard. Freight to site is extra.

All sizes are nominal. For a more accurate description, please contact your local Sales Centre.

All prices are exclusive of GST.

Polyethylene Fittings LDPE

Humes Pipeline Systems distributes a comprehensive range of polyethylene pipe fittings used for connecting Low density polyethylene pipe (LDPE) for applications in the rural market sector.



Item Code	Description	Diameter (mm)	Length (m)	Weight (kg)	Unit Price (NZD)
<i>Couplings</i>					
72180	HNS15 STRAIGHT COUPLER	15			\$4.45
72181	HNS20 STRAIGHT COUPLER	20			\$5.66
72182	HNS25 STRAIGHT COUPLER	25			\$6.84
72183	HNS32 STRAIGHT COUPLER	32			\$13.84
72184	HNS40 STRAIGHT COUPLER	40			\$18.27
72185	HNS50 STRAIGHT COUPLER	50			\$24.41
<i>Reducing Couplings</i>					
72188	HNRS20.15 REDUCING STRAIGHT	20			\$5.80
72190	HNRS25.15 REDUCING STRAIGHT	25			\$7.47
72189	HNRS25.20 REDUCING STRAIGHT	25			\$7.47
72191	HNRS32.25 REDUCING STRAIGHT	32			\$12.55
72192	HNRS40.32 REDUCING STRAIGHT	40			\$18.27
72193	HNRS50.40 REDUCING STRAIGHT	50			\$24.41
<i>Long Repair Coupling</i>					
81228	HNLS15 LONG STRAIGHT	15			\$5.91
81229	HNLS20 LONG STRAIGHT	20			\$7.55
81230	HNLS25 LONG STRAIGHT	25			\$9.05
<i>Female Couplings</i>					
72211	HNFS15 FEMALE STRAIGHT	15			\$5.01
72212	HNFS20 FEMALE STRAIGHT	20			\$5.80
72213	HNFS25 FEMALE STRAIGHT	25			\$6.84
72214	HNFS32 FEMALE STRAIGHT	32			\$12.26
72215	HNFS40 FEMALE STRAIGHT	40			\$14.55
72216	HNFS50 FEMALE STRAIGHT	50			\$18.15
<i>Reducing Female Couplings</i>					
72219	HNRFS20.15 RED FEMALE STRAIGHT	20			\$5.80
72220	HNRFS25.20 RED FEMALE STRAIGHT	25			\$7.57
72221	HNRFS32.25 RED FEMALE STRAIGHT	32			\$12.26
72222	HNRFS40.32 RED FEMALE STRAIGHT	40			\$14.55
72223	HNRFS50.40 RED FEMALE STRAIGHT	50			\$18.12
<i>Male Coupling</i>					
72196	HNMS15 MALE STRAIGHT	15			\$3.98
72197	HNMS20 MALE STRAIGHT	20			\$4.79
72198	HNMS25 MALE STRAIGHT	25			\$5.96
72199	HNMS32 MALE STRAIGHT	32			\$10.19

Note:

Not all items are available at all Sales Centres.

All prices are subject to change.

All prices are ex yard. Freight to site is extra.

All sizes are nominal. For a more accurate description, please contact your local Sales Centre.

All prices are exclusive of GST.

Polyethylene Fittings LDPE

Item Code	Description	Diameter (mm)	Length (m)	Weight (kg)	Unit Price (NZD)
<i>Male Coupling</i>					
72200	HNMS40 MALE STRAIGHT	40			\$13.43
72201	HNMS50 MALE STRAIGHT	50			\$17.98
<i>Reducing Male Coupling</i>					
72204	HNRMS15.20 RED MALE STRAIGHT	15			\$5.38
72205	HNRMS20.15 RED MALE STRAIGHT	20			\$4.92
72206	HNRMS20.25 RED MALE STRAIGHT	20			\$5.89
72207	HNRMS25.15 RED MALE STRAIGHT	25			\$5.89
72208	HNRMS25.20 RED MALE STRAIGHT	25			\$7.47
<i>Bends</i>					
72260	HNB15 BEND	15			\$9.53
72261	HNB20 BEND	20			\$13.27
72262	HNB25 BEND	25			\$14.94
72263	HNB32 BEND	32			\$20.53
72264	HNB40 BEND	40			\$27.17
72259	HNB50 BEND	50			\$38.17
<i>Female Bends</i>					
72291	HNFB15 FEMALE BEND	15			\$10.65
72292	HNFB20 FEMALE BEND	20			\$12.86
72293	HNFB25 FEMALE BEND	25			\$15.66
72294	HNFB32 FEMALE BEND	32			\$18.91
72295	HNFB40 FEMALE BEND	40			\$22.58
72296	HNFB50 FEMALE BEND	50			\$26.13
<i>Female Reducing Bends</i>					
72297	HNRFB20.15 RED FEMALE BEND	20			\$12.86
72298	HNRFB25.20 RED FEMALE BEND	25			\$15.66
72299	HNRFB32.25 RED FEMALE BEND	32			\$18.94
72300	HNRFB40.32 RED FEMALE BEND	40			\$22.61
<i>Male Bends Short</i>					
81181	HNMB20 MALE SHORT BEND	20			\$12.10
81182	HNMB25 MALE SHORT BEND	25			\$15.37
<i>Male Bends Long</i>					
72265	HNMB15 MALE BEND	15			\$9.69
72266	HNMB20 MALE BEND	20			\$11.76
72267	HNMB25 MALE BEND	25			\$15.25
72268	HNMB32 MALE BEND	32			\$17.41
<i>Reducing Male Bends</i>					
72272	HNRMB15.20 RED MALE BEND	15			\$11.76
72270	HNRMB20.15 RED MALE BEND	20			\$9.89
72273	HNRMB20.25 RED MALE BEND	20			\$14.94
72271	HNRMB25.20 RED MALE BEND	25			\$13.98
<i>Tees</i>					
72226	HNT15 TEE	15			\$8.59
72227	HNT20 TEE	20			\$10.40
72228	HNT25 TEE	25			\$13.10
72229	HNT32 TEE	32			\$21.45
72230	HNT40 TEE	40			\$32.20
72231	HNT50 TEE	50			\$46.50

Note:

Not all items are available at all Sales Centres.

All prices are subject to change.

All prices are ex yard. Freight to site is extra.

All sizes are nominal. For a more accurate description, please contact your local Sales Centre.

All prices are exclusive of GST.

Polyethylene Fittings LDPE

Item Code	Description	Diameter (mm)	Length (m)	Weight (kg)	Unit Price (NZD)
<i>Reducing Tees</i>					
72235	HNRT15.20 REDUCING TEE	15			\$10.19
72237	HNRT20.15 REDUCING TEE	20			\$10.19
72236	HNRT20.25 REDUCING TEE	20			\$13.10
72239	HNRT25.15 REDUCING TEE	25			\$13.10
72238	HNRT25.20 REDUCING TEE	25			\$13.10
72240	HNRT32.20 REDUCING TEE	32			\$20.82
72241	HNRT32.25 REDUCING TEE	32			\$22.26
72242	HNRT40.25 REDUCING TEE	40			\$31.16
72243	HNRT40.32 REDUCING TEE	40			\$33.06
72244	HNRT50.32 REDUCING TEE	50			\$45.14
72245	HNRT50.40 REDUCING TEE	50			\$46.50
<i>Female Tees</i>					
72248	HNFT15 FEMALE TEE	15			\$10.79
72249	HNFT20 FEMALE TEE	20			\$14.14
72250	HNFT25 FEMALE TEE	25			\$16.05
72251	HNFT32 FEMALE TEE	32			\$23.12
72252	HNFT40 FEMALE TEE	40			\$31.80
72253	HNFT50 FEMALE TEE	50			\$46.35
<i>Male Tees</i>					
72256	HNMT1520 MALE TEE	15			\$7.88
<i>Bracket Elbows</i>					
72276	HNBE15 BRACKET ELBOW	15			\$9.40
72277	HNBE20 BRACKET ELBOW	20			\$12.46
72278	HNBE2015 REDUCING BRACKET ELBOW	20			\$12.48
<i>Hex Plugs</i>					
72560	HNP15 HEX PLUG	15			\$1.75
72561	HNP20 HEX PLUG	20			\$2.15
72562	HNP25 HEX PLUG	25			\$2.54
72563	HNP32 HEX PLUG	32			\$2.76
72564	HNP40 HEX PLUG	40			\$4.41
72565	HNP50 HEX PLUG	50			\$15.84
<i>Threaded Hex Socket</i>					
72478	HNHS15 THREADED HEX SOCKET	15			\$2.88
72479	HNHS20 THREADED HEX SOCKET	20			\$3.56
72480	HNHS25 THREADED HEX SOCKET	25			\$3.55
72481	HNHS32 THREADED HEX SOCKET	32			\$4.15
72482	HNHS40 THREADED HEX SOCKET	40			\$5.32
72483	HNHS50 THREADED HEX SOCKET	50			\$7.12
<i>Reducing Hex Socket</i>					
76381	HNTRS25.20 THREADED RED SOCKET	25			\$2.28
76382	HNTRS32.25 THREADED RED SOCKET	32			\$3.23
76383	HNTRS40.20 THREADED RED SOCKET	40			\$4.06
76384	HNTRS40.25 THREADED RED SOCKET	40			\$4.06
76385	HNTRS40.32 THREADED RED SOCKET	40			\$4.06
76386	HNTRS50.20 THREADED RED SOCKET	50			\$5.08
76387	HNTRS50.25 THREADED RED SOCKET	50			\$5.08
76388	HNTRS50.32 THREADED RED SOCKET	50			\$5.29

Note:

Not all items are available at all Sales Centres.

All prices are subject to change.

All prices are ex yard. Freight to site is extra.

All sizes are nominal. For a more accurate description, please contact your local Sales Centre.

All prices are exclusive of GST.

Polyethylene Fittings LDPE

Item Code	Description	Diameter (mm)	Length (m)	Weight (kg)	Unit Price (NZD)
<i>Reducing Hex Socket</i>					
76389	HNTRS50.40 THREADED RED SOCKET	50			\$5.29
<i>Threaded Elbow</i>					
76996	HNSE15MM THREADED ELBOW	15			\$2.52
76997	HNSE20MM THREADED ELBOW	20			\$4.71
76998	HNSE25MM THREADED ELBOW	25			\$5.66
76999	HNSE32MM THREADED ELBOW	32			\$3.71
71978	HNSE40MM THREADED ELBOW	40			POA
<i>Threaded Male/Female Elbows</i>					
80987	HNTMFE15 THREADED M & F ELBOW	15			\$3.16
72492	HNTMFE20 THREADED M & F ELBOW	20			\$4.06
72493	HNTMFE25 THREADED M & F ELBOW	25			\$5.15
81066	HNTMFE32 THREADED M & F ELBOW	32			\$6.07
81067	HNTMFE40 THREADED M & F ELBOW	40			\$6.95
81068	HNTMFE50 THREADED M & F ELBOW	50			\$9.21
<i>Threaded Tees</i>					
77480	HNTT15 THREADED TEE	15			\$10.79
77481	HNTT20 THREADED TEE	20			\$14.14
77482	HNTT25 THREADED TEE	25			\$16.08
77483	HNTT32 THREADED TEE	32			\$23.12
77484	HNTT40 THREADED TEE	40			\$31.80
77485	HNTT50 THREADED TEE	50			\$8.76
<i>Reducing Bush</i>					
72281	HNRB20.15 REDUCING BUSH	20			\$3.27
72282	HNRB25.15 REDUCING BUSH	25			\$3.26
72283	HNRB25.20 REDUCING BUSH	25			\$3.58
72284	HNRB32.20 REDUCING BUSH	32			\$4.98
72285	HNRB32.25 REDUCING BUSH	32			\$4.98
72286	HNRB40.25 REDUCING BUSH	40			\$6.14
72287	HNRB40.32 REDUCING BUSH	40			\$6.14
72288	HNRB50.25 REDUCING BUSH	50			\$7.73
72289	HNRB50.32 REDUCING BUSH	50			\$7.64
72290	HNRB50.40 REDUCING BUSH	50			\$8.86
<i>Hex Nipples</i>					
72470	HNHN15 THREADED HEX NIPPLE	15			\$1.80
72471	HNHN20 THREADED HEX NIPPLE	20			\$1.95
72472	HNHN25 THREADED HEX NIPPLE	25			\$2.87
72473	HNHN32 THREADED HEX NIPPLE	32			\$3.15
72474	HNHN40 THREADED HEX NIPPLE	40			\$3.52
72475	HNHN50 THREADED HEX NIPPLE	50			\$4.27
<i>Reducing Hex Nipple</i>					
72174	HNRN20.15 REDUCING NIPPLE	20			\$1.68
72175	HNRN25.15 REDUCING NIPPLE	25			\$1.98
60030	HNRN32.20 REDUCING NIPPLE	32			\$2.81
72176	HNRN32.25 REDUCING NIPPLE	32			\$2.81
60031	HNRN40.20 REDUCING NIPPLE	40			\$3.44
72177	HNRN40.25 REDUCING NIPPLE	40			\$3.83
72178	HNRN40.32 REDUCING NIPPLE	40			\$4.10

Note:

Not all items are available at all Sales Centres.

All prices are subject to change.

All prices are ex yard. Freight to site is extra.

All sizes are nominal. For a more accurate description, please contact your local Sales Centre.

All prices are exclusive of GST.

Polyethylene Fittings LDPE

Item Code	Description	Diameter (mm)	Length (m)	Weight (kg)	Unit Price (NZD)
<i>Reducing Hex Nipple</i>					
72179	HNRN50.40 REDUCING NIPPLE	50			\$4.56
<i>Tank Fitting Male Black</i>					
72486	HNTF15 THREADED HEX TANK FITTING	15			\$8.45
72487	HNTF20 THREADED HEX TANK FITTING	20			\$9.32
72488	HNTF25 THREADED HEX TANK FITTING	25			\$11.12
72489	HNTF32 THREADED HEX TANK FITTING	32			\$15.96
72490	HNTF40 THREADED HEX TANK FITTING	40			\$20.93
72491	HNTF50 THREADED HEX TANK FITTING	50			\$26.70
<i>Hose Tail</i>					
81046	HNHT15 HOSE TAIL	15			\$3.02
81047	HNHT20 HOSE TAIL	20			\$3.60
81048	HNHT25 HOSE TAIL	25			\$5.15
81049	HNHT32 HOSE TAIL	32			\$7.67
81050	HNHT40 HOSE TAIL	40			\$10.09
81051	HNHT50 HOSE TAIL	50			\$11.41

Note:

Not all items are available at all Sales Centres.

All prices are subject to change.

All prices are ex yard. Freight to site is extra.

All sizes are nominal. For a more accurate description, please contact your local Sales Centre.

All prices are exclusive of GST.

Polyethylene Fittings HDPE/MDPE

Humes Pipeline Systems distributes a comprehensive range of polyethylene pipe fittings used for connecting Medium and High density polyethylene pipe (MDPE & HDPE) for applications in the roading, subdivision, municipal and rural market sectors



Item Code	Description	Diameter (mm)	Length (m)	Weight (kg)	Unit Price (NZD)
<i>610 - Joiner</i>					
61800	P610.20 PE JOINER MDPE PN.16	20			\$12.74
61801	P610.25 PE JOINER MDPE PN.16	25			\$11.39
61802	P610.32 PE JOINER MDPE PN.16	32			\$15.16
61806	P610.75 PE JOINER MDPE PN.16	75			POA
61807	P610.90 PE JOINER MDPE PN.16	90			POA
<i>617 - Male Adaptors</i>					
61809	P617.20.15 PE MALE ADAPTOR MDPE PN.16	20			\$8.82
61810	P617.25.20 PE MALE ADAPTOR MDPE PN.16	25			\$9.71
61811	P617.32.25 PE MALE ADAPTOR MDPE PN.16	32			\$16.72
61812	P617.32.32 PE MALE ADAPTOR MDPE PN.16	32			\$16.72
61813	P617.40.32 PE MALE ADAPTOR MDPE PN.16	40			\$23.21
61814	P617.50.40 PE MALE ADAPTOR MDPE PN.16	50			\$27.72
61815	P617.63.50 PE MALE ADAPTOR MDPE PN.16	63			\$50.05
61816	P617.75.63 PE MALE ADAPTOR MDPE PN.16	75			POA
61817	P617.90.75 PE MALE ADAPTOR MDPE PN.16	90			POA
<i>606 - Female Adaptors</i>					
61819	P606.20.15 PE FEMALE ADAPTOR MDPE PN.16	20			\$10.67
61820	P606.25.20 PE FEMALE ADAPTOR MDPE PN.16	25			\$12.17
61821	P606.32.25 PE FEMALE ADAPTOR MDPE PN.16	32			\$15.31
61822	P606.40.32 PE FEMALE ADAPTOR MDPE PN.16	40			\$21.07
61823	P606.50.40 PE FEMALE ADAPTOR MDPE PN.16	50			\$33.04
61824	P606.63.50 PE FEMALE ADAPTOR MDPE PN.16	63			\$56.74
61825	P606.75.63 PE FEMALE ADAPTOR MDPE PN.16	75			POA
61826	P606.90.75 PE FEMALE ADAPTOR MDPE PN.16	90			POA
<i>608 - Elbow Female Thread</i>					
61837	P608.20.15 PE ELBOW FEMALE MDPE PN.16	20			\$12.48
61838	P608.25.20 PE ELBOW FEMALE MDPE PN.16	25			\$15.16
61839	P608.32.25 PE ELBOW FEMALE MDPE PN.16	32			\$19.83
61840	P608.40.32 PE ELBOW FEMALE MDPE PN.16	40			\$29.75
61841	P608.50.40 PE ELBOW FEMALE MDPE PN.16	50			\$40.98
61842	P608.63.50 PE ELBOW FEMALE MDPE PN.16	63			\$69.58
<i>601 - Elbow 90*</i>					
61844	P601.20 PE ELBOW 90* MDPE PN.16	20			\$15.39

Note:

Not all items are available at all Sales Centres.

All prices are subject to change.

All prices are ex yard. Freight to site is extra.

All sizes are nominal. For a more accurate description, please contact your local Sales Centre.

All prices are exclusive of GST.

Polyethylene Fittings HDPE/MDPE

Item Code	Description	Diameter (mm)	Length (m)	Weight (kg)	Unit Price (NZD)
601 - Elbow 90*					
61845	P601.25 PE ELBOW 90* MDPE PN.16	25			\$17.19
61846	P601.32 PE ELBOW 90* MDPE PN.16	32			\$29.75
61847	P601.40 PE ELBOW 90* MDPE PN.16	40			\$37.92
61848	P601.50 PE ELBOW 90* MDPE PN.16	50			\$51.65
61849	P601.63 PE ELBOW 90* MDPE PN.16	63			\$64.10
61850	P601.75 PE ELBOW 90* MDPE PN.16	75			POA
61851	P601.90 PE ELBOW 90* MDPE PN.16	90			POA
602 - Elbow Male Thread					
61852	P602.20.15 PE ELBOW MALE MDPE PN.16	20			\$13.24
61853	P602.25.20 PE ELBOW MALE MDPE PN.16	25			\$13.92
61854	P602.32.25 PE ELBOW MALE MDPE PN.16	32			\$32.18
61855	P602.40.32 PE ELBOW MALE MDPE PN.16	40			\$46.10
61856	P602.50.40 PE ELBOW MALE MDPE PN.16	50			\$51.67
61857	P602.63.50 PE ELBOW MALE MDPE PN.16	63			\$71.31
630 - End Cap					
61859	P630.20 PE END CAP MDPE PN.16	20			\$12.53
61860	P630.25 PE END CAP MDPE PN.16	25			\$13.89
61861	P630.32 PE END CAP MDPE PN.16	32			\$19.33
61862	P630.40 PE END CAP MDPE PN.16	40			\$27.77
61863	P630.50 PE END CAP MDPE PN.16	50			\$43.64
61864	P630.63 PE END CAP MDPE PN.16	63			\$60.81
604 - Tee					
61868	P604.20 PE TEE MDPE PN.16	20			\$18.49
61869	P604.25 PE TEE MDPE PN.16	25			\$22.37
61870	P604.32 PE TEE MDPE PN.16	32			\$34.55
61871	P604.40 PE TEE MDPE PN.16	40			\$53.99
61872	P604.50 PE TEE MDPE PN.16	50			\$70.91
61873	P604.63 PE TEE MDPE PN.16	63			\$100.55
61874	P604.75 PE TEE MDPE PN.16	75			POA
605 - Reducing Tee					
61877	P605.25.20 PE REDUCING TEE MDPE PN.16	25			\$23.10
61878	P605.32.25 PE REDUCING TEE MDPE PN.16	32			\$39.64
61879	P605.40.32 PE REDUCING TEE MDPE PN.16	40			\$60.93
61880	P605.50.40 PE REDUCING TEE MDPE PN.16	50			\$82.61
61881	P605.63.50 PE REDUCING TEE MDPE PN.16	63			\$105.75
61882	P605.75.50 PE REDUCING TEE MDPE PN.16	75			POA
61883	P605.90.50 PE REDUCING TEE MDPE PN.16	90			POA
607 - Tee Female					
61828	P607.20.15 PE TEE FEMALE MDPE PN.16	20			\$17.58
61829	P607.25.20 PE TEE FEMALE MDPE PN.16	25			\$18.82
61830	P607.32.25 PE TEE FEMALE MDPE PN.16	32			\$29.86
61831	P607.40.32 PE TEE FEMALE MDPE PN.16	40			\$44.55
61832	P607.50.40 PE TEE FEMALE MDPE PN.16	50			\$72.70
61833	P607.63.50 PE TEE FEMALE MDPE PN.16	63			\$95.83
61834	P607.75.63 PE TEE FEMALE MDPE PN.16	75			POA
61835	P607.90.75 PE TEE FEMALE MDPE PN.16	90			POA

Note:

Not all items are available at all Sales Centres.

All prices are subject to change.

All prices are ex yard. Freight to site is extra.

All sizes are nominal. For a more accurate description, please contact your local Sales Centre.

All prices are exclusive of GST.

Electrofusion Fittings

Electrofusion is one way of joining pipe made from PE80 and PE100 polyethylene polymers. Couplers are supplied in all diameters; other fittings, elbows, tees and reducers are ex stock up to and including 250mm with larger sizes available on request, usually requiring an electrofusion machine with a 40V output. Smaller fittings 25 – 125mm are available in 12V where a special set of jumper leads connected to a car battery gives the same result.



Item Code	Description	Diameter (mm)	Length (m)	Weight (kg)	Unit Price (NZD)
Electrofusion Coupler SDR 11 PN12.5					
96078	EF20 COUPLER SDR11 PN12.5	20			\$25.36
60650	EF25 COUPLER SDR11 PN12.5	25			\$20.80
60652	EF32 COUPLER SDR11 PN12.5	32			\$22.29
96130	EF40 COUPLER SDR11 PN12.5	40			\$30.39
60651	EF50 COUPLER SDR11 PN12.5	50			\$33.46
77900	EF63 COUPLER SDR11 PN12.5	63			\$34.19
77901	EF75 COUPLER SDR11 PN12.5	75			\$46.13
77902	EF90 COUPLER SDR11 PN12.5	90			\$52.92
96000	EF110 COUPLER SDR11 PN12.5	110			\$81.76
96028	EF125 COUPLER SDR11 PN12.5	125			\$114.71
77906	EF160 COUPLER SDR11 PN12.5	160			\$150.41
96258	EF400 COUPLER SDR11 PN12.5	160			\$1,787.10
96061	EF180 COUPLER SDR11 PN12.5	180			\$156.39
77970	EF200 COUPLER SDR11 PN12.5	200			\$246.11
72104	EF225 COUPLER SDR11 PN12.5	225			\$383.99
77967	EF250 COUPLER SDR11 PN12.5	250			\$442.81
60653	EF280 COUPLER SDR11 PN12.5	280			\$636.65
72107	EF315 COUPLER SDR11 PN12.5	315			\$802.75
96127	EF355 COUPLER SDR11 PN12.5	355			\$1,227.56
96139	EF450 COUPLER SDR11 PN12.5	450			\$2,180.73
60655	EF500 COUPLER SDR11 PN12.5	500			\$2,357.64
Electrofusion Coupler SDR 11 PN16					
96397	EF63 COUPLER SDR11 PN16	63			\$35.85
96167	EF90 COUPLER SDR11 PN16	90			\$56.60
96202	EF110 COUPLER SDR11 PN16	110			\$81.02
96224	EF125 COUPLER SDR11 PN16	125			\$89.54
96247	EF160 COUPLER SDR11 PN16	160			\$151.95
96272	EF180 COUPLER SDR11 PN16	180			\$166.87
96300	EF200 COUPLER SDR11 PN16	200			\$255.23
96412	EF225 COUPLER SDR11 PN16	225			\$298.65
96330	EF250 COUPLER SDR11 PN16	250			\$435.87
96342	EF280 COUPLER SDR11 PN16	280			\$636.65
96345	EF315 COUPLER SDR11 PN16	315			\$802.75
96364	EF355 COUPLER SDR11 PN16	355			\$1,227.56
96366	EF400 COUPLER SDR11 PN16	400			\$1,318.01

Note:

Not all items are available at all Sales Centres.

All prices are subject to change.

All prices are ex yard. Freight to site is extra.

All sizes are nominal. For a more accurate description, please contact your local Sales Centre.

All prices are exclusive of GST.

Electrofusion Fittings

Item Code	Description	Diameter (mm)	Length (m)	Weight (kg)	Unit Price (NZD)
<i>Electrofusion Coupler SDR 11 PN16</i>					
96378	EF450 COUPLER SDR11 PN16	450			\$2,173.50
96393	EF500 COUPLER SDR11 PN16	500			POA
<i>Electrofusion Coupler SDR 17 PN8</i>					
96248	EF160 COUPLER SDR17 PN8	160			\$88.15
96331	EF250 COUPLER SDR17 PN8	250			\$446.78
96346	EF315 COUPLER SDR17 PN8	315			\$722.09
96365	EF355 COUPLER SDR17 PN8	355			\$881.48
96379	EF450 COUPLER SDR17 PN8	450			\$953.93
<i>Electrofusion Coupler PN12.5 - 12Volt</i>					
96096	EF25 COUPLER PN12.5 - 12 VOLT	25			\$24.15
99487	EF32 COUPLER PN12.5 - 12VOLT	32			\$29.28
81600	EF40 COUPLER - 12 VOLT BLACK	40			\$28.98
96142	EF50 COUPLER - 12 VOLT BLACK	50			\$39.85
81530	EF63 COUPLER - 12 VOLT BLACK	63			\$52.22
81529	EF90 COUPLER - 12 VOLT BLACK	90			\$80.90
81528	EF110 COUPLER SDR11 PN12.5 - 12 VOLT	110			\$94.04
81527	EF125 COUPLER - 12 VOLT BLACK	125			\$111.09
<i>Reducers</i>					
96122	EF32.20 COUPLER REDUCER SDR11	32			\$29.65
71127	EF32.25 COUPLER REDUCER SDR11	32			\$29.65
96134	EF40.32 COUPLER REDUCER SDR11	40			\$49.13
96147	EF50.32 COUPLER REDUCER SDR11	50			\$61.82
96209	EF50.40 COUPLER REDUCER SDR11	50			\$208.34
96239	EF63.32 COUPLER REDUCER SDR11	63			\$71.03
96245	EF63.40 COUPLER REDUCER SDR11	63			\$71.03
96250	EF63.50 COUPLER REDUCER SDR11	63			\$71.03
77927	EF90.63 COUPLER REDUCER SDR11	90			\$108.93
96017	EF110.90 COUPLER REDUCER SDR11	110			\$146.71
96039	EF125.63 COUPLER REDUCER SDR11	125			\$203.42
77961	EF125.90 COUPLER REDUCER SDR11	125			\$214.92
96008	EF160.110 REDUCER COUPLER SDR11	160			\$265.31
77931	EF180.125 COUPLER REDUCER SDR11	180			\$353.30
77944	EF225.160 REDUCER SDR11	225			\$1,954.94
77945	EF250.180 REDUCER SDR11	250			\$2,363.08
<i>45 Degree Elbow</i>					
96360	EF32.45 COUPLER ELBOW SDR11	32			\$58.14
96374	EF40.45 COUPLER ELBOW SDR11	40			\$67.84
96389	EF50.45 COUPLER ELBOW SDR11	50			\$84.01
96405	EF63.45 COUPLER ELBOW SDR11	63			\$96.90
77938	EF90.45 COUPLER ELBOW SDR11	90			\$143.99
77939	EF110.45 COUPLER ELBOW SDR11	110			\$242.46
77940	EF125.45 COUPLER ELBOW SDR11	125			\$278.83
77941	EF160.45 COUPLER ELBOW SDR11	160			\$529.58
77942	EF180.45 COUPLER ELBOW SDR11	180			\$615.48
<i>90 Degree Elbow</i>					
96081	EF20.90 COUPLER ELBOW SDR11 PN16	20			\$54.56
96102	EF25.90 COUPLER ELBOW SDR11	25			\$54.56

Note:

Not all items are available at all Sales Centres.

All prices are subject to change.

All prices are ex yard. Freight to site is extra.

All sizes are nominal. For a more accurate description, please contact your local Sales Centre.

All prices are exclusive of GST.

Electrofusion Fittings

Item Code	Description	Diameter (mm)	Length (m)	Weight (kg)	Unit Price (NZD)
<i>90 Degree Elbow</i>					
96126	EF32.90 COUPLER ELBOW SDR11	32			\$58.14
96138	EF40.90 COUPLER ELBOW SDR11	40			\$67.84
96152	EF50.90 COUPLER ELBOW SDR11	50			\$84.01
77919	EF63.90 COUPLER ELBOW SDR11	63			\$96.90
77920	EF90.90 COUPLER ELBOW SDR11	90			\$165.70
77921	EF110.90 COUPLER ELBOW SDR11	110			\$229.66
77922	EF125.90 COUPLER ELBOW SDR11	125			\$253.89
77923	EF160.90 COUPLER ELBOW SDR11	160			\$465.13
77924	EF180.90 COUPLER ELBOW SDR11	180			\$508.74
<i>Equal Tee</i>					
96322	EF25 EQUAL TEE SDR11	25			\$61.54
96356	EF32 EQUAL TEE SDR11	32			\$61.54
96369	EF40 EQUAL TEE SDR11	40			\$74.63
96383	EF50 EQUAL TEE SDR11	50			\$100.73
96398	EF63 EQUAL TEE SDR11	63			\$127.07
96170	EF90 EQUAL TEE SDR11	90			\$156.01
96205	EF110 EQUAL TEE SDR11	110			\$254.86
96030	EF125 EQUAL TEE SDR11	125			\$277.15
96063	EF180 EQUAL TEE SDR11	180			\$546.53
<i>End Cap</i>					
96257	EF20 END CAP SDR11	20			\$31.78
96306	EF25 END CAP SDR11	25			\$33.73
96419	EF32 END CAP SDR11	32			\$39.73
96335	EF40 END CAP SDR11	40			\$44.00
96501	EF63 END CAP SDR11	63			\$87.21
96411	EF90 END CAP SDR11	90			\$138.23
96426	EF110 END CAP SDR11	110			\$166.29
96286	EF125 END CAP SDR11	125			\$213.15
96089	EF160 END CAP SDR11	160			\$333.34
96285	EF180 END CAP SDR11	180			\$370.52
96350	EF225 END CAP SDR11	225			\$674.63
<i>Tapping Tee</i>					
96174	EF90.32 TAPPING TEE SDR11	90			\$80.70
96180	EF90.63 TAPPING TEE SDR11	90			\$220.97
96207	EF110.32 TAPPING TEE SDR11	110			\$80.70
96214	EF110.63 TAPPING TEE SDR11	110			\$220.97
96230	EF125.32 TAPPING TEE SDR11 PN16	125			\$80.70
96236	EF125.63 TAPPING TEE SDR11	125			\$220.97
96048	EF160.32 TAPPING TEE SDR11	160			\$80.70
96263	EF160.63 TAPPING TEE SDR11	160			\$220.97
96281	EF180.32 TAPPING TEE SDR11	180			\$80.70
76603	EF180.63 TAPPING TEE SDR11	180			\$285.36
96088	EF200.32 TAPPING TEE SDR11	200			\$80.70
96307	EF200.63 TAPPING TEE SDR11	200			\$220.97
96107	EF250.32 TAPPING TEE SDR11	250			\$80.70
96337	EF250.63 TAPPING TEE SDR11	250			\$220.97
96349	EF315.32 TAPPING TEE SDR11	315			\$80.70

Note:

Not all items are available at all Sales Centres.

All prices are subject to change.

All prices are ex yard. Freight to site is extra.

All sizes are nominal. For a more accurate description, please contact your local Sales Centre.

All prices are exclusive of GST.

Electrofusion Fittings

Item Code	Description	Diameter (mm)	Length (m)	Weight (kg)	Unit Price (NZD)
<i>Branching Saddles PE100 SDR11 PN16</i>					
96221	EF110.110 BRANCH SADDLE SDR11	110			\$463.58
96215	EF110.90 BRANCH SADDLE SDR11	110			\$443.61
96229	EF125.110 BRANCH SADDLE SDR11	125			\$561.84
96237	EF125.90 BRANCH SADDLE SDR11	125			\$555.05
96253	EF160.110 BRANCH SADDLE SDR11	160			\$626.77
96255	EF160.125 BRANCH SADDLE SDR11	160			\$647.12
96264	EF160.90 BRANCH SADDLE SDR11	160			\$606.32
96277	EF180.110 BRANCH SADDLE SDR11	180			\$653.12
96278	EF180.125 BRANCH SADDLE SDR11	180			\$673.56
96303	EF200.110 BRANCH SADDLE SDR11	200			\$672.99
96305	EF200.125 BRANCH SADDLE SDR11	200			\$692.75
96299	EF200.63 BRANCH SADDLE SDR11	200			\$328.50
96308	EF200.90 BRANCH SADDLE SDR11	200			\$652.44
96332	EF250.110 BRANCH SADDLE SDR11	250			\$1,028.79
96334	EF250.125 BRANCH SADDLE SDR11	250			\$1,061.39
96338	EF250.90 BRANCH SADDLE SDR11	250			\$1,001.02
96347	EF315.110 BRANCH SADDLE SDR17	315			\$676.20
<i>Branch Tapping Tees PE100 SDR11 PN16</i>					
96157	EF63.20 BRANCH TAPPING TEE SDR11	63			\$81.88
96158	EF63.25 BRANCH TAPPING TEE SDR11	63			\$81.88
96159	EF63.32 BRANCH TAPPING TEE SDR11	63			\$81.88
96403	EF63.40 BRANCH TAPPING TEE SDR11	63			\$97.87
96163	EF63.50 BRANCH TAPPING TEE SDR11	63			\$84.82
96234	EF125.63 BRANCH SADDLE SDR11	125			\$154.37
<i>Branching Saddles PE100 SDR11 PN16</i>					
96164	EF63.63 OD EF BRANCH SADDLE SDR11	63			\$106.50
96179	EF90.63 BRANCH SADDLE SDR11	90			\$106.79
96013	EF110.63 BRANCH SADDLE SDR11	110			\$125.87
96262	EF160.63 BRANCH SADDLE SDR11	160			\$234.89
96072	EF180.63 BRANCH SADDLE SDR11	180			\$266.68
96336	EF250.63 BRANCH SADDLE SDR11	250			\$384.99
96118	EF315.63 BRANCH SADDLE SDR11	315			\$543.13
<i>Transition Fittings BSP Male Thread - Spigot</i>					
96441	EF25.20 MALE TRANSITION ADAPTOR PE/BRASS	25			\$56.44
96444	EF32.25 MALE TRANSITION ADAPTOR PE/BRASS	32			\$65.12
96446	EF40.32 MALE TRANSITION ADAPTOR PE/BRASS	40			\$99.90
96434	EF50.40 MALE TRANSITION ADAPTOR PE/BRASS	50			\$78.19
96432	EF63.50 MALE TRANSITION ADAPTOR PE/BRASS	63			\$162.12
<i>Transition Fittings BSP Female Thread - Spigot</i>					
96433	EF32.25 BSP FEMALE SPIGOT TRANSITION	32			\$85.48
96437	EF40.32 BSP FEMALE SPIGOT TRANSITION	40			\$82.30
96450	EF50.40 BSP FEMALE SPIGOT TRANSITION	50			\$94.95
96435	EF63.50 BSP FEMALE SPIGOT TRANSITION	63			\$129.08
<i>Transition Fittings BSP Male Thread - Socket</i>					
96324	EF25.20 BSP MALE SOCKET TRANSITION	25			\$78.62
96438	EF32.25 BSP MALE SOCKET TRANSITION	32			\$103.74
96447	EF40.32 BSP MALE SOCKET TRANSITION	40			\$123.52

Note:

Not all items are available at all Sales Centres.

All prices are subject to change.

All prices are ex yard. Freight to site is extra.

All sizes are nominal. For a more accurate description, please contact your local Sales Centre.

All prices are exclusive of GST.

Electrofusion Fittings

Item Code	Description	Diameter (mm)	Length (m)	Weight (kg)	Unit Price (NZD)
<i>Transition Fittings BSP Male Thread - Socket</i>					
96451	EF50.40 BSP MALE SOCKET TRANSITION	50			\$125.48
96454	EF63.50 BSP MALE SOCKET TRANSITION	63			\$127.50
<i>Transition Fittings BSP Female Thread - Socket</i>					
96440	EF25.20 BSP FEMALE SOCKET TRANSITION	25			POA
96436	EF32.25 BSP FEMALE SOCKET TRANSITION	32			POA
96448	EF40.32 BSP FEMALE SOCKET TRANSITION	40			POA
96452	EF50.40 BSP FEMALE SOCKET TRANSITION	50			POA
<i>Accessories</i>					
81526	EFA12VOLT LTSADWITH TERMINALS-JUMPER LEA				\$167.58
99415	IPA ISOPROPYL CLEANING FLUID 1 LITRE				\$40.00

Note:

Not all items are available at all Sales Centres.

All prices are subject to change.

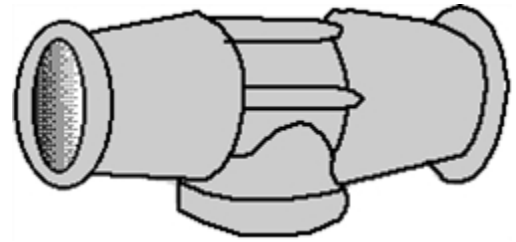
All prices are ex yard. Freight to site is extra.

All sizes are nominal. For a more accurate description, please contact your local Sales Centre.

All prices are exclusive of GST.

Polyethylene Fitting Pushlok

Humes Pipeline Systems distributes a comprehensive range of polyethylene pipe fittings used for connecting Medium and High density polyethylene pipe (MDPE & HDPE) for applications in the roading, subdivision, municipal and rural market sectors



Item Code	Description	Diameter (mm)	Length (m)	Weight (kg)	Unit Price (NZD)
TP10 - Pushlok Coupling					
77117	TP1020 20 PUSHLOK COUPLING	20			\$18.01
77118	TP1025 25 PUSHLOK COUPLING	25			\$18.15
77119	TP1032 32 PUSHLOK COUPLING	32			\$25.20
99451	TP1040 40MM PUSHLOK COUPLING	40			\$56.45
77120	TP1050 50 PUSHLOK COUPLING	50			\$56.45
77121	TP1063 63 PUSHLOK COUPLING	63			\$73.69
TP11 - Pushlok Adaptor Female					
77122	TP1120 20 PUSHLOK ADAPTOR FEMALE BSP1/2	20			\$13.31
77123	TP1125 25 PUSHLOK ADAPTOR FEMALE BSP3/4	25			\$14.58
77124	TP1132 32 PUSHLOK ADAPTOR FEMALE BSP1	32			\$18.49
99450	TP1140 40MM PUSHLOK FEMALE	40			\$39.83
77125	TP1150 50 PUSHLOK ADAPTOR FEM BSP1/1/2	50			\$39.91
77126	TP1163 63 PUSHLOK ADAPTOR FEMALE BSP2	63			\$61.97
TP12 - Pushlok Adaptor Male					
77127	TP1220 20 PUSHLOK ADAPTOR MALE BSP1/2	20			\$10.96
77128	TP1225 25 PUSHLOK ADAPTOR MALE BSP3/4	25			\$11.72
77129	TP1232 32 PUSHLOK ADAPTOR MALE BSP1	32			\$17.19
99449	TP1240 40 PUSHLOCK ADAPTOR MALE	40			\$36.65
77130	TP1250 50 PUSHLOK ADAPTOR MALE BSP1/1/2	50			\$36.65
77131	TP1263 63 PUSHLOK ADAPTOR MALE BSP2	63			\$56.40
TP13 - Pushlok Tee					
77132	TP1320 20 PUSHLOK TEE	20			\$31.97
77133	TP1325 25 PUSHLOK TEE	25			\$29.36
77134	TP1332 32 PUSHLOK TEE	32			\$53.85
77166	TP1340 40 PUSHLOCK TEE	40			POA
77135	TP1350 50 PUSHLOK TEE	50			\$112.02
77136	TP1363 63 PUSHLOK TEE	63			\$127.47
TP137 - Pushlok Reducing Tee					
77137	TP13702 25X25X20 PUSHLOK REDUCING TEE	25			\$32.31
77138	TP13706 32X32X20 PUSHLOK REDUCING TEE	32			\$45.08
77139	TP13708 32X32X25 PUSHLOK REDUCING TEE	32			\$53.85
77140	TP13722 63X63X25 PUSHLOK REDUCING TEE	63			\$183.92
77141	TP13724 63X63X32 PUSHLOK REDUCING TEE	63			\$183.92
TP138 - Pushlok Tee Female					
77142	TP13801 20X20 PUSHLOK TEE FEMALE BSP 1/2	20			\$25.56

Note:

Not all items are available at all Sales Centres.

All prices are subject to change.

All prices are ex yard. Freight to site is extra.

All sizes are nominal. For a more accurate description, please contact your local Sales Centre.

All prices are exclusive of GST.

Polyethylene Fitting Pushlok

Item Code	Description	Diameter (mm)	Length (m)	Weight (kg)	Unit Price (NZD)
<i>TP138 - Pushlok Tee Female</i>					
77143	TP13805 25X25 PUSHLOK TEE FEMALE BSP 1/2	25			\$26.65
77144	TP13807 25X25 PUSHLOK TEE FEMALE BSP 3/4	25			\$25.56
77145	TP13811 32X32 PUSHLOK TEE FEMALE BSP 1	32			\$43.87
77146	TP13854 50X50 PUSHLOK TEE FEMALE BSP 1 1/2	50			\$234.20
77147	TP13864 63X63 PUSHLOK TEE FEMALE BSP 2	63			\$313.80
<i>TP14 - Pushlok Reducing Coupling</i>					
77150	TP1403 25X20 PUSHLOK REDUCING COUPLING	25			\$18.15
77148	TP1401 32X25 PUSHLOK REDUCING COUPLING	32			\$25.34
77149	TP1402 32X20 PUSHLOK REDUCING COUPLING	32			\$25.34
77151	TP1404 50X20 PUSHLOK REDUCING COUPLING	50			\$56.45
77152	TP1405 50X25 PUSHLOK REDUCING COUPLING	50			\$56.45
77153	TP1406 63X32 PUSHLOK REDUCING COUPLING	63			\$76.17
77154	TP1407 63X25 PUSHLOK REDUCING COUPLING	63			\$76.17
<i>TP15 - Pushlok Elbow</i>					
77066	TP1520 20 PUSHLOK ELBOW	20			\$21.20
77067	TP1525 25 PUSHLOK ELBOW	25			\$22.51
77068	TP1532 32 PUSHLOK ELBOW	32			\$33.47
77069	TP1550 52 PUSHLOK ELBOW	52			\$71.43
77070	TP1563 63 PUSHLOK ELBOW	63			\$97.09
<i>TP158 - Pushlok Elbow Female</i>					
77071	TP15801 20 PUSHLOK ELBOW FEMALE BSP1/2	20			\$16.56
77072	TP15803 25 PUSHLOK ELBOW FEMALE BSP1/2	25			\$18.49
77073	TP15805 25 PUSHLOK ELBOW FEMALE BSP3/4	25			\$18.49
80581	TP15806 32 PUSHLOK ELBOW FEMALE BSP1	32			\$76.78
77074	TP15854 50 PUSHLOK ELBOW FEM BSP1 1/2	50			\$121.72
77075	TP15864 63 PUSHLOK ELBOW FEMALE BSP2	63			\$172.91
<i>TP19 - Pushlok Grippa</i>					
80502	TP1911 20 PUSHLOK GRIPPA15-21 OD	20			\$67.81
80503	TP1917 20 PUSHLOK GRIPPA21-27 OD	20			\$67.81
80504	TP1921 25 PUSHLOK GRIPPA15-21 OD	25			\$67.81
80783	TP1927 25 PUSHLOK GRIPPA21-27 OD	25			\$67.81
81145	TP1937 25 PUSHLOK GRIPPA37-34 OD	25			\$79.76

Note:

Not all items are available at all Sales Centres.

All prices are subject to change.

All prices are ex yard. Freight to site is extra.

All sizes are nominal. For a more accurate description, please contact your local Sales Centre.

All prices are exclusive of GST.

Metric PE Fittings

Humes Pipeline Systems distributes a comprehensive range of polyethylene pipe fittings used for connecting Medium and High density polyethylene pipe (MDPE & HDPE) for applications in the roading, subdivision, municipal and rural market sectors



Item Code	Description	Diameter (mm)	Length (m)	Weight (kg)	Unit Price (NZD)
MM301 - Coupler					
60547	MM301.20 JOINER (OD)	20			\$11.55
60549	MM301.25 JOINER (OD)	25			\$13.75
60552	MM301.32 JOINER (OD)	32			\$18.58
60555	MM301.40 JOINER (OD)	40			\$31.10
60559	MM301.50 JOINER (OD)	50			\$43.84
60563	MM301.63 JOINER (OD)	63			\$60.74
62300	MM301.75 JOINER (OD)	75			\$125.30
62301	MM301.90 JOINER (OD)	90			\$185.90
62302	MM301.110 JOINER (OD)	110			\$293.85
MM301S - Slip Coupler					
61129	MM301S.20 SLIP COUPLING (OD)	20			\$31.51
61130	MM301S.25 SLIP COUPLING (OD)	25			\$36.57
61131	MM301S.32 SLIP COUPLING (OD)	32			\$49.84
61132	MM301S.40 SLIP COUPLING (OD)	40			\$58.81
61133	MM301S.50 SLIP COUPLING (OD)	50			\$74.47
61134	MM301S.63 SLIP COUPLING (OD)	63			\$92.10
MM302 - Male Adaptor					
60564	MM302.20.15 MALE ADAPTOR (OD)	20			\$7.99
62306	MM302.20.25 MALE ADAPTOR (OD)	20			\$7.99
60540	MM302.25.15 MALE ADAPTOR (OD)	25			\$8.80
60565	MM302.25.20 MALE ADAPTOR (OD)	25			\$8.80
60571	MM302.25.25 MALE ADAPTOR (OD)	25			\$8.80
60590	MM302.32.20 MALE ADAPTOR (OD)	32			\$15.16
60566	MM302.32.25 MALE ADAPTOR (OD)	32			\$15.16
61608	MM302.32.32 MALE ADAPTOR (OD)	32			\$15.16
62307	MM302.32.40 MALE ADAPTOR (OD)	32			\$15.16
60586	MM302.40.25 MALE ADAPTOR (OD)	40			\$21.00
60567	MM302.40.32 MALE ADAPTOR (OD)	40			\$21.00
60573	MM302.40.40 MALE ADAPTOR (OD)	40			\$21.00
62308	MM302.40.50 MALE ADAPTOR (OD)	40			\$21.00
60568	MM302.50.40 MALE ADAPTOR (OD)	50			\$25.10
60720	MM302.50.50 MALE ADAPTOR (OD)	50			\$25.50
62309	MM302.63.40 MALE ADAPTOR (OD)	63			\$45.35
60569	MM302.63.50 MALE ADAPTOR (OD)	63			\$45.35
62310	MM302.75.50 MALE ADAPTOR (OD)	75			\$68.85

Note:

Not all items are available at all Sales Centres.

All prices are subject to change.

All prices are ex yard. Freight to site is extra.

All sizes are nominal. For a more accurate description, please contact your local Sales Centre.

All prices are exclusive of GST.

Metric PE Fittings

Item Code	Description	Diameter (mm)	Length (m)	Weight (kg)	Unit Price (NZD)
<i>MM302 - Male Adaptor</i>					
60727	MM302.75.75 MALE ADAPTOR (OD)	75			\$68.85
62312	MM302.90.75 MALE ADAPTOR (OD)	90			\$102.25
62311	MM302.110.100 MALE ADAPTOR (OD)	110			\$180.00
<i>MM303 - Female Adaptor</i>					
60615	MM303.20.15 FEMALE ADAPTOR (OD)	20			\$9.68
62315	MM303.20.20 FEMALE ADAPTOR (OD)	20			\$9.68
62316	MM303.20.25 FEMALE ADAPTOR (OD)	20			\$9.68
48315	MM303.25.15 FEMALE ADAPTOR (OD)	25			\$11.03
60616	MM303.25.20 FEMALE ADAPTOR (OD)	25			\$11.04
62317	MM303.25.25 FEMALE ADAPTOR (OD)	25			\$11.04
60617	MM303.32.25 FEMALE ADAPTOR (OD)	32			\$13.90
62318	MM303.32.32 FEMALE ADAPTOR (OD)	32			\$15.15
60618	MM303.40.32 FEMALE ADAPTOR (OD)	40			\$19.11
62319	MM303.40.40 FEMALE ADAPTOR (OD)	40			\$21.30
60619	MM303.50.40 FEMALE ADAPTOR (OD)	50			\$29.97
60611	MM303.50.50 FEMALE ADAPTOR (OD)	50			\$29.97
60620	MM303.63.50 FEMALE ADAPTOR (OD)	63			\$51.47
60535	MM303.75.50 FEMALE ADAPTOR (OD)	75			\$79.50
60608	MM303.90.75 FEMALE ADAPTOR (OD)	90			\$117.21
60628	MM303.110.100 FEMALE ADAPTOR (OD)	110			\$185.00
<i>MM304 - Reducing Joiner</i>					
60551	MM304.25.20 REDUCING JOINER (OD)	25			\$13.50
62322	MM304.32.20 REDUCING JOINER (OD)	32			\$17.92
60550	MM304.32.25 REDUCING JOINER (OD)	32			\$17.92
60558	MM304.40.32 REDUCING JOINER (OD)	40			\$31.49
62323	MM304.50.25 REDUCING JOINER (OD)	50			\$37.17
60557	MM304.50.32 REDUCING JOINER (OD)	50			\$37.17
62324	MM304.63.32 REDUCING JOINER (OD)	63			\$51.60
60561	MM304.63.40 REDUCING JOINER (OD)	63			\$51.60
60562	MM304.63.50 REDUCING JOINER (OD)	63			\$53.89
62325	MM304.90.75 REDUCING JOINER (OD)	90			\$150.96
62326	MM304.110.90 REDUCING JOINER (OD)	110			\$221.50
<i>MM305 - Tee</i>					
60570	MM305.20 TEE (OD)	20			\$16.77
60572	MM305.25 TEE (OD)	25			\$20.29
60575	MM305.32 TEE (OD)	32			\$31.33
60576	MM305.40 TEE (OD)	40			\$48.97
60578	MM305.50 TEE (OD)	50			\$64.23
60580	MM305.63 TEE (OD)	63			\$91.20
62338	MM305.75 TEE (OD)	75			\$180.00
62339	MM305.90 TEE (OD)	90			\$275.00
62340	MM305.110 TEE (OD)	110			\$395.00
<i>MM305 - Reducing Tee</i>					
62343	MM305.25.20 REDUCING TEE (OD)	25			\$20.93
48316	MM305.25.32 REDUCING TEE (OD)	25			\$20.93
48317	MM305.32.25 REDUCING TEE (OD)	32			\$35.91
60708	MM305.50.40 REDUCING TEE (OD)	50			\$74.93

Note:

Not all items are available at all Sales Centres.

All prices are subject to change.

All prices are ex yard. Freight to site is extra.

All sizes are nominal. For a more accurate description, please contact your local Sales Centre.

All prices are exclusive of GST.

Metric PE Fittings

Item Code	Description	Diameter (mm)	Length (m)	Weight (kg)	Unit Price (NZD)
<i>MM305 - Reducing Tee</i>					
60707	MM305.63.50 REDUCING TEE (OD)	63			\$95.91
<i>MM306 - Tee Female Thread</i>					
60581	MM306.20.15 TEE FEMALE THREAD (OD)	20			\$15.94
62330	MM306.20.20 TEE FEMALE THREAD (OD)	20			\$15.94
62331	MM306.25.15 TEE FEMALE THREAD (OD)	25			\$17.07
60584	MM306.25.20 TEE FEMALE THREAD (OD)	25			\$17.07
60504	MM306.25.25 TEE FEMALE THREAD (OD)	25			\$17.07
62332	MM306.32.20 TEE FEMALE THREAD (OD)	32			\$27.09
60587	MM306.32.25 TEE FEMALE THREAD (OD)	32			\$27.09
62333	MM306.32.32 TEE FEMALE THREAD (OD)	32			\$29.85
60588	MM306.40.32 TEE FEMALE THREAD (OD)	40			\$40.41
60589	MM306.40.40 TEE FEMALE THREAD (OD)	40			\$44.30
60592	MM306.50.40 TEE FEMALE THREAD (OD)	50			\$65.94
60593	MM306.50.50 TEE FEMALE THREAD (OD)	50			\$65.94
60594	MM306.63.50 TEE FEMALE THREAD (OD)	63			\$86.92
60719	MM306.75.50 TEE FEMALE THREAD (OD)	75			\$146.00
62334	MM306.90.75 TEE FEMALE THREAD (OD)	90			\$193.50
62335	MM306.110.100 TEE FEMALE THREAD (OD)	110			\$285.65
<i>MM307 - Elbow Female Thread</i>					
60601	MM307.20.15 ELBOW FEMALE THREAD (OD)	20			\$11.32
60526	MM307.20.20 ELBOW FEMALE THREAD (OD)	20			\$11.32
60605	MM307.25.15 ELBOW FEMALE THREAD (OD)	25			\$13.75
60604	MM307.25.20 ELBOW FEMALE THREAD (OD)	25			\$13.75
62345	MM307.25.25 ELBOW FEMALE THREAD (OD)	25			\$13.75
60606	MM307.32.25 ELBOW FEMALE THREAD (OD)	32			\$17.99
62346	MM307.32.32 ELBOW FEMALE THREAD (OD)	32			\$17.99
60609	MM307.40.32 ELBOW FEMALE THREAD (OD)	40			\$26.98
62347	MM307.40.40 ELBOW FEMALE THREAD (OD)	40			\$30.85
60610	MM307.50.40 ELBOW FEMALE THREAD (OD)	50			\$37.17
62348	MM307.50.50 ELBOW FEMALE THREAD (OD)	50			\$37.17
60612	MM307.63.50 ELBOW FEMALE THREAD (OD)	63			\$63.11
62349	MM307.75.50 ELBOW FEMALE THREAD (OD)	75			\$85.65
62350	MM307.90.75 ELBOW FEMALE THREAD (OD)	90			\$123.45
62351	MM307.110.100 ELBOW FEMALE THREAD (OD)	110			\$188.75
<i>MM308 - Elbow 90*</i>					
60548	MM308.20 ELBOW 90* (OD)	20			\$13.95
80394	MM308.25 ELBOW 90* (OD)	25			\$15.60
60597	MM308.32 ELBOW 90* (OD)	32			\$26.98
60598	MM308.40 ELBOW 90* (OD)	40			\$34.39
60599	MM308.50 ELBOW 90* (OD)	50			\$46.85
60600	MM308.63 ELBOW 90* (OD)	63			\$58.14
62355	MM308.75 ELBOW 90* (OD)	75			\$117.10
62356	MM308.90 ELBOW 90* (OD)	90			\$183.00
80398	MM308.110 ELBOW 90* (OD)	110			\$277.50
<i>MM309 - Elbow Male</i>					
60621	MM309.25 X 3/4 BSP ELBOW MALE	25			\$12.63
60622	MM309.32 X 1 BSP ELBOW MALE	32			\$29.19

Note:

Not all items are available at all Sales Centres.

All prices are subject to change.

All prices are ex yard. Freight to site is extra.

All sizes are nominal. For a more accurate description, please contact your local Sales Centre.

All prices are exclusive of GST.

Metric PE Fittings

Item Code	Description	Diameter (mm)	Length (m)	Weight (kg)	Unit Price (NZD)
<i>MM310 - End Cap</i>					
60541	MM310.20 END CAP (OD)	20			\$11.36
60542	MM310.25 END CAP (OD)	25			\$12.90
60543	MM310.32 END CAP (OD)	32			\$17.53
60544	MM310.40 END CAP (OD)	40			\$25.19
60545	MM310.50 END CAP (OD)	50			\$39.58
60546	MM310.63 END CAP (OD)	63			\$55.15
62359	MM310.75 END CAP (OD)	75			\$68.85
61609	MM310.90 END CAP (OD)	90			\$102.25
61604	MM310.110 END CAP (OD)	110			\$186.65
<i>MM325 - Tapping Saddle</i>					
60614	MM325.25.20 TAPPING SADDLE (OD)	25			\$26.10
60596	MM325.32.20 TAPPING SADDLE (OD)	32			\$28.45
60613	MM325.32.25 TAPPING SADDLE (OD)	32			\$28.45
60591	MM325.40.20 TAPPING SADDLE (OD)	40			\$41.70
60579	MM325.40.25 TAPPING SADDLE (OD)	40			\$40.83
60577	MM325.50.20 TAPPING SADDLE (OD)	50			\$47.20
60582	MM325.50.25 TAPPING SADDLE (OD)	50			\$47.20
60583	MM325.63.20 TAPPING SADDLE (OD)	63			\$54.83
60585	MM325.63.25 TAPPING SADDLE (OD)	63			\$54.83
60574	MM325.63.40 TAPPING SADDLE (OD)	63			\$61.11
62365	MM325.75.20 TAPPING SADDLE (OD)	75			\$79.50
60717	MM325.75.25 TAPPING SADDLE (OD)	75			\$79.50
62366	MM325.75.40 TAPPING SADDLE (OD)	75			\$86.00
62367	MM325.75.50 TAPPING SADDLE (OD)	75			\$86.00
61605	MM325.90.40 TAPPING SADDLE (OD)	90			\$92.90
62368	MM325.90.50 TAPPING SADDLE (OD)	90			\$92.90
62369	MM325.110.25 TAPPING SADDLE (OD)	110			\$104.25
62370	MM325.110.40 TAPPING SADDLE (OD)	110			\$104.25
60714	MM325.110.50 TAPPING SADDLE (OD)	110			\$104.25
<i>MM331 - Transition Coupling</i>					
60529	MM331.20.15.21 TRANSITION COUPLING (OD)	20			\$52.46
60531	MM331.20.21.27 TRANSITION COUPLING (OD)	20			\$52.46
60530	MM331.25.15.21 TRANSITION COUPLING (OD)	25			\$52.46
60532	MM331.25.21.27 TRANSITION COUPLING (OD)	25			\$52.46
60536	MM331.25.27.34 TRANSITION COUPLING (OD)	25			\$60.70
60537	MM331.32.27.34 TRANSITION COUPLING (OD)	32			\$60.70
60505	MM331.32.34.39 TRANSITION COUPLING (OD)	32			\$60.70
60506	MM331.32.39.43 TRANSITION COUPLING (OD)	32			\$88.11
60507	MM331.50.47.49 TRANSITION COUPLING (OD)	50			\$113.44
60508	MM331.63.47.49 TRANSITION COUPLING (OD)	63			\$125.97
<i>MM341 - Transition Male Connector</i>					
60510	MM341.20.15.21 TRANSITION MALE CONNECTOR	20			\$47.97
60511	MM341.20.21.27 TRANSITION MALE CONNECTOR	20			\$35.85
60512	MM341.20.27.34 TRANSITION MALE CONNECTOR	20			\$48.65
60513	MM331.63.59.61 TRANSITION MALE CONNECTOR	63			\$138.55
<i>MM334 - Transition Double Ended</i>					
60553	MM344.15.21 TRANSITION DOUBLE ENDED	15			\$75.16

Note:

Not all items are available at all Sales Centres.

All prices are subject to change.

All prices are ex yard. Freight to site is extra.

All sizes are nominal. For a more accurate description, please contact your local Sales Centre.

All prices are exclusive of GST.

Metric PE Fittings

Item Code	Description	Diameter (mm)	Length (m)	Weight (kg)	Unit Price (NZD)
<i>MM334 - Transition Double Ended</i>					
60554	MM344.21.27 TRANSITION DOUBLE ENDED	21			\$57.55
48314	MM344.27.34 TRANSITION DOUBLE ENDED	27			\$72.20
62375	MM344.34.39 TRANSITION DOUBLE ENDED	34			\$77.90
86025	MM344.39.43 TRANSITION DOUBLE ENDED	39			\$77.90
62376	MM344.47.49 TRANSITION DOUBLE ENDED	47			\$157.45
62377	MM344.59.61 TRANSITION DOUBLE ENDED	59			\$195.05
<i>MM345 - Transition Reducing Double Ended</i>					
86026	MM345.21.15 TRANSITION RED DOUBLE ENDED	21			\$61.95
86028	MM345.27.15 TRANSITION RED DOUBLE ENDED	27			\$68.25
86027	MM345.27.21 TRANSITION RED DOUBLE ENDED	27			\$65.30
86029	MM345.39.27 TRANSITION RED DOUBLE ENDED	39			\$76.90

Note:

Not all items are available at all Sales Centres.

All prices are subject to change.

All prices are ex yard. Freight to site is extra.

All sizes are nominal. For a more accurate description, please contact your local Sales Centre.

All prices are exclusive of GST.

Polyethylene Fitting Plasson

Humes Pipeline Systems distributes a comprehensive range of polyethylene pipe fittings used for connecting Medium and High density polyethylene pipe (MDPE & HDPE) for applications in the roading, subdivision, municipal and rural market sectors



Item Code	Description	Diameter (mm)	Length (m)	Weight (kg)	Unit Price (NZD)
2501 - 90 Degree Elbow					
72370	PN2501.20 MDPE ELBOW	20			\$11.24
72371	PN2501.25 MDPE ELBOW	25			\$11.59
72372	PN2501.32 MDPE ELBOW	32			\$15.82
72369	PN2501.40 MDPE ELBOW	40			\$26.28
72373	PN2501.50 MDPE ELBOW	50			\$35.75
72374	PN2501.63 MDPE ELBOW	63			\$45.02
81864	PN2501.90 MDPE ELBOW	90			\$132.31
2503 - Female Threaded Elbow					
72375	PN2503.20 MDPE TEE FEMALE BSP1/2	20			\$12.19
61600	PN2503.25 MDPE TEE FEMALE BSP1/1/4	25			\$19.55
72382	PN2503.25 MDPE TEE FEMALE BSP3/4	25			\$12.78
61601	PN2503.32 MDPE TEE FEMALE BSP1	32			\$20.72
61602	PN2503.40 MDPE TEE FEMALE BSP1/1/2	40			\$34.45
61603	PN2503.50 MDPE TEE FEMALE BSP2	50			\$50.66
72389	PN2503.63 MDPE TEE FEMALE BSP2	63			\$53.40
81035	PN2503.90 MDPE TEE FEMALE BSP 3	90			\$163.09
2504 - 90 Degree Tee					
72377	PN2504.20 MDPE TEE	20			\$15.23
72378	PN2504.25 MDPE TEE	25			\$15.52
72379	PN2504.32 MDPE TEE	32			\$25.21
72376	PN2504.40 MDPE TEE	40			\$37.41
72380	PN2504.50 MDPE TEE	50			\$52.34
72381	PN2504.63 MDPE TEE	63			\$69.68
81866	PN2504.90 MDPE TEE	90			\$188.64
2505 - Reducing Tee					
76474	PN2505.25.20 MDPE REDUCING TEE	25			\$17.51
76475	PN2505.32.25 MDPE REDUCING TEE	32			\$23.94
60021	PN2505.40.32 MDPE REDUCING TEE	40			\$36.42
76473	PN2505.50.32 MDPE REDUCING TEE	50			\$49.36
2506 - Plug Adaptor					
72384	PN2506.20 MDPE ADAPTOR FEMALE BSP	20			\$7.37
72385	PN2506.25 MDPE ADAPTOR FEMALE BSP	25			\$8.41
72386	PN2506.32 MDPE ADAPTOR FEMALE BSP	32			\$10.57
72383	PN2506.40 MDPE ADAPTOR FEMALE BSP	40			\$14.62
72387	PN2506.50 MDPE ADAPTOR FEMALE BSP	50			\$21.38

Note:

Not all items are available at all Sales Centres.

All prices are subject to change.

All prices are ex yard. Freight to site is extra.

All sizes are nominal. For a more accurate description, please contact your local Sales Centre.

All prices are exclusive of GST.

Polyethylene Fitting Plasson

Item Code	Description	Diameter (mm)	Length (m)	Weight (kg)	Unit Price (NZD)
<i>2506 - Plug Adaptor</i>					
72388	PN2506.63 MDPE ADAPTOR FEMALE BSP	63			\$39.30
81867	PN2506.75 MDPE ADAPTOR FEMALE BSP	75			\$78.66
77744	PN2506.90 MDPE ADAPTOR FEMALE BSP	90			\$88.56
<i>2507 - 90 Degree Male Threaded Elbow</i>					
72391	PN2507.20 MDPE ELBOW MALE BSP	20			\$7.00
72392	PN2507.25 MDPE ELBOW MALE BSP	25			\$9.95
72393	PN2507.32 MDPE ELBOW MALE BSP	32			\$12.59
81566	PN2507.40 MDPE ELBOW MALE BSP	40			\$23.94
72394	PN2507.50 MDPE ELBOW MALE BSP	50			\$24.33
72395	PN2507.63 MDPE ELBOW MALE BSP	63			\$37.78
<i>2508 - 90 Degree Female Threaded Elbow</i>					
72398	PN2508.20 MDPE ELBOW FEMALE BSP	20			\$8.65
72399	PN2508.25 MDPE ELBOW FEMALE BSP	25			\$10.50
72400	PN2508.32 MDPE ELBOW FEMALE BSP	32			\$12.36
81565	PN2508.40 MDPE ELBOW FEMALE BSP	40			\$20.51
72401	PN2508.50 MDPE ELBOW FEMALE BSP	50			\$28.41
72402	PN2508.63 MDPE ELBOW FEMALE BSP	63			\$48.23
<i>2510 - Coupling</i>					
72405	PN2510.20 MDPE COUPLING	20			\$8.79
72406	PN2510.25 MDPE COUPLING	25			\$10.50
72407	PN2510.32 MDPE COUPLING	32			\$13.59
72404	PN2510.40 MDPE COUPLING	40			\$22.33
72408	PN2510.50 MDPE COUPLING	50			\$33.50
72409	PN2510.63 MDPE COUPLING	63			\$46.38
81868	PN2510.75 MDPE COUPLING	75			\$104.61
77742	PN2510.90 MDPE COUPLING	90			\$128.84
72817	PN2510.110 MDPE COUPLING	110			\$285.03
<i>2513 - Male Threaded Adaptor</i>					
72412	PN2513.20 MDPE ADAPTOR MALE BSP1/2	20			\$6.12
72413	PN2513.25 MDPE ADAPTOR MALE BSP3/4	25			\$6.74
72414	PN2513.32 MDPE ADAPTOR MALE BSP1	32			\$11.59
72411	PN2513.40 MDPE ADAPTOR MALE BSP1/1/4	40			\$13.80
72415	PN2513.50 MDPE ADAPTOR MALE BSP1/1/2	50			\$19.19
72416	PN2513.63 MDPE ADAPTOR MALE BSP2	63			\$34.66
80988	PN2513.90 MDPE ADAPTOR MALE BSP3	90			\$84.34
<i>2516 - Nipple</i>					
81538	PN2516.15 MDPE NIPPLE	15			\$1.14
81539	PN2516.20 MDPE NIPPLE	20			\$1.44
81540	PN2516.32 MDPE NIPPLE	32			\$2.39
81354	PN2516.40 MDPE NIPPLE	40			\$2.88
81541	PN2516.50 MDPE NIPPLE	50			\$3.90
<i>2517 - Reducing Threaded Bush</i>					
81545	PN2517.20.15 MDPE THREADED RED BUSH	20			\$2.64
72358	PN2517.25.15 MDPE THREADED RED BUSH	25			\$2.88
72359	PN2517.25.20 MDPE THREADED RED BUSH	25			\$2.88
81546	PN2517.32.15 MDPE THREADED RED BUSH	32			\$3.68
71338	PN2517.32.25 MDPE THREADED RED BUSH	32			\$3.68

Note:

Not all items are available at all Sales Centres.

All prices are subject to change.

All prices are ex yard. Freight to site is extra.

All sizes are nominal. For a more accurate description, please contact your local Sales Centre.

All prices are exclusive of GST.

Polyethylene Fitting Plasson

Item Code	Description	Diameter (mm)	Length (m)	Weight (kg)	Unit Price (NZD)
<i>2517 - Reducing Threaded Bush</i>					
81547	PN2517.40.15 MDPE THREADED RED BUSH	40			\$3.90
77413	PN2517.40.20 MDPE THREADED RED BUSH	40			\$3.90
81548	PN2517.40.25 MDPE THREADED RED BUSH	40			\$3.90
72390	PN2517.40.32 MDPE THREADED RED BUSH	40			\$3.90
61599	PN2517.50.15 MDPE THREADED RED BUSH	50			\$6.17
77417	PN2517.50.25 MDPE THREADED RED BUSH	50			\$5.34
77418	PN2517.50.32 MDPE THREADED RED BUSH	50			\$5.34
72403	PN2517.50.40 MDPE THREADED RED BUSH	50			\$5.34
<i>2518 - Reducing Nipple</i>					
81549	PN2518.20.15 MDPE REDUCING NIPPLE	20			\$2.05
81550	PN2518.25.2 MDPE REDUCING NIPPLE	25			\$2.29
72446	PN2518.32.25 MDPE REDUCING NIPPLE	32			\$3.12
81551	PN2518.40.25 MDPE REDUCING NIPPLE	40			\$3.90
81552	PN2518.40.32 MDPE REDUCING NIPPLE	40			\$3.68
72454	PN2518.50.32 MDPE REDUCING NIPPLE	50			\$6.00
72453	PN2518.50.40 MDPE REDUCING NIPPLE	50			\$5.17
<i>2519 - Female Threaded Branch Saddle</i>					
72417	PN2519.25 X 3/4 MDPE TAPPING SADDLE	25			\$10.12
72418	PN2519.32 X 1 MDPE TAPPING SADDLE	32			\$15.13
72410	PN2519.40 X 1 MDPE TAPPING SADDLE	40			\$16.49
72422	PN2519.50 X 1 1/4 MDPE TAPPING SADDLE	50			\$17.98
72421	PN2519.50 X 1 MDPE TAPPING SADDLE	50			\$17.98
72419	PN2519.50 X 1/2 MDPE TAPPING SADDLE	50			\$17.98
72420	PN2519.50 X 3/4 MDPE TAPPING SADDLE	50			\$17.98
72426	PN2519.63 X 1 1/4 MDPE TAPPING SADDLE	63			\$27.48
72425	PN2519.63 X 1 MDPE TAPPING SADDLE	63			\$27.48
72423	PN2519.63 X 1/2 MDPE TAPPING SADDLE	63			\$27.48
72424	PN2519.63 X 3/4 MDPE TAPPING SADDLE	63			\$27.48
77743	PN2519.90 X 2 MDPE TAPPING SADDLE	90			\$46.22
<i>2523 - Reducing Coupling</i>					
72431	PN2523.32.20 MDPE REDUCING COUPLING	32			\$17.44
72432	PN2523.32.25 MDPE REDUCING COUPLING	32			\$11.80
60041	PN2523.40.25 MDPE REDUCING COUPLING	40			\$29.49
60023	PN2523.40.32 MDPE REDUCING COUPLING	40			\$20.06
72433	PN2523.50.25 MDPE REDUCING COUPLING	50			\$36.42
72436	PN2523.50.40 MDPE REDUCING COUPLING	50			\$27.42
72434	PN2523.63.25 MDPE REDUCING COUPLING	63			\$51.54
72435	PN2523.63.32 MDPE REDUCING COUPLING	63			\$51.56
72443	PN2523.63.50 MDPE REDUCING COUPLING	63			\$39.44
<i>2530 - Plug Adaptor</i>					
81096	PN2530.32 MDPE PLUG ADAPTOR	32			\$2.82
72437	PN2530.40 MDPE PLUG ADAPTOR	40			\$4.04
72438	PN2530.50 MDPE PLUG ADAPTOR	50			\$4.95
<i>2530T - Plug</i>					
81542	PN2530T.15 MDPE THREADED PLUG BSP1/2	15			\$1.04
81543	PN2530T.20 MDPE THREADED PLUG BSP3/4	20			\$1.04
81544	PN2530T.25 MDPE THREADED PLUG BSP1	25			\$1.39

Note:

Not all items are available at all Sales Centres.

All prices are subject to change.

All prices are ex yard. Freight to site is extra.

All sizes are nominal. For a more accurate description, please contact your local Sales Centre.

All prices are exclusive of GST.

Polyethylene Fitting Plasson

Item Code	Description	Diameter (mm)	Length (m)	Weight (kg)	Unit Price (NZD)
<i>2530T - Plug</i>					
81535	PN2530T.32 MDPE THREADED PLUG BSP1/1/4	32			\$1.71
81536	PN2530T.40 MDPE THREADED PLUG BSP1/1/2	40			\$2.29
81537	PN2530T.50 MDPE THREADED PLUG BSP2	50			\$2.88
<i>2531 - Blank Cap</i>					
80628	PN2531.110 BLANK CAP	110			POA
<i>2536 - Self Tapping Swivel Tee</i>					
81173	PN2536.125.25 MDPE SELF TAPPING SWIVEL TEE	125			POA
<i>2555 - Chamfering Tool</i>					
72445	PN2555.20.63 CHAMFERING TOOL	20			\$357.42
<i>2560 - O Ring</i>					
72448	PN2560.20 PLASSON MDPE O RING	20			\$0.57
72449	PN2560.25 PLASSON MDPE O RING	25			\$2.15
72450	PN2560.32 PLASSON MDPE O RING	32			\$2.15
81098	PN2560.40 PLASSON MDPE O RING	40			POA
72451	PN2560.50 PLASSON MDPE O RING	50			\$2.26
72452	PN2560.63 PLASSON MDPE O RING	63			\$3.39
<i>2565 - Grip Ring</i>					
72455	PN2565.20 PLASSON MDPE SPLIT GRIP RING	20			\$0.61
72456	PN2565.25 PLASSON MDPE SPLIT GRIP RING	25			\$0.61
72457	PN2565.32 PLASSON MDPE SPLIT GRIP RING	32			\$1.09
81097	PN2565.40 PLASSON MDPE SPLIT GRIP RING	40			POA
72458	PN2565.50 PLASSON MDPE SPLIT GRIP RING	50			\$2.85
72459	PN2565.63 PLASSON MDPE SPLIT GRIP RING	63			\$3.91
<i>Plasson Inserts</i>					
77490	PN25 PLASSON INSERT	25			\$1.86
77491	PN32 PLASSON INSERT	32			\$4.44
81099	PN40 PLASSON INSERT	40			\$4.99
77492	PN50 PLASSON INSERT	50			\$5.17
77493	PN63 PLASSON INSERT	63			\$5.89

Note:

Not all items are available at all Sales Centres.

All prices are subject to change.

All prices are ex yard. Freight to site is extra.

All sizes are nominal. For a more accurate description, please contact your local Sales Centre.

All prices are exclusive of GST.

Polyethylene Fitting Butt Weld

Humes Pipeline Systems distributes a comprehensive range of polyethylene pipe fittings used for connecting Medium and High density polyethylene pipe (MDPE & HDPE) for applications in the roading, subdivision, municipal and rural market sectors



Item Code	Description	Diameter (mm)	Length (m)	Weight (kg)	Unit Price (NZD)
<i>Spigot Elbow 90 Degree</i>					
96291	BW20.90 ELBOW SPIGOT SDR11 PE100 PN16	20			\$20.06
96316	BW25.90 ELBOW SPIGOT SDR11 PE100 PN16	25			\$20.93
96354	BW32.90 ELBOW SPIGOT SDR11 PE100 PN16	32			\$22.48
96367	BW40.90 ELBOW SPIGOT SDR11 PE100 PN16	40			\$28.58
96381	BW50.90 ELBOW SPIGOT SDR11 PE100 PN16	50			\$36.14
61632	BW90.90 SPIGOT ELBOW SDR11 PE100	90			\$88.01
61633	BW110.90 ELBOW SPIGOT SDR11 PE100 PN16	110			\$159.74
61634	BW125.90 ELBOW SPIGOT SDR11 PN12 PE80	125			\$221.91
61636	BW160.90 SPIGOT ELBOW SDR11 PE100	160			\$325.59
60631	BW180.90 ELBOW SPIGOT SDR11 PN12 PE80	180			\$368.22
96178	BW200.90 ELBOW SPIGOT SDR11 PE100 PN16	200			\$503.90
61627	BW225.90 SPIGOT ELBOW SDR11 PE100	225			\$594.01
61648	BW250.90 ELBOW SPIGOT SDR11 PE100	250			\$1,163.99
61640	BW280.90 SPIGOT ELBPW SDR11 PE100	280			\$1,941.91
61641	BW315.90 ELBOW SPIGOT SDR11 PE100	315			\$2,509.76
<i>Spigot Elbow 45 Degree</i>					
96015	BW32.45 SPIGOT ELBOW SDR11	32			\$27.13
96098	BW40.45 SPIGOT ELBOW SDR11 PE100	40			\$32.95
96388	BW50.45 ELBOW SPIGOT SDR11 PE100 PN16	50			\$36.73
61628	BW63.45 ELBOW SPIGOT SDR11 PE80 PN12	63			\$63.97
61642	BW90.45 ELBOW SPIGOT SDR11 PE80 PN12	90			\$96.42
99378	BW110.45 ELBOW SPIGOT SDR11	110			\$153.11
80416	BW125.45 ELBOW SPIGOT SDR11 PN12.5	125			\$221.91
60638	BW160.45 ELBOW SPIGOT SDR11 PE80 PN12	160			\$335.29
60646	BW180.45 ELBOW SPIGOT SDR11 PN12 PE80	180			\$370.17
96169	BW200.45 ELBOW SPIGOT SDR11	200			\$516.48
61626	BW225.45 ELBOW SPIGOT SDR1 PE80 PN12	225			\$596.91
61649	BW250.45 ELBOW SPIGOT SDR11 PE80 PN12	250			\$1,216.12
61630	BW280.45 ELBOW SPIGOT SDR11 PE80 PN12	280			\$1,813.04
61651	BW315.45 ELBOW SPIGOT SDR11 PE80 PN12	315			\$2,207.43
60645	BW355.45 ELBOW SPIGOT SDR11	355			\$2,695.60
<i>Spigot Bends 90 Degree</i>					
96404	BW90.90 BEND SPIGOT SDR11	90			\$128.39

Note:

Not all items are available at all Sales Centres.
 All prices are subject to change.
 All prices are ex yard. Freight to site is extra.
 All sizes are nominal. For a more accurate description, please contact your local Sales Centre.
 All prices are exclusive of GST.

Polyethylene Fitting Butt Weld

Item Code	Description	Diameter (mm)	Length (m)	Weight (kg)	Unit Price (NZD)
<i>Spigot Bends 90 Degree</i>					
96410	BW110.90 BEND SPIGOT SDR11	110			\$157.74
96414	BW125.90 BEND SPIGOT SDR11	125			\$201.76
96415	BW160.90 BEND SPIGOT SDR11	160			\$464.05
96418	BW180.90 BEND SPIGOT SDR11	180			\$504.40
96423	BW200.90 BEND SPIGOT SDR11	200			\$535.58
96424	BW225.90 BEND SPIGOT SDR11	225			\$640.13
96425	BW250.90 BEND SPIGOT SDR11	250			\$966.62
96427	BW280.90 BEND SPIGOT SDR11	280			\$1,252.76
96428	BW315.90 BEND SPIGOT SDR11	315			\$1,878.21
<i>Spigot Equal Tees</i>					
96079	BW20 SPIGOT EQUAL TEE SDR11	20			\$22.19
96315	BW25 EQUAL TEE SPIGOT SDR11	25			\$25.39
96121	BW32 EQUAL TEE SPIGOT SDR11	32			\$29.65
96131	BW40 EQUAL TEE SPIGOT SDR11	40			\$34.88
96146	BW50 SPIGOT EQUAL TEE SDR11	50			\$46.90
61680	BW63 SPIGOT EQUAL TEE SDR11	63			\$59.10
61682	BW90 SPIGOT EQUAL TEE SDR11	90			\$139.53
61683	BW110 SPIGOT EQUAL TEE SDR11	110			\$198.65
61684	BW125 SPIGOT EQUAL TEE SDR11	125			\$271.33
61685	BW160 SPIGOT EQUAL TEE SDR11	160			\$476.75
61686	BW180 SPIGOT EQUAL TEE SDR11	180			\$678.31
61687	BW200 SPIGOT EQUAL TEE SDR11	200			\$976.77
61688	BW225 SPIGOT EQUAL TEE SDR11	225			\$1,153.14
61689	BW250 SPIGOT EQUAL TEE SDR11	250			\$1,990.37
96200	BW280 EQUAL TEE SPIGOT SDR11	280			\$2,513.64
96201	BW315 EQUAL TEE SPIGOT SDR11	315			\$3,662.89
<i>Spigot Reducing Tees</i>					
96208	BW63.50 REDUCING TEE SPIGOT SDR11 PE100	63			\$81.10
96211	BW90.63 REDUCING TEE SPIGOT SDR11 PE100	90			\$178.59
96213	BW110.63 REDUCING TEE SPIGOT SDR11 PE100	110			\$261.73
96216	BW110.90 REDUCING TEE SPIGOT SDR11 PE100	110			\$313.96
96218	BW125.110 REDUCING TEE SPIGOT SDR11PE100	125			\$344.97
96217	BW125.90 REDUCING TEE SPIGOT SDR11	125			\$326.49
96220	BW160.110 REDUCING TEE SPIGOT SDR11PE100	160			\$719.02
96222	BW160.125 REDUCING TEE SPIGOT SDR11	160			\$680.48
96219	BW160.90 REDUCING TEE SPIGOT SDR11 PE100	160			\$701.57
96223	BW180.125 REDUCING TEE SPIGOT SDR11	180			\$913.43
96225	BW180.160 REDUCING TEE SPIGOT SDR11PE100	180			\$986.46
96290	BW200.160 REDUCING TEE SPIGOT SDR11	200			\$1,137.20
96293	BW250.160 REDUCING TEE SPIGOT SDR11	250			\$1,742.49
96294	BW250.180 REDUCING TEE SPIGOT SDR11	250			\$1,788.34
96295	BW315.110 REDUCING TEE SPIGOT SDR11PE100	315			\$2,697.17
96296	BW315.160 REDUCING TEE SPIGOT SDR11PE100	315			\$2,697.17
96297	BW315.250 REDUCING TEE SPIGOT SDR11PE100	315			\$2,868.59
<i>Spigot Reducer</i>					
96460	BW63.32 REDUCER SDR11 PE100 PN16	63			\$34.79

Note:

Not all items are available at all Sales Centres.

All prices are subject to change.

All prices are ex yard. Freight to site is extra.

All sizes are nominal. For a more accurate description, please contact your local Sales Centre.

All prices are exclusive of GST.

Polyethylene Fitting Butt Weld

Item Code	Description	Diameter (mm)	Length (m)	Weight (kg)	Unit Price (NZD)
<i>Spigot Reducer</i>					
77925	BW63.40 SPIGOT REDUCER SDR11 PE100	63			\$34.79
61667	BW75.63 REDUCER SDR11 PE100 PN16	75			\$54.45
60642	BW90.63 REDUCER SDR11 PE100	90			\$87.21
61669	BW125.63 REDUCER SDR11 PE100 PN16	125			\$137.60
60643	BW125.90 REDUCER SDR11 PE100 PN16	125			\$137.60
61672	BW180.125 REDUCER SDR11 PE100 PN16	180			\$306.21
<i>Spigot End Cap</i>					
96443	BW25 END CAP SDR11	25			\$17.35
96445	BW32 END CAP SDR11	32			\$21.17
96449	BW40 END CAP SDR11	40			\$27.24
96453	BW50 END CAP SDR11	50			\$34.79
61658	BW63 END CAP SDR11	63			\$40.23
61660	BW110 END CAP SDR11	110			\$125.98
61661	BW125 END CAP SDR11	125			\$143.42
61662	BW160 END CAP SDR11	160			\$189.92
61663	BW180 END CAP SDR11	180			\$257.76
61664	BW250 END CAP SDR11	250			\$554.27
61665	BW315 END CAP SDR11	315			\$1,048.49
<i>Stub Flanges - PE80 SDR11 PN12.5</i>					
77954	BW63 STUB FLANGE PE80 SDR11	63			\$33.59
77956	BW90 STUB FLANGE PE80 SDR11	90			\$53.83
77957	BW110 STUB FLANGE PE80 SDR11	110			\$69.77
77958	BW125 STUB FLANGE SDR11	125			\$86.45
96053	BW160 STUB FLANGE PE80 SDR11	160			\$115.73
77960	BW180 STUB FLANGE SDR11	180			\$186.05
61652	BW200 STUB FLANGE PE80 SDR11	200			\$207.94
78147	BW225 STUB FLANGE SDR11	225			\$227.34
61653	BW250 STUB FLANGE SDR11	250			\$412.81
60636	BW280 STUB FLANGE SDR11	280			\$550.40
<i>Stub Flanges - PE100 SDR11 PN16</i>					
61611	BW20 STUB FLANGE PE100 SDR11	20			\$16.47
61612	BW25 STUB FLANGE PE100 SDR11	25			\$16.96
77910	BW32 STUB FLANGE PE100 SDR11	32			\$19.28
77916	BW40 STUB FLANGE PE100 SDR11	40			\$23.36
77917	BW50 STUB FLANGE PE100 SDR11	50			\$30.23
77932	BW63 STUB FLANGE PE100 SDR11	63			\$36.82
96004	BW75 STUB FLANGE PE100 SDR11	75			\$44.48
96007	BW90 STUB FLANGE PE100 SDR11	90			\$58.54
96016	BW110 STUB FLANGE PE100 SDR11	110			\$73.65
96026	BW125 STUB FLANGE PE100 SDR11	125			\$86.45
96041	BW140 STUB FLANGE PE100 SDR11	140			\$114.15
96104	BW160 STUB FLANGE PE100 SDR11	160			\$128.88
96054	BW180 STUB FLANGE PE100 SDR11	180			\$197.68
96065	BW200 STUB FLANGE PE100 SDR11	200			\$231.60
96066	BW225 STUB FLANGE PE100 SDR11	225			\$244.19
96075	BW250 STUB FLANGE PE100 SDR11	250			\$436.07

Note:

Not all items are available at all Sales Centres.

All prices are subject to change.

All prices are ex yard. Freight to site is extra.

All sizes are nominal. For a more accurate description, please contact your local Sales Centre.

All prices are exclusive of GST.

Polyethylene Fitting Butt Weld

Item Code	Description	Diameter (mm)	Length (m)	Weight (kg)	Unit Price (NZD)
<i>Stub Flanges - PE100 SDR11 PN16</i>					
96085	BW280 STUB FLANGE PE100 SDR11	280			\$581.42
96087	BW315 STUB FLANGE PE100 SDR11	315			\$728.70
96090	BW355 STUB FLANGE PE100 SDR11	355			\$1,440.60
96106	BW400 STUB FLANGE PE100 SDR11	400			\$2,219.06
96108	BW450 STUB FLANGE PE100 SDR11	450			\$0.40
<i>End Cap - SDR17</i>					
61692	BW90 END CAP SDR17	90			\$91.71
61693	BW110 END CAP SDR17	110			\$156.98
61694	BW125 END CAP SDR17	125			\$181.13
61695	BW160 END CAP SDR17	160			\$236.67
61696	BW180 END CAP SDR17	180			\$277.73
61697	BW200 END CAP SDR17	200			\$398.48
61698	BW225 END CAP SDR17	225			\$470.93
61699	BW250 END CAP SDR17	250			\$712.43
61676	BW280 END CAP SDR17	280			\$953.93
61677	BW315 END CAP SDR17	315			\$1,267.88
<i>Elbow 90 Degree SDR17</i>					
96429	BW90.90 ELBOW SPIGOT SDR17	90			\$83.34
99489	BW110.90 ELBOW SPIGOT SDR17	110			\$155.04
99471	BW125.90 ELBOW SPIGOT SDR17	125			\$195.75
99375	BW160.90 ELBOW SPIGOT SDR17	160			\$286.83
96289	BW180.90 ELBOW SPIGOT SDR17	180			\$323.66
96091	BW200.90 SPIGOT ELBOW SDR17	200			\$441.87
96095	BW225.90 SPIGOT ELBOW SDR17	225			\$532.97
96111	BW250.90 SPIGOT ELBOW SDR17	250			\$1,011.65
61629	BW280.90 ELBOW SPIGOT SDR17	280			\$1,550.43
60634	BW315.90 ELBOW SPIGOT SDR17	315			\$1,924.48
<i>Elbow 45 Degree SDR17</i>					
96422	BW90.45 ELBOW SPIGOT SDR17	90			\$83.34
96210	BW110.45 ELBOW SPIGOT SDR17	110			\$155.04
61644	BW125.45 ELBOW SPIGOT SDR17	125			\$195.75
60630	BW180.45 ELBOW SPIGOT SDR17	180			\$323.66
96329	BW200.45 ELBOW SPIGOT SDR17	200			\$518.02
96313	BW225.45 ELBOW SPIGOT SDR17	225			\$532.97
96112	BW280.45 SPIGOT ELBOW SDR17	280			\$2,021.36
96259	BW315.45 ELBOW SPIGOT SDR17	315			\$1,924.48
<i>Bend 45 Degree SDR17</i>					
96420	BW90.45 BEND SPIGOT SDR17	90			\$119.23
96357	BW110.45 BEND SPIGOT SDR17	110			\$154.08
96380	BW125.45 BEND SPIGOT SDR17	125			\$183.42
96386	BW160.45 BEND SPIGOT SDR17	160			\$320.99
96392	BW180.45 BEND SPIGOT SDR17	180			\$376.01
96395	BW200.45 BEND SPIGOT SDR17	200			\$421.87
96396	BW225.45 BEND SPIGOT SDR17	225			\$513.58
96399	BW250.45 BEND SPIGOT SDR17	250			\$898.76

Note:

Not all items are available at all Sales Centres.

All prices are subject to change.

All prices are ex yard. Freight to site is extra.

All sizes are nominal. For a more accurate description, please contact your local Sales Centre.

All prices are exclusive of GST.

Polyethylene Fitting Butt Weld

Item Code	Description	Diameter (mm)	Length (m)	Weight (kg)	Unit Price (NZD)
<i>Bend 90 Degree SDR17</i>					
96400	BW90.90 BEND SPIGOT SDR17	90			\$119.23
96401	BW110.90 BEND SPIGOT SDR17	110			\$154.08
96430	BW125.90 BEND SPIGOT SDR17	125			\$183.42
96144	BW160.90 SPIGOT BEND SDR17	160			\$320.99
96148	BW180.90 BEND SPIGOT SDR17	180			\$397.30
96156	BW200.90 BEND SPIGOT SDR17	200			\$421.87
96160	BW225.90 BEND SPIGOT SDR17	225			\$513.58
96162	BW250.90 BEND SPIGOT SDR17	250			\$898.76
<i>Equal Tee SDR17</i>					
96171	BW90 EQUAL TEE SPIGOT SDR17	90			\$116.29
96461	BW110 EQUAL TEE SPIGOT SDR17	110			\$165.70
96031	BW125 SPIGOT EQUAL TEE SDR17	125			\$233.53
96002	BW160 SPIGOT EQUAL TEE SDR17	160			\$408.93
96462	BW200 EQUAL TEE SPIGOT SDR17	200			\$821.73
96463	BW225 EQUAL TEE SPIGOT SDR17	225			\$976.77
96464	BW250 EQUAL TEE SPIGOT SDR17	250			\$1,388.60
96465	BW280 EQUAL TEE SPIGOT SDR17	280			\$2,090.17
96466	BW315 EQUAL TEE SPIGOT SDR17	315			\$2,668.68
<i>Reducing Tee SDR17</i>					
96206	BW90.63 REDUCING TEE SPIGOT SDR17	90			\$158.92
96226	BW110.63 REDUCING TEE SPIGOT SDR17	110			\$232.56
77930	BW125.110 SPIGOT REDUCING TEE SDR17	125			\$321.71
96249	BW160.110 REDUCING TEE SPIGOT SDR17	160			\$658.94
96251	BW180.90 REDUCING TEE SPIGOT SDR17	180			\$876.96
96275	BW225.180 REDUCING TEE SPIGOT SDR17	225			\$1,498.11
96416	BW315.225 REDUCING TEE SPIGOT SDR17	315			\$2,591.16
<i>Reducing Y Junction SDR17</i>					
99493	BW160.110.45 JUNCTION SDR17	160			\$118.30
<i>Reducer SDR17</i>					
96640	BW90.63 REDUCER SPIGOT SDR17	90			\$71.72
96641	BW110.63 REDUCER SPIGOT SDR17	110			\$94.97
96642	BW110.90 REDUCER SPIGOT SDR17	110			\$105.05
96644	BW125.110 REDUCER SPIGOT SDR17	125			\$112.40
96643	BW125.90 REDUCERS SPIGOT SDR17	125			\$112.40
96645	BW160.110 REDUCER SPIGOT SDR17	160			\$219.01
96646	BW180.125 REDUCER SPIGOT SDR17	180			\$236.44
96647	BW180.160 REDUCER SPIGOT SDR17	180			\$271.69
96648	BW200.160 REDUCER SPIGOT SDR17	200			\$320.74
96649	BW225.180 REDUCER SPIGOT SDR17	225			\$506.80
96650	BW315.225 REDUCER SPIGOT SDR17	315			\$908.94
<i>Stub Flange SDR17</i>					
96655	BW90 STUB FLANGE SDR17	90			\$54.26
99488	BW110 STUB FLANGE SDR17	110			\$66.86
99490	BW125 STUB FLANGE SDR17	125			\$81.40
77959	BW160 STUB FLANGE LONG LEG SDR17	160			\$151.44
77972	BW160 STUB FLANGE SDR17	160			\$118.23

Note:

Not all items are available at all Sales Centres.

All prices are subject to change.

All prices are ex yard. Freight to site is extra.

All sizes are nominal. For a more accurate description, please contact your local Sales Centre.

All prices are exclusive of GST.

Polyethylene Fitting Butt Weld

Item Code	Description	Diameter (mm)	Length (m)	Weight (kg)	Unit Price (NZD)
<i>Stub Flange SDR17</i>					
77966	BW180 STUB FLANGE SDR17	180			\$184.12
77976	BW200 STUB FLANGE SDR17	200			\$211.25
78148	BW225 STUB FLANGE SDR17	225			\$228.69
77980	BW250 STUB FLANGE SDR17	250			\$329.47
99656	BW280 STUB FLANGE SDR17	280			\$494.20
99501	BW315 STUB FLANGE SDR17	315			\$658.94
61690	BW400 STUB FLANGE SDR17	400			\$2,064.02
<i>Hydrant Tees</i>					
61618	BW125 HYDRANT TEE PE100	125			\$825.80
61619	BW180 HYDRANT TEE PE100	180			\$813.41
<i>Spigot Elbow - Others</i>					
60649	BW32.90 ELBOW SPIGOT	32			\$46.59
80943	BW125.11 ELBOW	125			\$95.56
80414	BW125.22 ELBOW	125			\$155.48
60647	BW180.11 ELBOW	180			\$228.88
80569	BW180.22 ELBOW	180			\$244.90
61647	BW250.45 ELBOW SPIGOT	250			\$1,029.11
<i>Backing Rings Galvanised - Table D</i>					
60361	BW90D BACKING RING TABLE D GALVANISED	90			\$65.21
75203	BW110D BACKING RING - TABLE D GALVANISED	110			\$77.28
60632	BW125D.12 BACKING RING TABLE D GALV	125			\$71.72
60637	BW125D.16 BACKING RING TABLE D GALVANISE	125			\$81.83
75201	BW160D BACKING RING TABLE D GALVANISED	160			\$72.53
60633	BW180D.12 BACKING RING TABLE D GALVANISE	180			\$87.21
60644	BW250D BACKING RING TABLE D GALVANISED	250			\$293.42
60635	BW280D BACKING RING TABLE D GALVANISED	280			\$293.42
61631	BW315D BACKING RING TABLE D GALVANISED	315			\$335.69
61615	BW355D BACKING RING TABLE D GALVANISED	355			\$436.54
61637	BW400D BACKING RING TABLE D GALVANISED	400			\$577.77
61621	BW450D BACKING RING TABLE D GALVANISED	450			\$825.38
<i>Backing Rings Galvanised - Table E</i>					
60130	BW63E BACKING RING TABLE E GALVANISED	63			\$43.61
99657	BW90E BACKING RING TABLE E GALVANISED	90			\$50.39
99507	BW110E BACKING RING TABLE E GALVANISED	110			\$60.08
96109	BW125E BACKING RING TABLE E GALVANISED	125			\$75.59
96246	BW160E BACKING RING TABLE E GALVANISED	160			\$85.27
96212	BW180E BACKING RING TABLE E GALVANISED	180			\$89.15
96625	BW200E BACKING RING TABLE E GALVANISED	200			\$129.85
96626	BW225E BACKING RING TABLE E GALVANISED	225			\$129.85
96627	BW250E BACKING RING TABLE E GALVANISED	250			\$234.51
96628	BW280E BACKING RING TABLE E GALVANISED	280			\$234.51
96629	BW315E BACKING RING TABLE E GALVANISED	315			\$267.45
96630	BW355E BACKING RING TABLE E GALVANISED	355			\$517.46
96631	BW400E BACKING RING TABLE E GALVANISED	400			\$701.57
96632	BW450E BACKING RING TABLE E GALVANISED	450			\$843.73

Note:

Not all items are available at all Sales Centres.

All prices are subject to change.

All prices are ex yard. Freight to site is extra.

All sizes are nominal. For a more accurate description, please contact your local Sales Centre.

All prices are exclusive of GST.

Polyethylene Fitting Butt Weld

Item Code	Description	Diameter (mm)	Length (m)	Weight (kg)	Unit Price (NZD)
<i>Backing Rings Nylon Coated - Table D</i>					
606328	BW125DNY.12 BACKING RING TABLE D NYLON	125			\$79.77
606338	BW180DNY.12 BACKING RING TABLE D NYLON	180			\$133.54
<i>Backing Rings Nylon Coated - Table E</i>					
601308	BW63E BACKING RING TABLE E NYLON	63			\$58.14
996578	BW90E BACKING RING TABLE E NYLON	90			\$65.90
995078	BW110E BACKING RING TABLE E NYLON	110			\$75.59
961098	BW125E BACKING RING TABLE E NYLON	125			\$91.10
962468	BW160E BACKING RING TABLE E NYLON	160			\$100.78
962128	BW180E BACKING RING TABLE E NYLON	180			\$104.65
966258	BW200E BACKING RING TABLE E NYLON	200			\$138.15
966268	BW225E BACKING RING TABLE E NYLON	225			\$138.15
966278	BW250E BACKING RING TABLE E NYLON	250			\$255.73
966288	BW280E BACKING RING TABLE E NYLON	280			\$255.73
966298	BW315E BACKING RING TABLE E NYLON	315			\$276.21
966308	BW355E BACKING RING TABLE E NYLON	355			\$531.92
966318	BW400E BACKING RING TABLE E NYLON	400			\$715.33
966328	BW450E BACKING RING TABLE E NYLON	450			\$880.41

Note:

Not all items are available at all Sales Centres.

All prices are subject to change.

All prices are ex yard. Freight to site is extra.

All sizes are nominal. For a more accurate description, please contact your local Sales Centre.

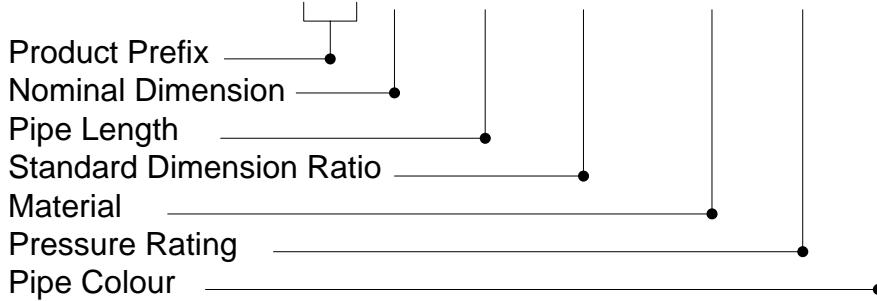
All prices are exclusive of GST.

Humes Polyethylene Product Description Guide



PE Pipe :

Prod Desc: PE 125 12MTR SDR11 PE80 PN10 BLACK



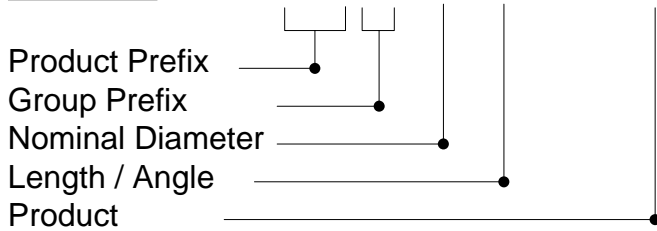
PRODUCT PREFIXES: **

P300	Agpipe MDPE
P360	Redline MDPE
P370	Greenline MDPE
P400	Drainflo
P500	Draincoil
P550	Culvert Pipe
P1200	MDPE Pressure Pipe
P2200	MDPE Effluent Pipe
P2500	MDPE Pressure Blueline
P6000	MDPE Rural Pipe

** Note: Brand names used in Item Descriptions are indicative only and may be supplied by alternative manufacturer

PE Fittings :

Prod Desc: HN RT 25 20 REDUCING TEE



PREFIXES:

AG	Agfit
AN	Anka MDPE
CF	Camlok
HN	Hansen MDPE
MM	Marley Metric
PN	Plasson
TP	Pushlok

PIPE JOINTS:

BW	Butt Weld
EF	Electrofusion