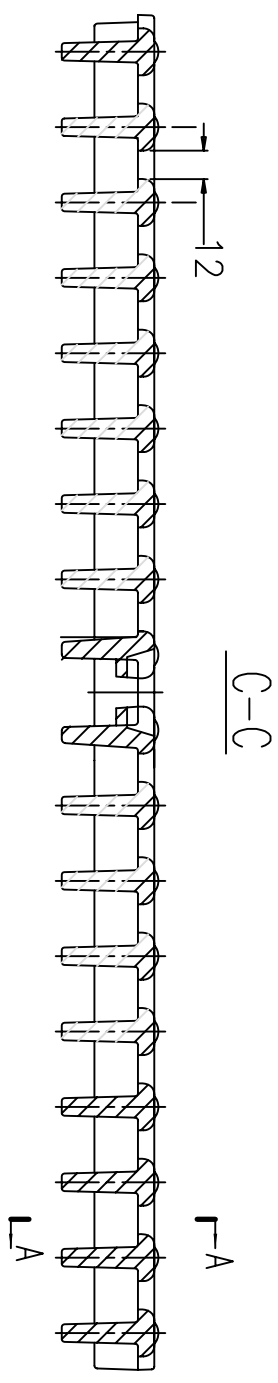
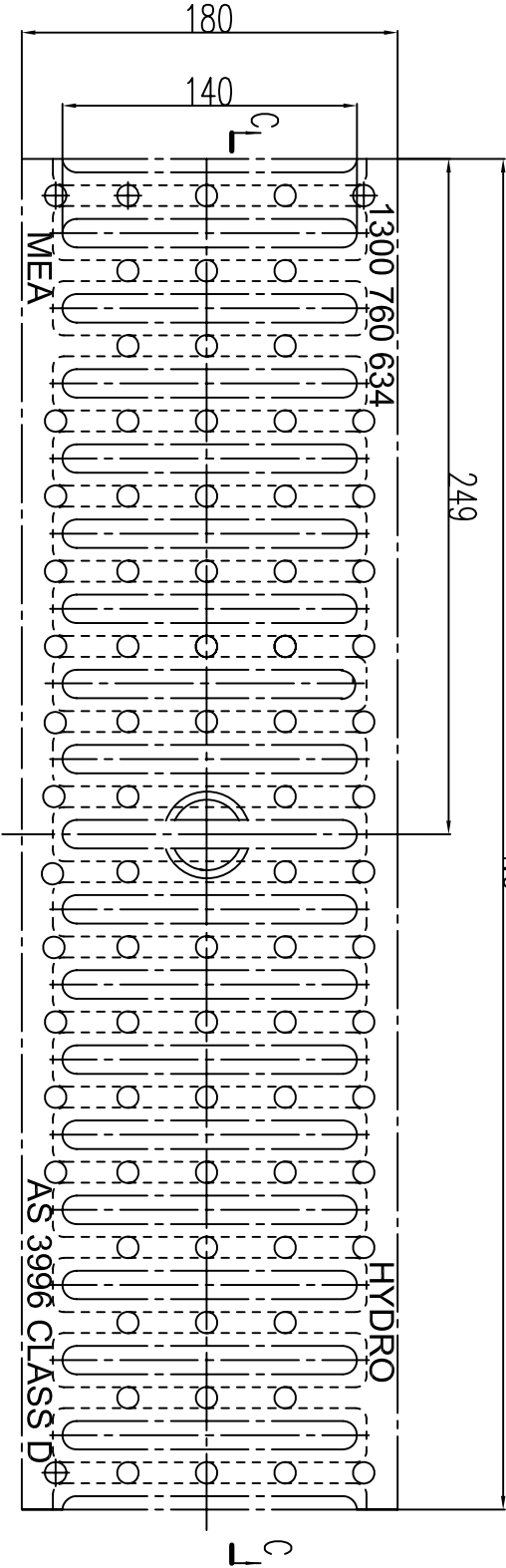
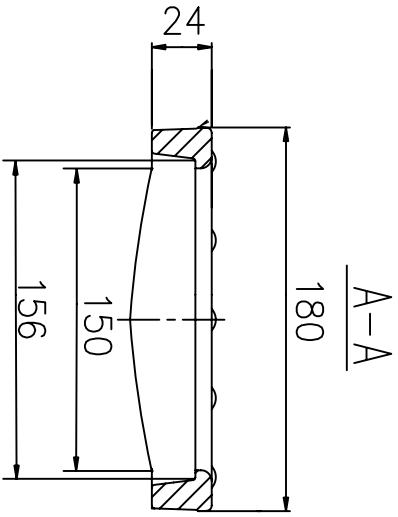


# DATA SHEET



498<sup>+1.5</sup>  
-1.0



NOTE:  
COLOUR: MATT-BLACK



Title		160 Ductile Iron Grate-0.5m		
Date	01/08/2008	Drawer	BG	Revision
Weight	Drawing No.		AS 3996	A
	143940		CLASS D210KN	