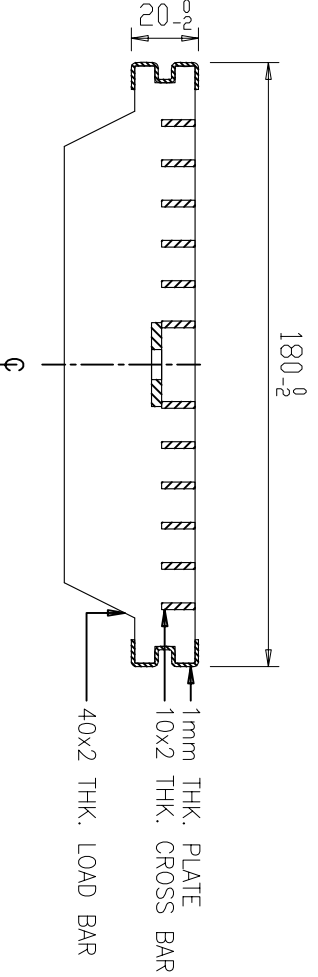
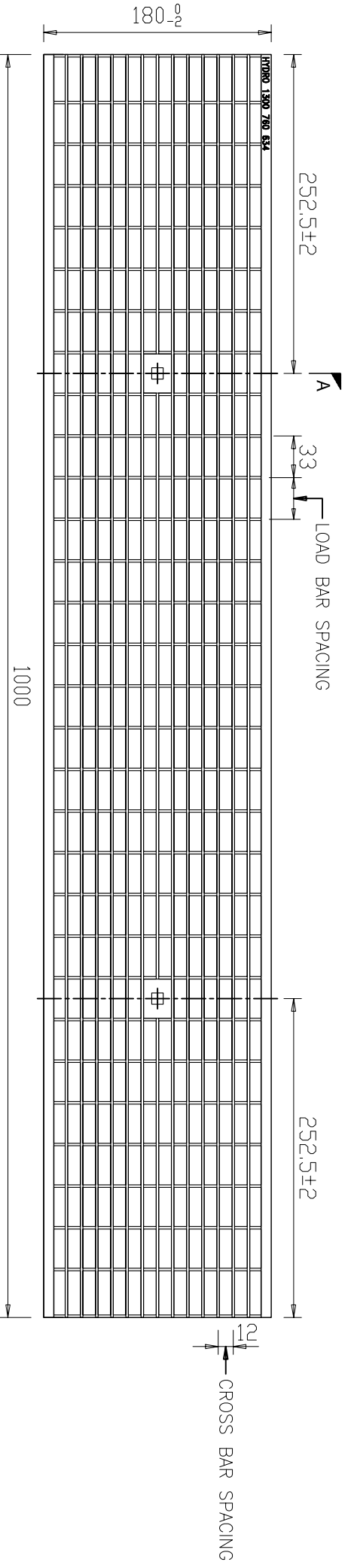
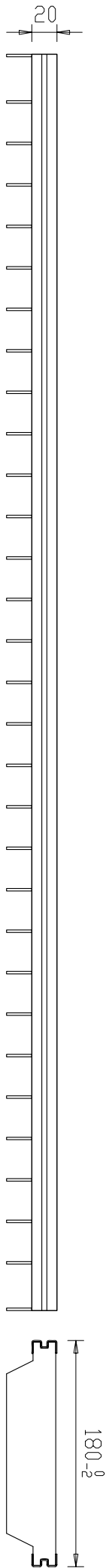


# DATA SHEET



SECTION A-A

**NOTE:**

1. ALL DIMENSIONS ARE MILLIMETRES UNLESS NOTED OTHERWISE.
2. MATERIALS SHALL BE OF BS 4360 GRADE 43 OR SIMILAR EQUIVALENT.
3. SURFACE SHALL BE COATED WITH HOT DIP GALVANISED TO BS 729.

SUPPLIER		HYDRO INTERNATIONAL				TEL: 03 9360 3434	
DRAWN		YL	CHECKED	WK	OLD REF.	CCP/MDG/17L	FAX: 03 9360 3400
DWG. NO.	143925		TITLE		C250 H/D GAL. MESH GRATE		REV.
						2010-08-19	1