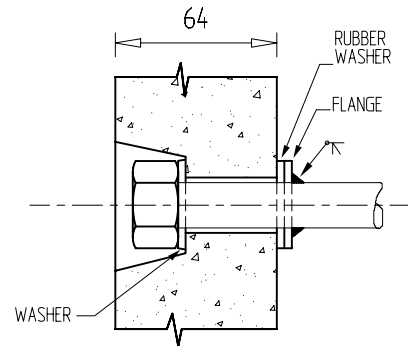


TYPES OF JOINT CROSS SECTIONS



RING CONNECTION DETAIL

SPECIFICATIONS

1. MANUFACTURE IN ACCORDANCE WITH NZS3109:1987 (PRECAST UNITS).
2. SURFACE FINISHES TO NZS 3114:1987.
FORMED SURFACES - F4
TROWELLED SURFACES - U2
3. CONCRETE STRENGTH : a. $f'c = 40\text{MPa}$ (Min)
b. STRIPPING STRENGTH (Min) = 15MPa .



Humes Pipeline Systems
Private Bag 92817
Auckland
Freephone 0800 502 112
www.humes.co.nz

MANHOLE

Drawn by SAVINDER	Date 03/02/2004
Checked	Scale A4 1 : 17
BPCS Customer Order No.	
Drawing no.	Rev. No.