

Anchor legs for Series 57/55 gate valves DN 100 & 150 only

**Use:**

Anchoring DN100 and DN150 Socket Valves

Note: Sold as a kit with 2 legs including fasteners.

**Materials:**

Ductile Iron

500-7 to AS1831

Fasteners

A4 stainless steel

Coating

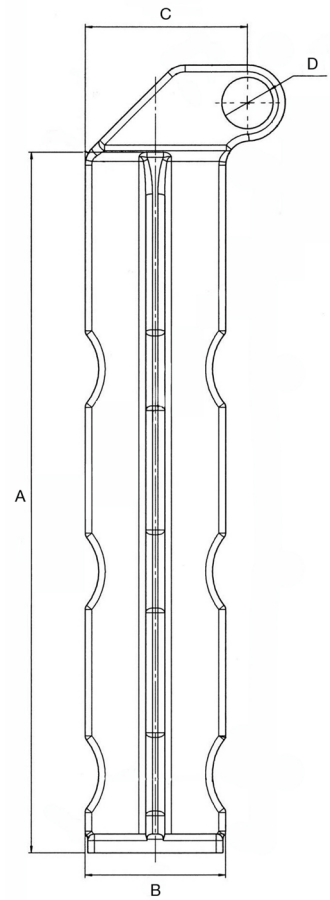
Electrostatically applied epoxy resin to AS4158

**Dimensions:**

Height: 280mm

Width: 52mm square

Weight: 1.6kg per leg



Ref. no.	A mm	B mm	C mm	D mm	Weight kg
570001121	260	52	60	19	1.6

AVK Australia's website contains the latest product information and data sheets.

Designs, materials and specifications shown are subject to change without notice due to our continuing program of product development.



AVK Australia Pty Ltd  
 559A Grand Junction Road, Wingfield, SA 5013 Australia  
 Tel: +61 8 8368 0900  
 Fax: +61 8 8368 0970  
 E-mail: info@avkvalves.com.au  
 www.avkvalves.com.au  
 Copyright© AVK Group A/S 2011

3N57ALBQ  
 July 2011