

# StormBoss™

## Stormwater drainage piping solutions



While StormBoss™ can take care of virtually any gravity and low pressure stormwater application, its technical superiority means it can be used for a huge range of end-use applications including: stormwater drainage pipelines – residential, commercial and recreation, highway drainage, road culverts, pipeline rehabilitation, ventilation ducts, conduits, landfills and industrial applications.

StormBoss™, part of the outstanding Bosspipe™ range, is an extruded, high-technology twin wall polypropylene pipe. It features a smooth internal bore and a load-defeating corrugated exterior wall.

### Features:

- UV Resistant
- High strength to weight ratio
- Super smooth inner wall lining
- Range of sizes
- Range of SN rated products

### Benefits:

- Excellent resistance to impact, chemical attack and abrasion
- Easy to handle and transport
- Excellent flow characteristics
- Can be installed in a wide variety of soil types and depths
- Fast and easy to install
- Pipe will not become brittle over time



### Structural design

StormBoss™ pipe is classified as flexible. The structural design procedure for buried flexible pipelines is given in AS/NZS 2566.1 and its supplement. StormBoss™ SN8 minimum stiffness is 8000 N/m/m.

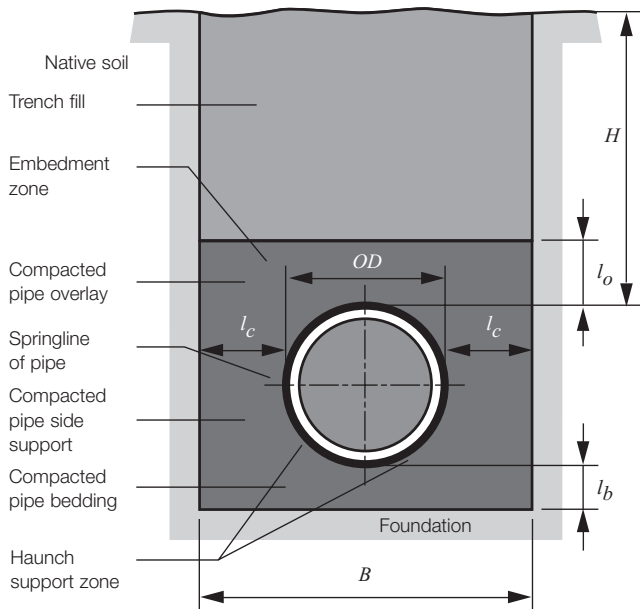
StormBoss™ 



### Installation

You'll find all installation requirements for buried flexible pipelines are given in AS/NZS 2566.2. For general guidelines the trench should be excavated to a bed width ensuring sufficient clearance ( $l_c$ ) between the pipe and trench walls. Recommended trench width is detailed in the table below or can be downloaded from the Waters & Farr website at [www.watersandfarr.co.nz](http://www.watersandfarr.co.nz)

| Nominal pipe diameter (ID) | Minimum trench width (B) |
|----------------------------|--------------------------|
| 225mm                      | 0.56m                    |
| 300mm                      | 0.75m                    |
| 375mm                      | 0.84m                    |
| 450mm                      | 1.13m                    |



Typical embedment geometry is based on requirements of AS/NZS 2566.1:1998. The recommended minimum thickness of compacted bedding ( $l_b$ ) and compacted overlay ( $l_o$ ). Side compaction ( $l_c$ ) should be in layers of not more than 150mm.

| Loading conditions  | Min cover (H), m |
|---|------------------|
| StormBoss™ installed under areas not subject to traffic or heaving loading        | 0.30             |
| StormBoss™ installed under areas zoned for agriculture use                        | 0.60             |
| StormBoss™ installed under areas subject to vehicular loading -                   |                  |
| (a) no carriageway:   | 0.45             |
| (b) sealed carriageways; and  | 0.60             |
| (c) unsealed carriageways   | 0.75             |
| StormBoss™ installed under embankments or subject to construction equipment loads | 0.75             |

Buyers and users of the products described in this brochure must make their own assessment of the suitability and appropriateness of the products for their particular use and the conditions in which they will be used. All queries regarding product suitability, purpose or installation should be directed to the nearest Humes Sales Centre for service and assistance. © Fletcher Concrete and Infrastructure Limited 2008. Printed 02/08.

The manufacturer advises that the **maximum cover (H)** will vary with soil type and traffic loads. **In firm clay soil it is not recommended that StormBoss™ be installed at a depth greater than 6 metres without approval of the engineer.**

### StormBoss™ product range

StormBoss™ is available in a range of commonly used internal diameter sizes:

| Nominal internal diameter (ID) | Weight (per length) | Colour (stripe/bore) |
|--------------------------------|---------------------|----------------------|
| <b>SN6*</b>                    |                     |                      |
| 225mm x 6m                     | 16kg                | Yellow/Grey          |
| 300mm x 6m                     | 31kg                | Yellow/Grey          |
| 375mm x 6m                     | 46kg                | Yellow/Grey          |
| 450mm x 6m                     | 69kg                | Yellow/Grey          |
| <b>SN8</b>                     |                     |                      |
| 225mm x 6m                     | 17kg                | Blue/Grey            |
| 300mm x 6m                     | 32kg                | Blue/Grey            |
| 375mm x 6m                     | 50kg                | Blue/Grey            |
| 450mm x 6m                     | 72kg                | Blue/Grey            |
| <b>SN16</b>                    |                     |                      |
| 225mm x 6m                     | 27kg                | Red/Grey             |
| 300mm x 6m                     | 39kg                | Red/Grey             |
| 375mm x 6m                     | 60kg                | Red/Grey             |
| 450mm x 6m                     | 85kg                | Red/Grey             |

\*Not available from stock - need to place an order.

The StormBoss™ system is all about ease of use, which is why you'll only need a combination of the following accessory parts:

- Rubber rings
- Manhole connectors
- Couplers
- Lubricant
- Reducers
- Junctions
- Bends
- Tees

All available from Humes Pipeline Systems.

### Quality compliance

StormBoss™ is manufactured in New Zealand by Waters & Farr and complies to AS/NZS 5065:2005.

