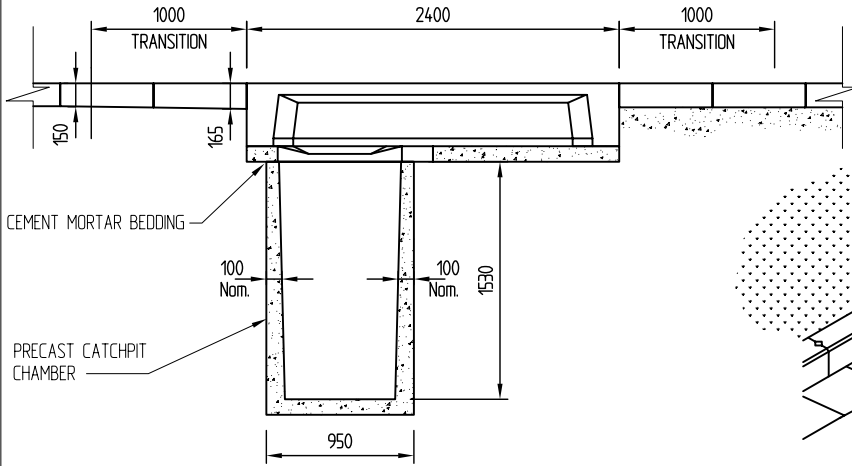
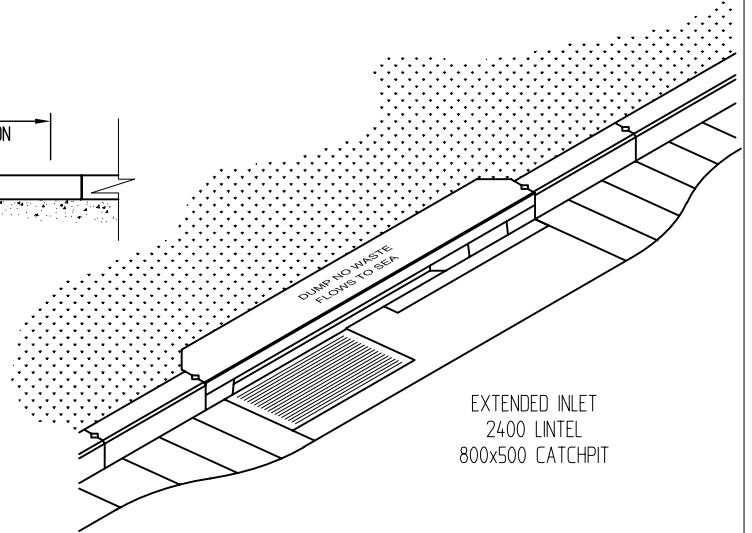


NOTES

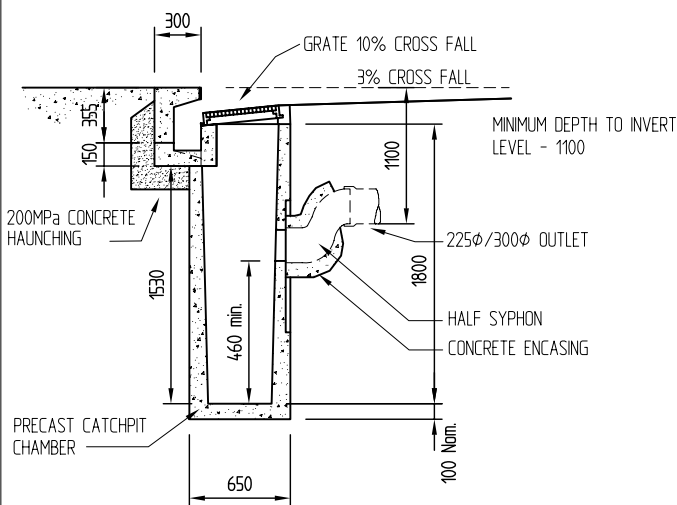
1. Concrete to 25MPa
2. Catchpit to be 1.8m deep
3. Half syphon to be used in all cases
4. Grates shall be max Q 800x500
5. Transition - Kerb height changes from 150 to 165
6. Capacity of $\phi 225$ syphon outlet, limit to 50L/sec
7. precast units A and B with lintel can be retrofitted to existing catchpit



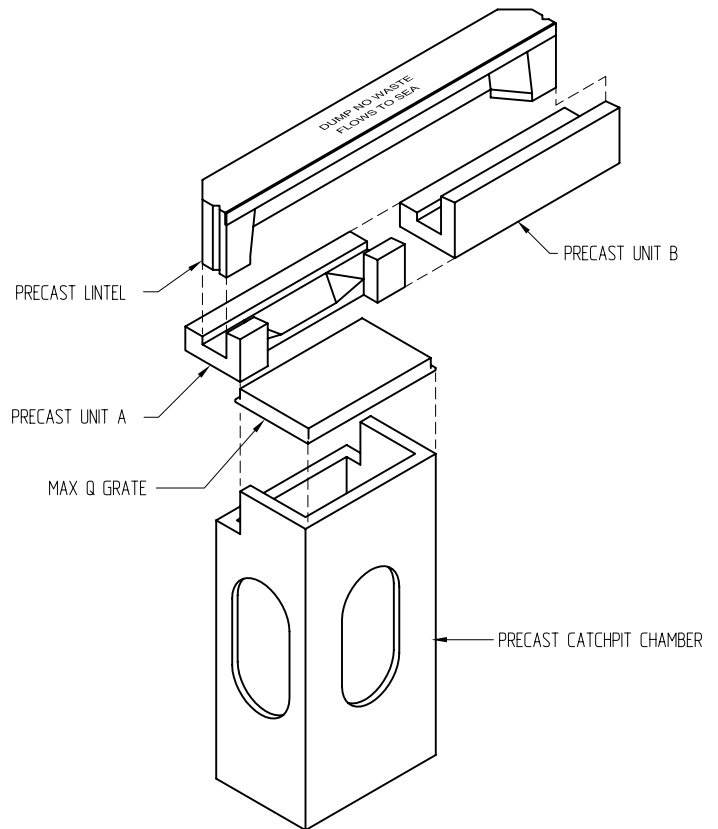
SECTION A-A



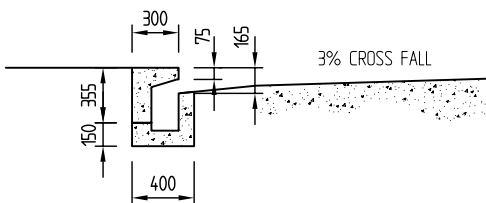
EXTENDED INLET
2400 LINTEL
800x500 CATCHPIT



SECTION B-B



NOTE: When retrofitting unit A to existing, trim back existing catchpit as above. Place unit A centrally over back of catchpit on concrete bedding.



SECTION C-C



Humes Pipeline Systems
Private Bag 92817
Auckland
Freephone 0800 502 112
www.humes.co.nz

HUMES MAX PIT
GENERAL ASSEMBLY DRAWING

Drawn by	ELI	Date	12-08-06
Checked	Chris Thorpe	Scale	A4 1:50
Reference No.			
Drawing no.	SC/GAD/01	Rev. No.	0