

Concentric butterfly valve, double flanged, loose liner, PN 16 to AS 4795
Face to face dimensions: AS 4795 PN 16 (ISO 5752 Series 20)
Drilled to AS 4087 fig. B5. / AS 2129 table D.

Use:

For water and neutral liquid applications
 Valve designed for use up to 70°C
 Where applicable; for AS 4020 compliance, max temp = 40°C
 Note: Always observe pipe material recommended operating temperatures

Test:

Hydraulic test to AS 4795.
 Seat: 17.6 bar (1.1 x AOP)
 Body: 24 bar (1.5 x AOP)
 Disc: 24 bar (1.5 x AOP)

Actuation:

Lever: DN80 to DN150
 Gearbox: DN80 to DN500
 Bare stem: DN80 to DN500

Materials: (valve)

Body	Ductile iron to AS 1831
Coating	Fusion bonded epoxy resin to AS/NZS 4158 - internally and externally
Top flange	ISO 5211
Disc	Stainless steel 316
Stem	Stainless steel 316
Bush	Alum bronze
Liner	EPDM rubber - AS/NZ 4020 approved
Pin bolt	Stainless steel 316
O-ring	NBR rubber
Washer	Stainless steel 316
Circlip	Stainless steel 316

Materials: (operator)

Lever	Stainless steel 316
Gearbox	Rotork ABW series



AVK Australia's website contains the latest product information and data sheets.

Designs, materials and specifications shown are subject to change without notice due to our continuing program of product development.



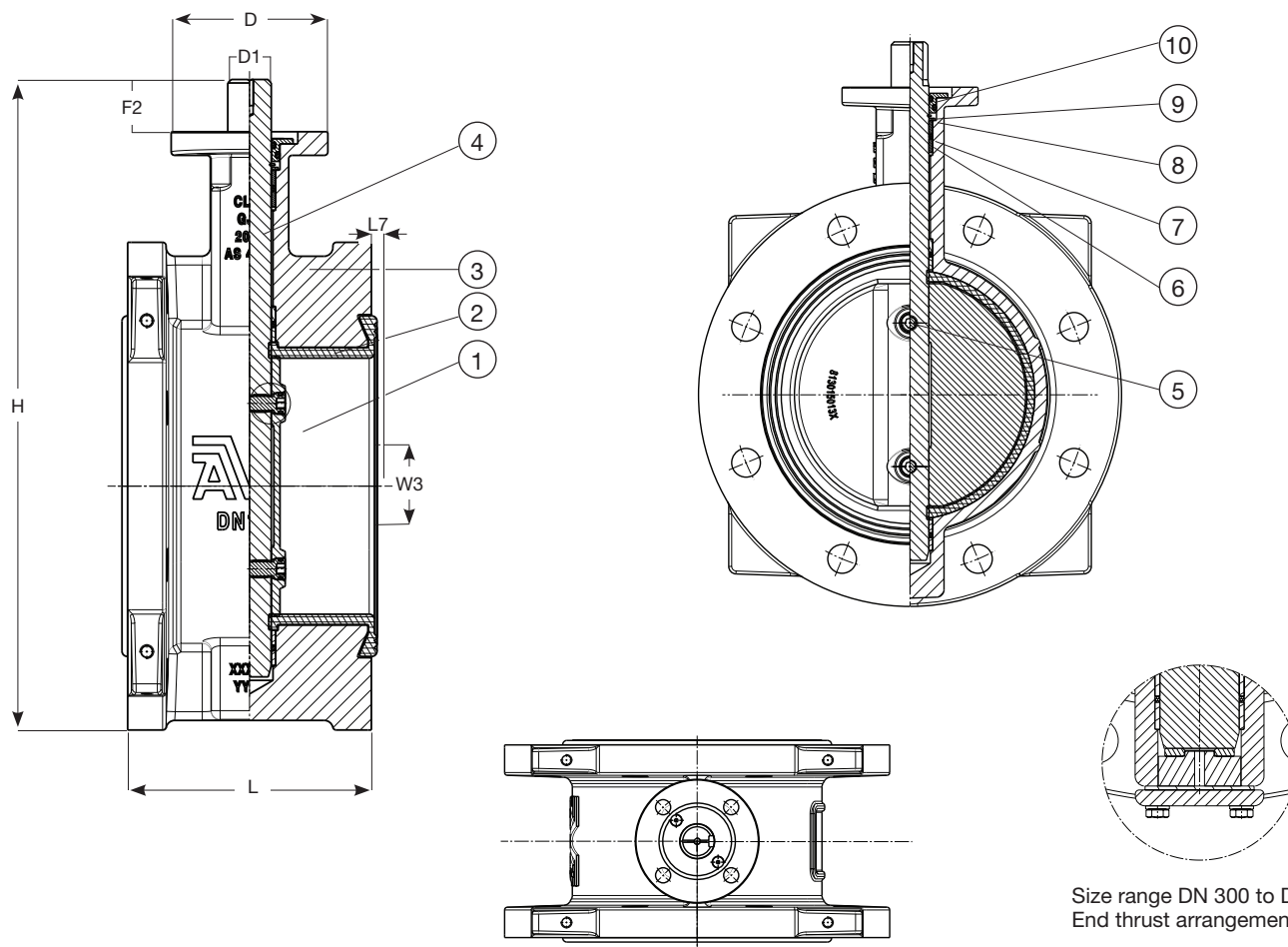
AVK Australia Pty Ltd
 559A Grand Junction Road, Wingfield, SA 5013 Australia
 Tel: +61 8 8368 0900
 Fax: +61 8 8368 0970
 E-mail: info@avkvalves.com.au
 www.avkvalves.com.au
 Copyright© AVK Group A/S 2010

3N81382GQ
 November 2010

Concentric butterfly valve, double flanged, loose liner, PN 16 to AS 4795
 Face to face dimensions: AS 4795 PN 16 (ISO 5752 Series 20)
 Drilled to AS 4087 fig. B5 / AS 2129 table D.

Component list

- | | | | |
|----------|-------------|------------|----------------------|
| 1. Disc | 4. Stem | 7. O-ring | 10. Stem sealing box |
| 2. Liner | 5. Pin bolt | 8. Bushing | |
| 3. Body | 6. Bushing | 9. Circlip | |



Size range DN 300 to DN 500
 End thrust arrangement

AVK ref	DN	L	H	F2	D1	Top flange ISO 5211	D	W3	L7	Weight (kg)	Operator (kg)
813-0080-82451201	80	114	286	34	15	F07	90	-	-	10.55	(2.2)*
813-0100-82451201	100	127	323	34	15	F07	90	-	-	13.0	(2.2)*
813-0150-82451202	150	140	375	34	25	F07	90	51	8	22.1	3.5*/**
813-0200-82451202	200	152	447	44	25	F10	125	129	26	35.0	3.5**
813-0250-82451202	250	165	519	44	35	F10	125	188	45	48.9	8.5**
813-0300-82451202	300	178	604	54	35	F12	175	242	63	74.3	8.5**
813-0350-82451202	350	190	695	64	45	F14	210	298	84	98	14.0**
813-0400-82451202	400	216	769	79	60	F16	210	338	95	133.6	18.8**
813-0450-82451202	450	222	822	79	60	F16	210	395	118	168.0	32.2**
813-0500-82451202	500	229	911	79	60	F16	210	447	138	205.5	32.2**

* Standard with lever
 ** Standard with gear box
 NB: bare shaft optional

Notes:

- DN400 Flange holes can be elongated to suit DN375
- AS 2129 Table E drilling is available as an option with delivery lead-time depending on valve size required