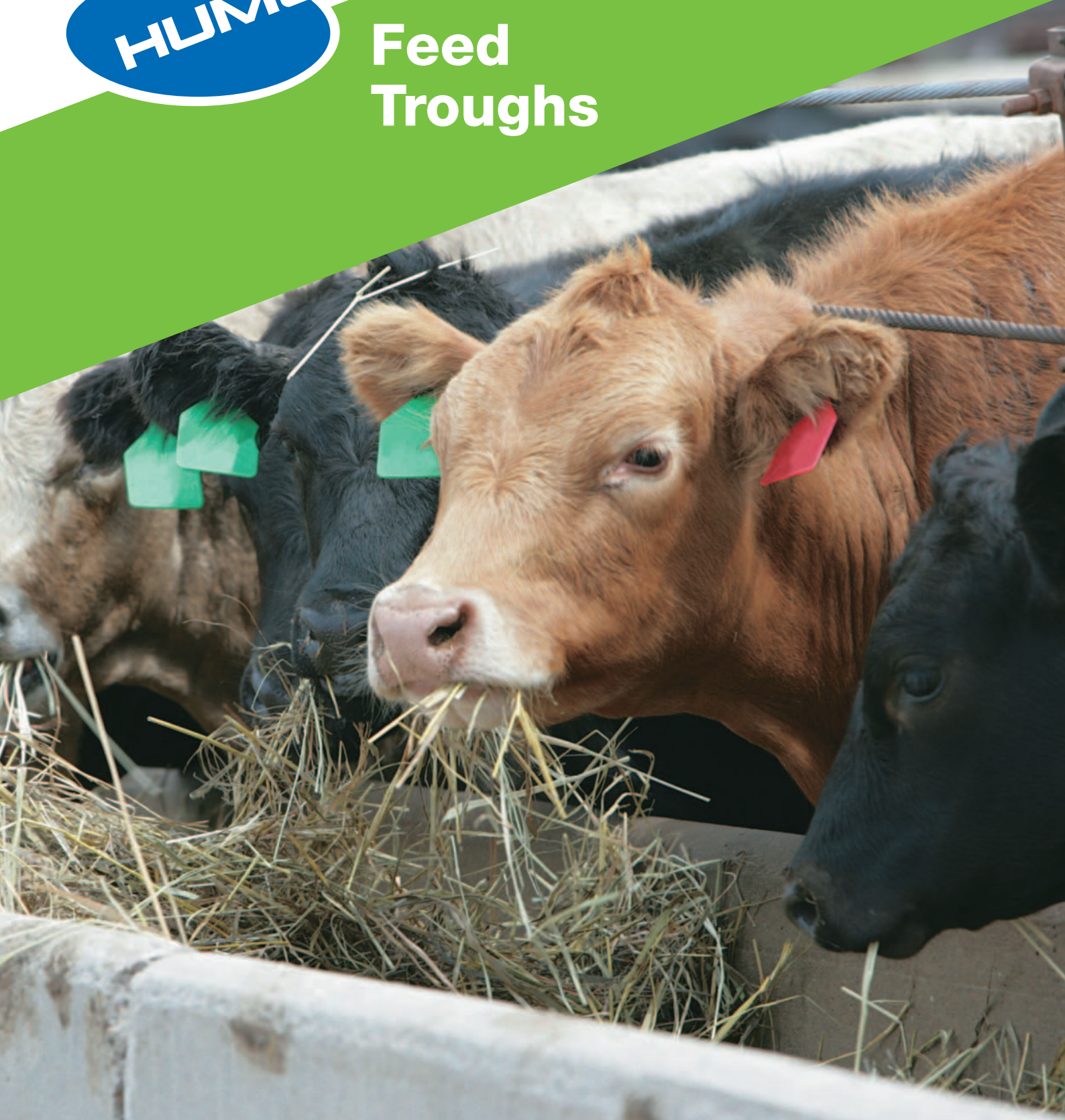




Feed Troughs



**An efficient and durable
stock feeding solution.**

Concrete Cattle Feed Troughs

The increased necessity to provide supplementary feed to dairy stock to ensure they reach and maintain optimum milk quality levels requires a simple but effective feeding solution.

The new Hume's feed troughs (available in a channels and end pieces) can meet the following requirements; quality product, portable, durable, easy to install, system of continuous channels, and safe for the stock and farmer.

Hume's pre-cast steel fibre reinforced concrete feed troughs are manufactured to a high standard and designed with durability/longevity in mind. The simple yet practical design means stock can feed from both sides if required and the high walls discourages stock from climbing into the troughs. The farmer also has the ability to add channels so feed troughs can meet all sizing requirements.

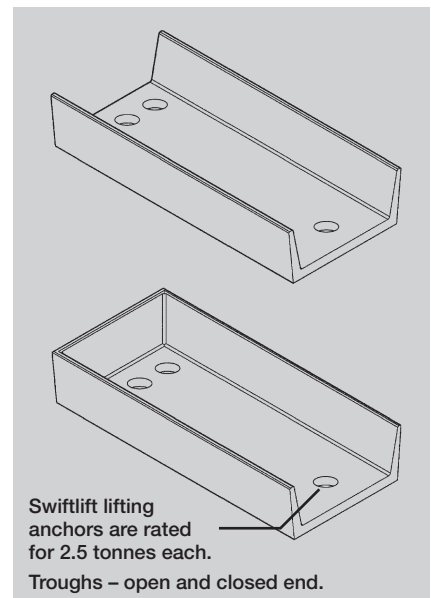
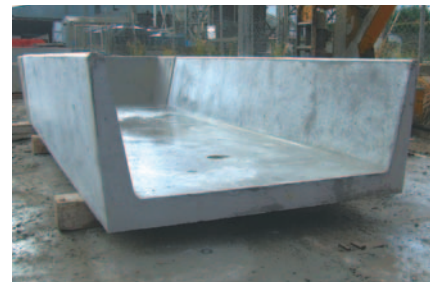
Installation and portability around the farm is made easier and safer with the inclusion of the Swiftlift™ lifting system. This system also means the feed troughs pieces are less likely to be damaged when being installed.

Feed Trough Range

	Feed Channel Middle	Feed Channel End
Item Code	05499	05498
Length (mm)	2600	2665
Width (mm)	1130	1130
Depth (mm)	510	510
Weight (kg)	1030	1110

Notes

- All dimensions are external
- Channels and ends are sold separately



Applications

Continuous feed troughs for cattle.

Standards

Manufactured to the highest standards of Humes product design and durability.

For further information or advice freephone
0800 502 112 or visit www.humes.co.nz

Buyers and users of the products described in this brochure must make their own assessment of the suitability and appropriateness of the products for their particular use and the conditions in which they will be used. All queries regarding product suitability, purpose or installation should be directed to the nearest Humes Sales Centre for service and assistance. Fletcher Concrete and Infrastructure Limited 2008. Printed 06/08.

