

Installation Procedure

Installation procedure

The contractor shall furnish all labour, materials, equipment and incidentals to install Enviropod catchpit inserts. The installation crew is responsible for adhering to all traffic control and health and safety regulations, including any confined space entry requirements.

Standard pre-cast catchpit Enviropod

Installation of the standard drop-in Enviropod is described in the following sequence.

1) Prepare filter cage

- a. The cage of the Enviropod is made up of two identical side pieces and one bottom grate.

Fig 1. One edge of the cage has locator nuts. These act as locators for the pins on the opposite edge.



Fig 2. The other edge has placement pins which will slot into corresponding locator nut.



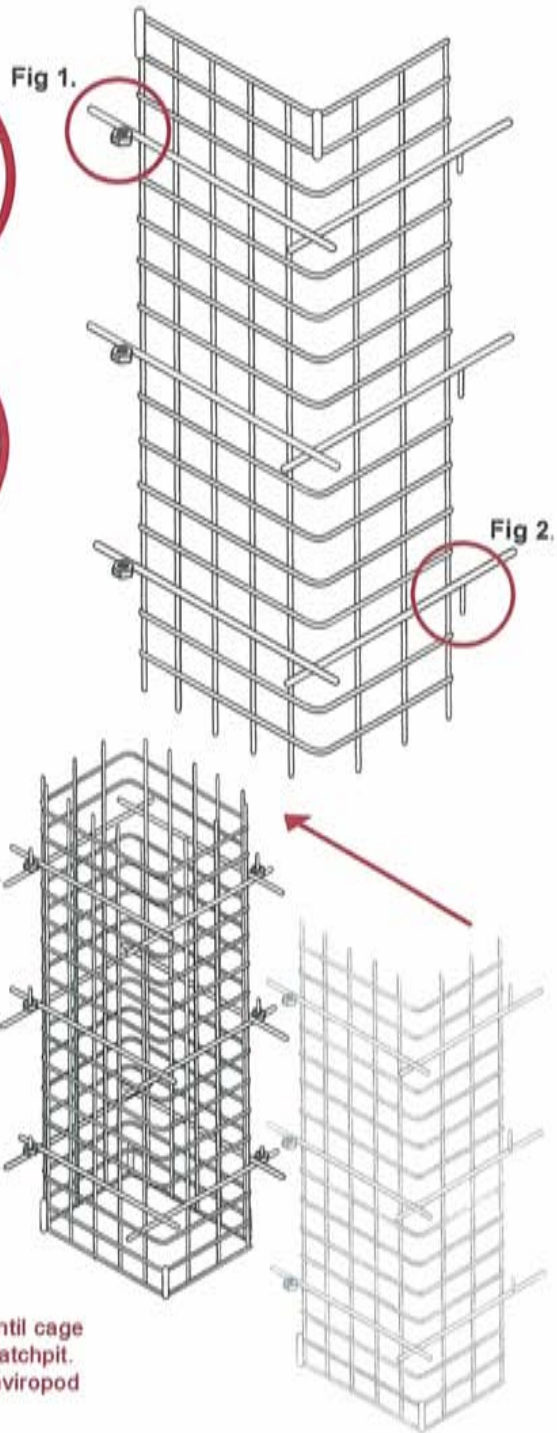
⚠ You will notice that the pins are staggered in length from the shortest at the top to the longest at the bottom. This is to aid in the connection of the two halves.

⚠ To connect the two halves it is easier to flip the cage pieces upsidedown so the pins are pointing up with the shortest pin at the bottom.

- b. Starting from the longest pin, slide the locator nuts over the pins until all pins are securely in place in corresponding locator nuts.



⚠ Don't insert base of cage until cage is measured and cut to fit catchpit. Refer to page two of the Enviropod installation manual.

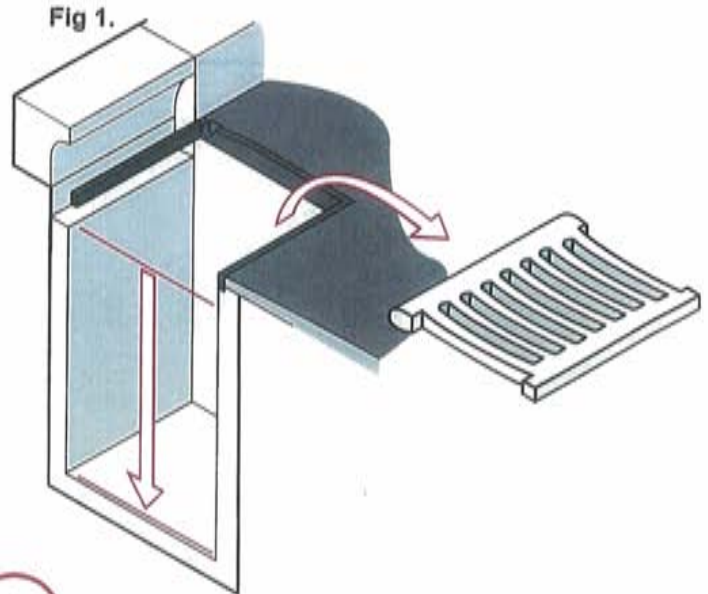
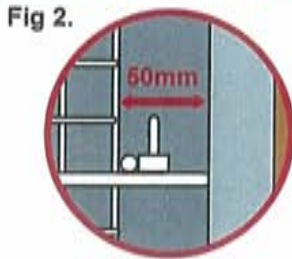


Installation Procedure

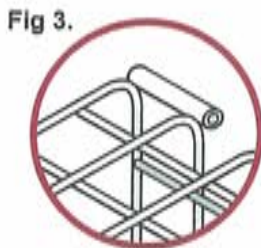
2) Measure and cut cage

- a. Open the catchpit grate and measure catchpit depth from top of the sump as shown (Fig 1).

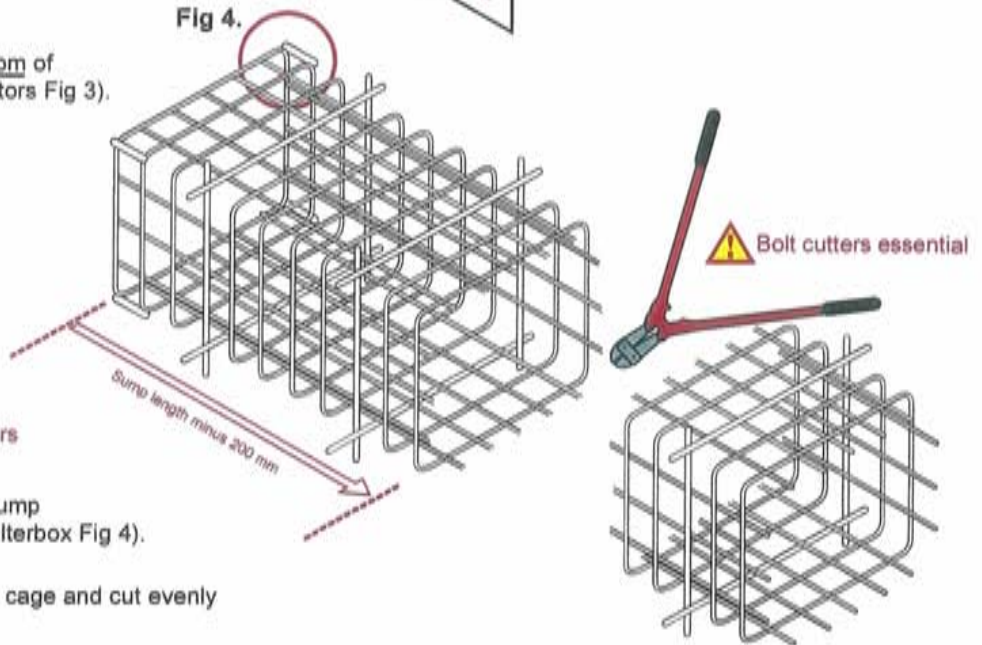
It is important to note that the gap between the filter cage and the catchpit wall (Fig 2) must be equal or over 50mm to ensure adequate flow around the filter.



- a. Ensure to cut from the bottom of cage (top has filterbox locators Fig 3).



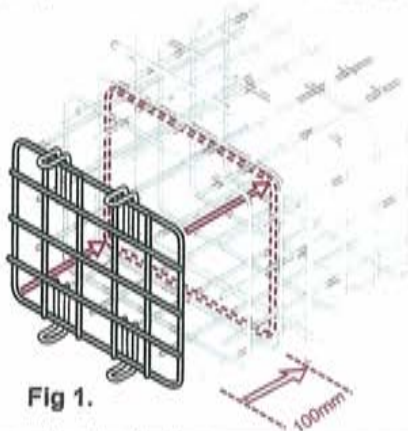
Top has filterbox locators



- b. Subtract 200mm from the sump measurement (to allow for filterbox Fig 4).
- c. Measure from the top of the cage and cut evenly

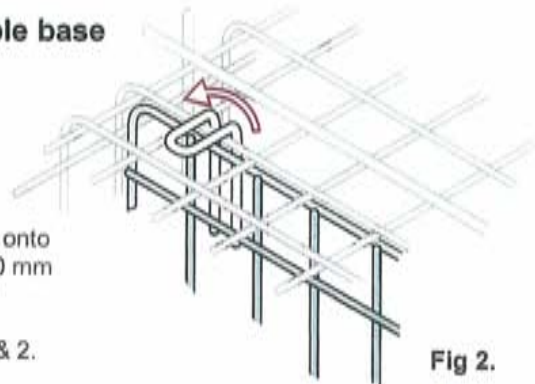
EXAMPLE

Sump measurement = 900mm. Subtract 200mm to allow for filterbox. Total cage length = 700mm



3) Position removable base

- a. Clip removable base onto cage approximately 100 mm from bottom of cage, or higher if dry sump is required, refer to Fig 1 & 2.



Installation Procedure

4) Prepare deflector panels

- a. Enviropods are shipped with oversize deflector panels Fig 1. The deflector panels are cut with a box-knife and a straight edge to fit the pit opening. Allow approximately 20mm per panel over and above the pit dimension to ensure deflector panels seal against the pit walls at an angle to assist flow into the filterbox.

Fig 1.

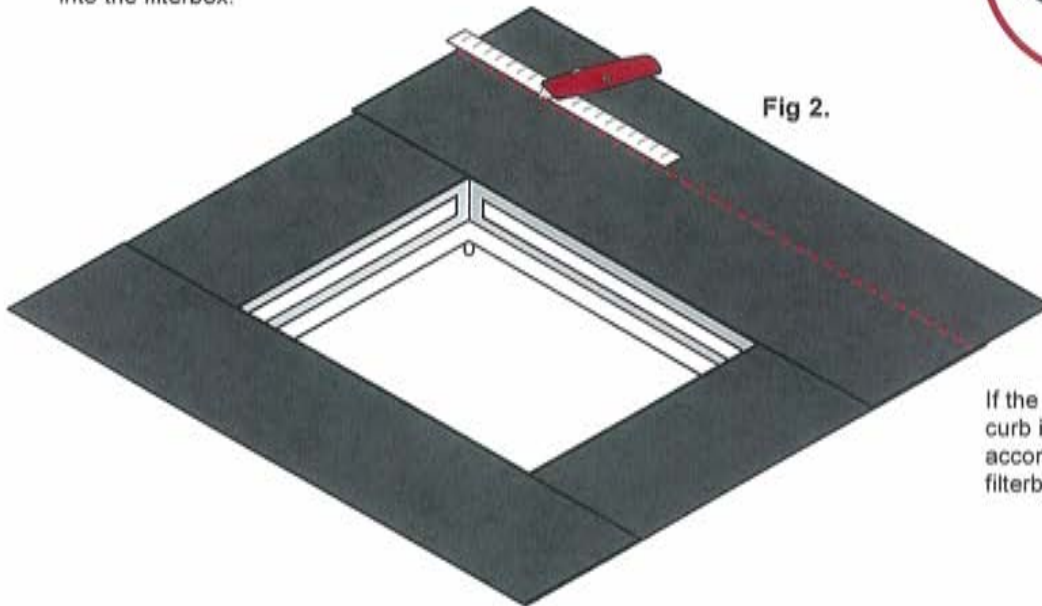


Fig 2.

If the sump does not have a curb inlet, cut panels accordingly, to center the filterbox Fig 2.

- b. Place deflector panel over open sump to get an indication where to cut plastic (Fig 3). If the catchpit is a curb inlet pit, position with large panel below the curb inlet to ensure all flow will be diverted into the filterbag (Fig 4).

Fig 4.

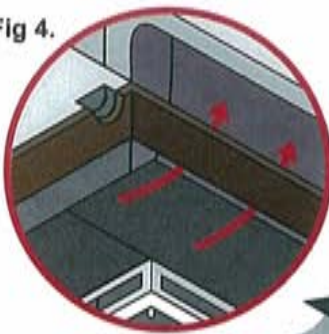
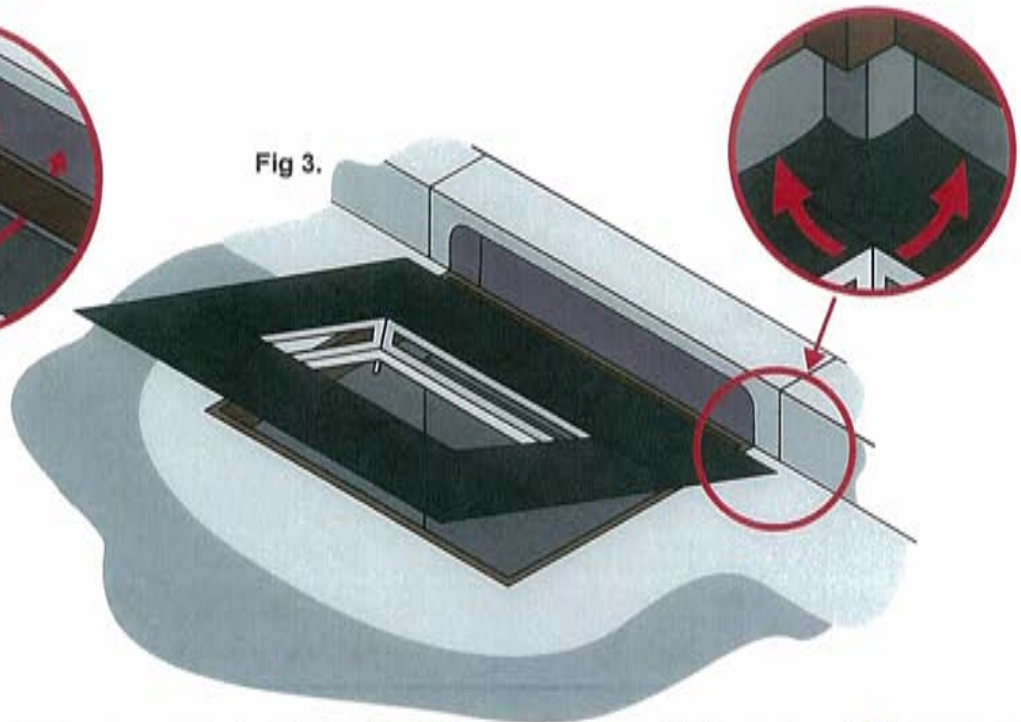


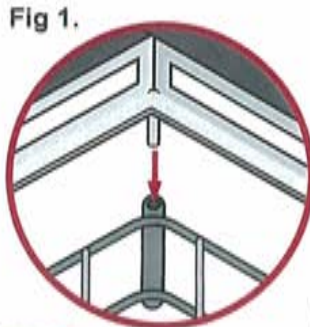
Fig 3.



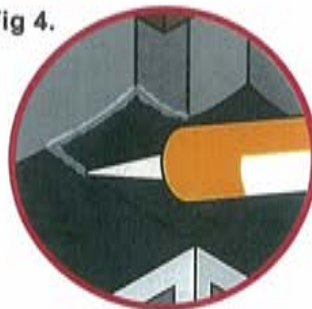
Installation Procedure

5) Final preparation and install

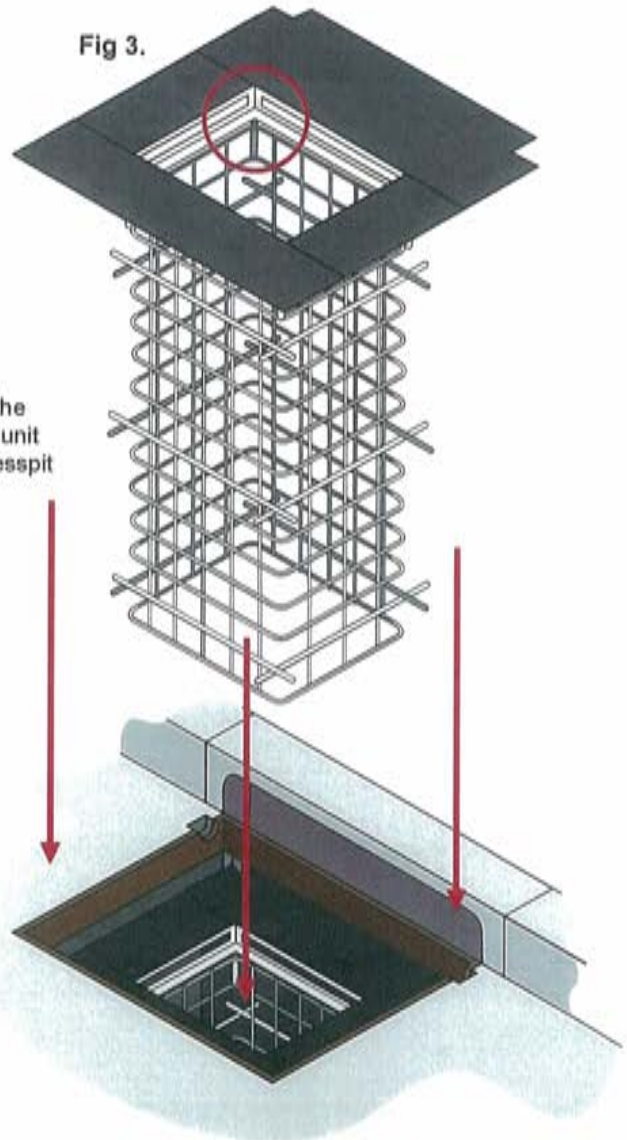
a. Place filterbox into locator tubes at the top of the cage Fig 1 & 2.



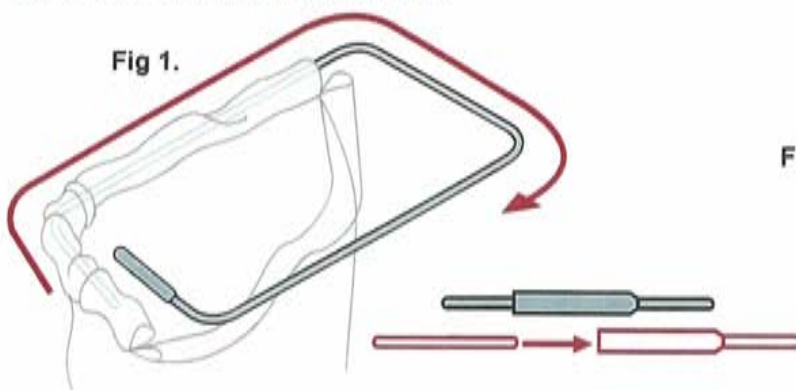
c. Apply polyurethane sealant if necessary to ensure a watertight seal around the filterbox Fig 4.



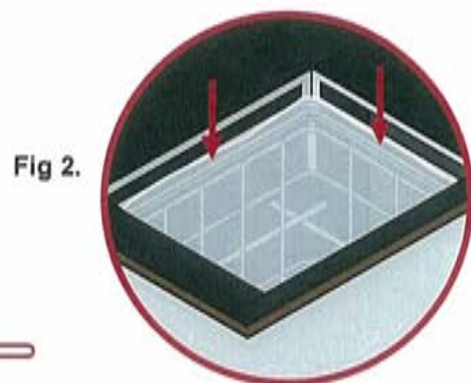
b. Drop the entire unit into cesspit Fig 3.



6) Prepare and install filterbag



a. Thread EnviroPod Filterbag onto stainless steel ring. Ensuring the loose ends of the ring are joined together in the connector tube Fig 1.



b. Place the bag into the filterbox making sure the ring is seated evenly on the filterbox support lip then close catchpit grate Fig 2.